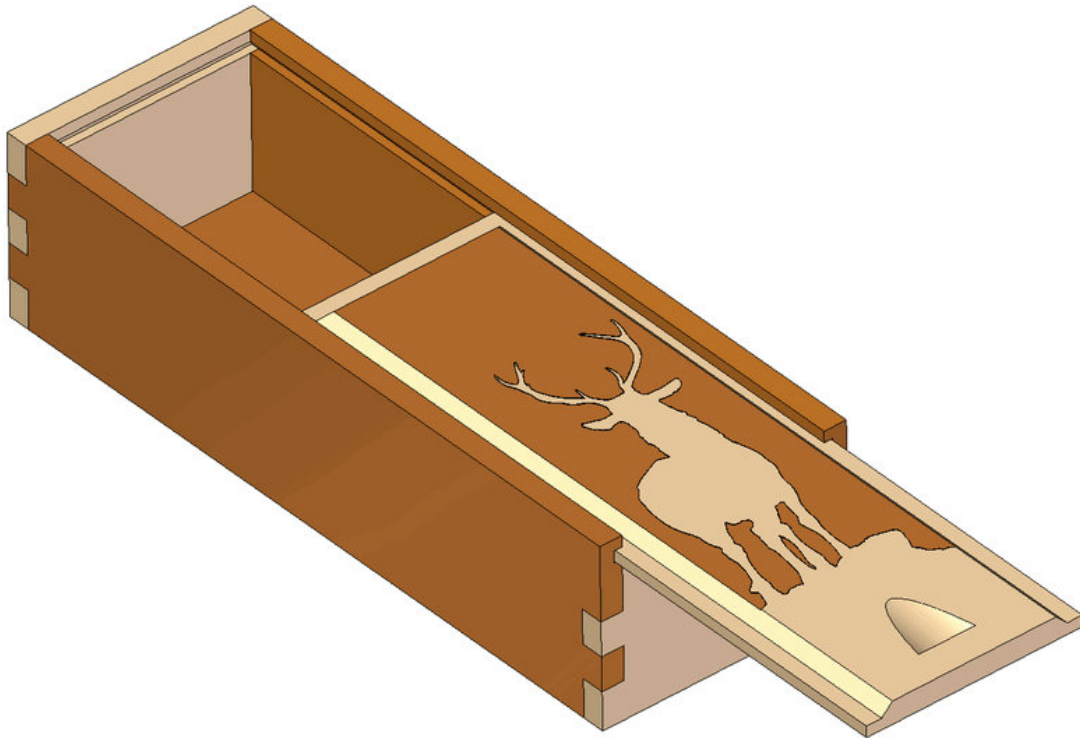


Sliding lid box with box joints plan

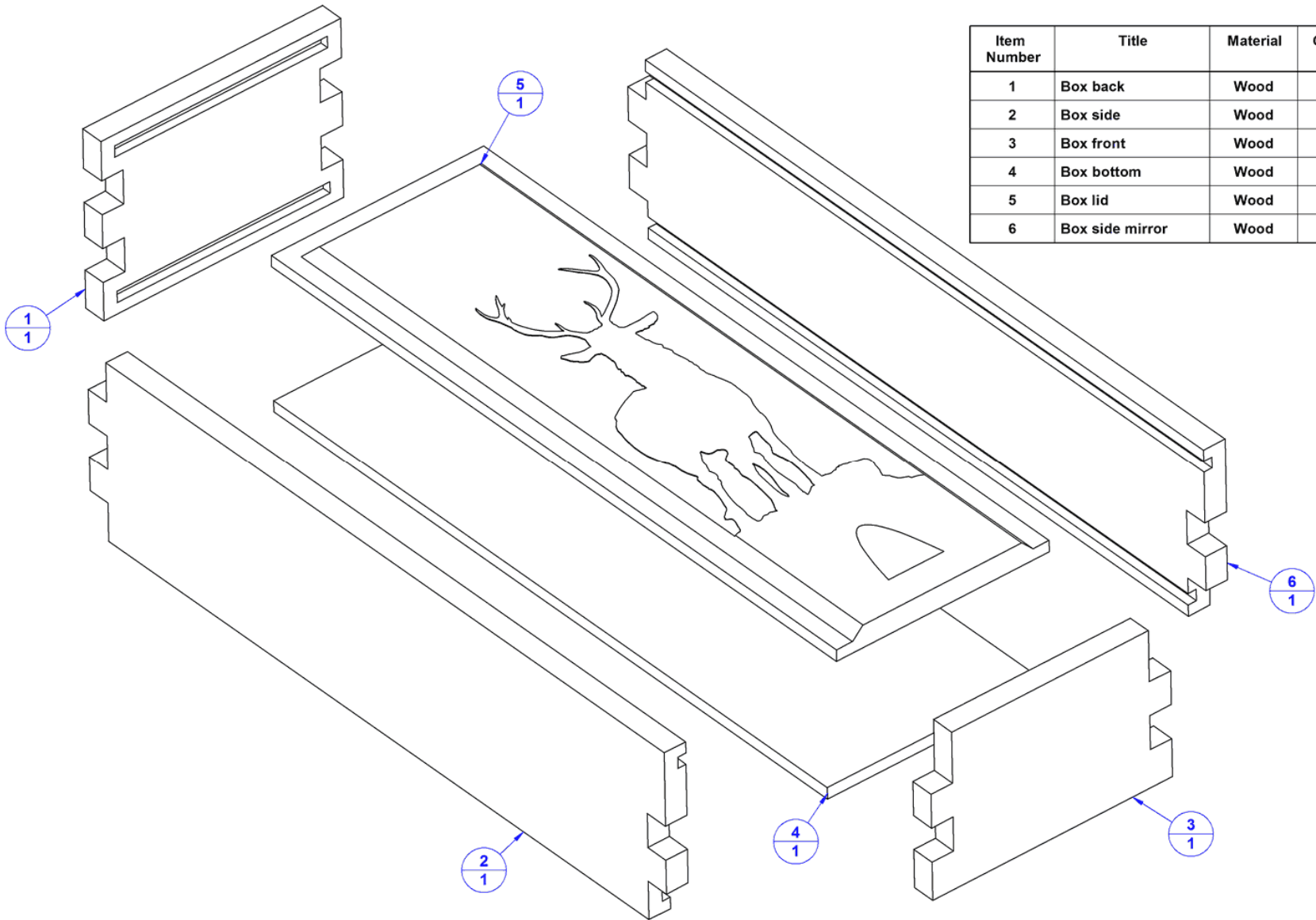


If you decide to download the slide lid box plan, you will be amazed, how fun and easy is to make this wooden decorative box. So, you can make it for yourself, and keep various gadgets in it, or even better, you can give it to someone as a present. For example, if you have a friend that likes cigars, it can be a cabinet box (cigar box) for him, or if you have children, it can serve them as a wooden pencil box, or a toy box even. Imagine, how great it would look, if you make several of these slide lid boxes and line them up one to another on a shelf, but each box will have different ornament on its lid. Beautiful.

Also, you can easily adjust construction to your needs by changing dimensions.

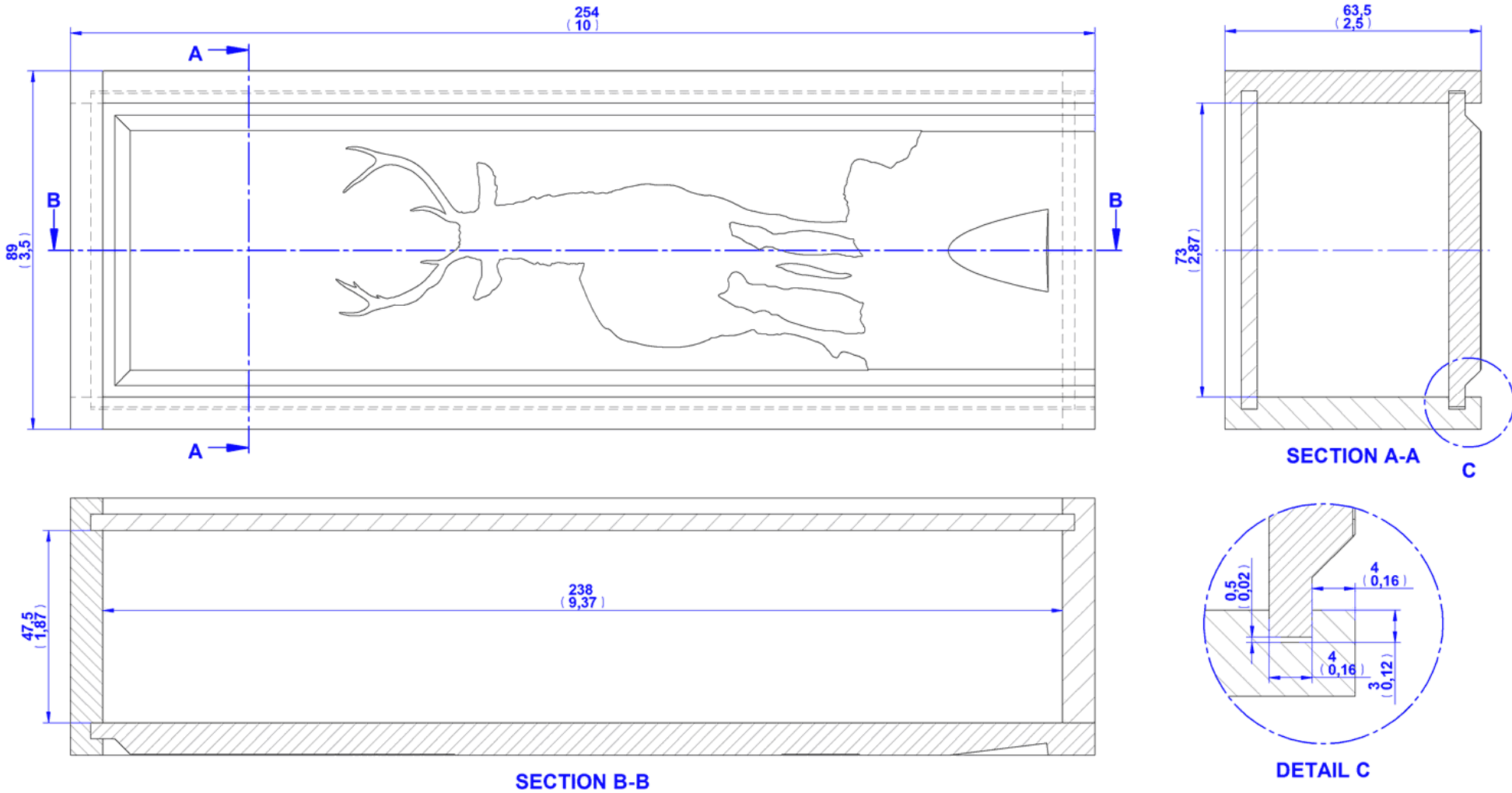
The measurements are given in millimeters, while the measurements given in inches are in brackets (1 inch = 25, 4 mm).

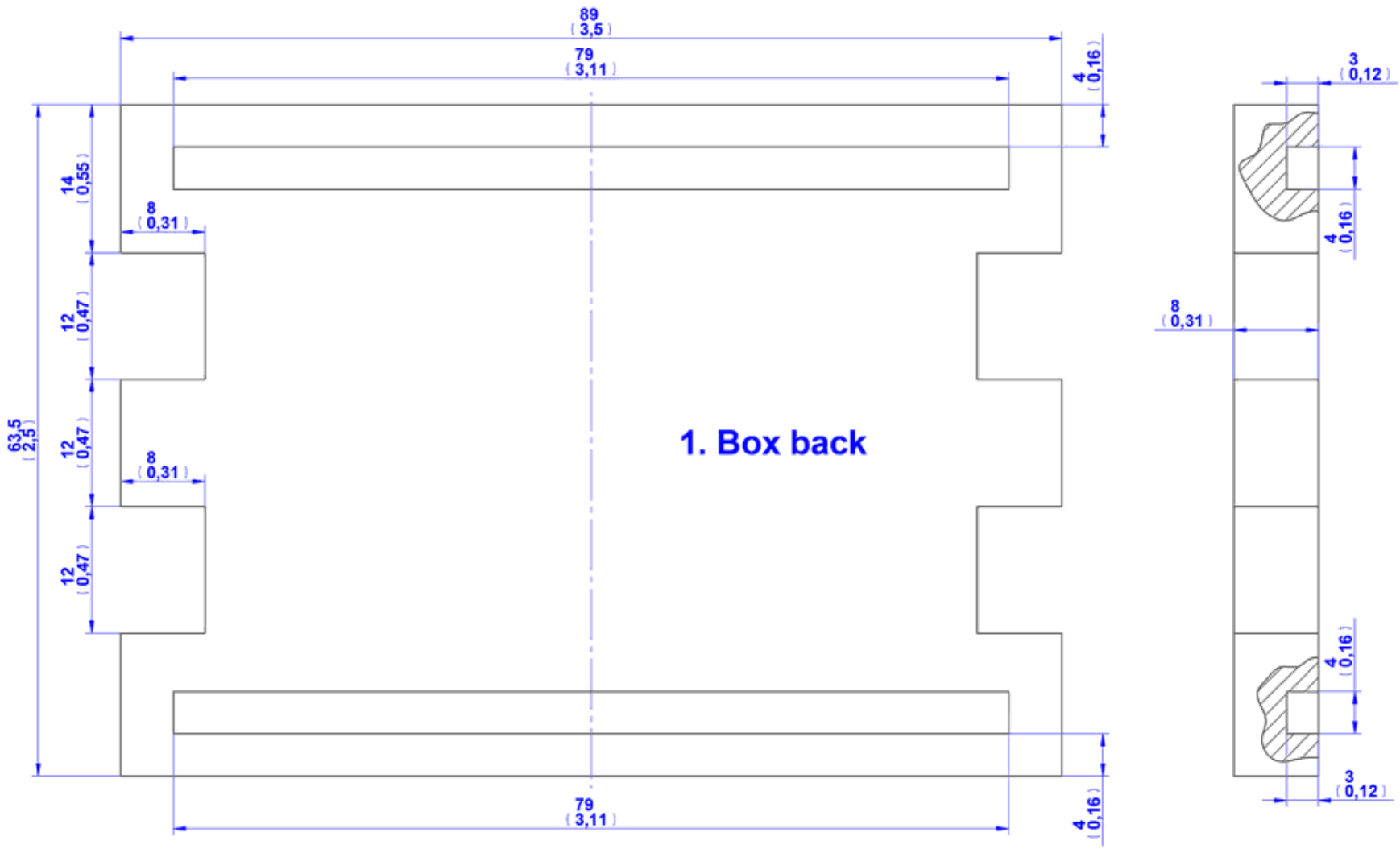
Slide lid box plan – Parts list

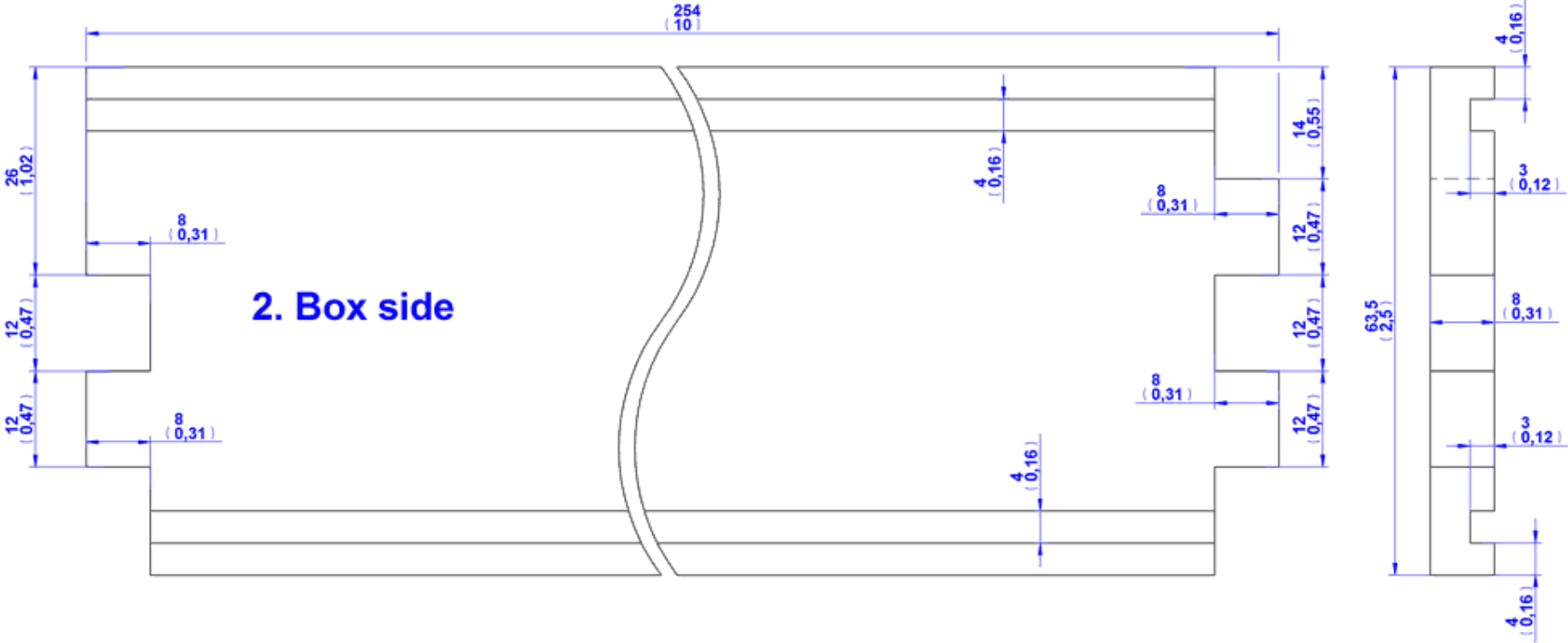


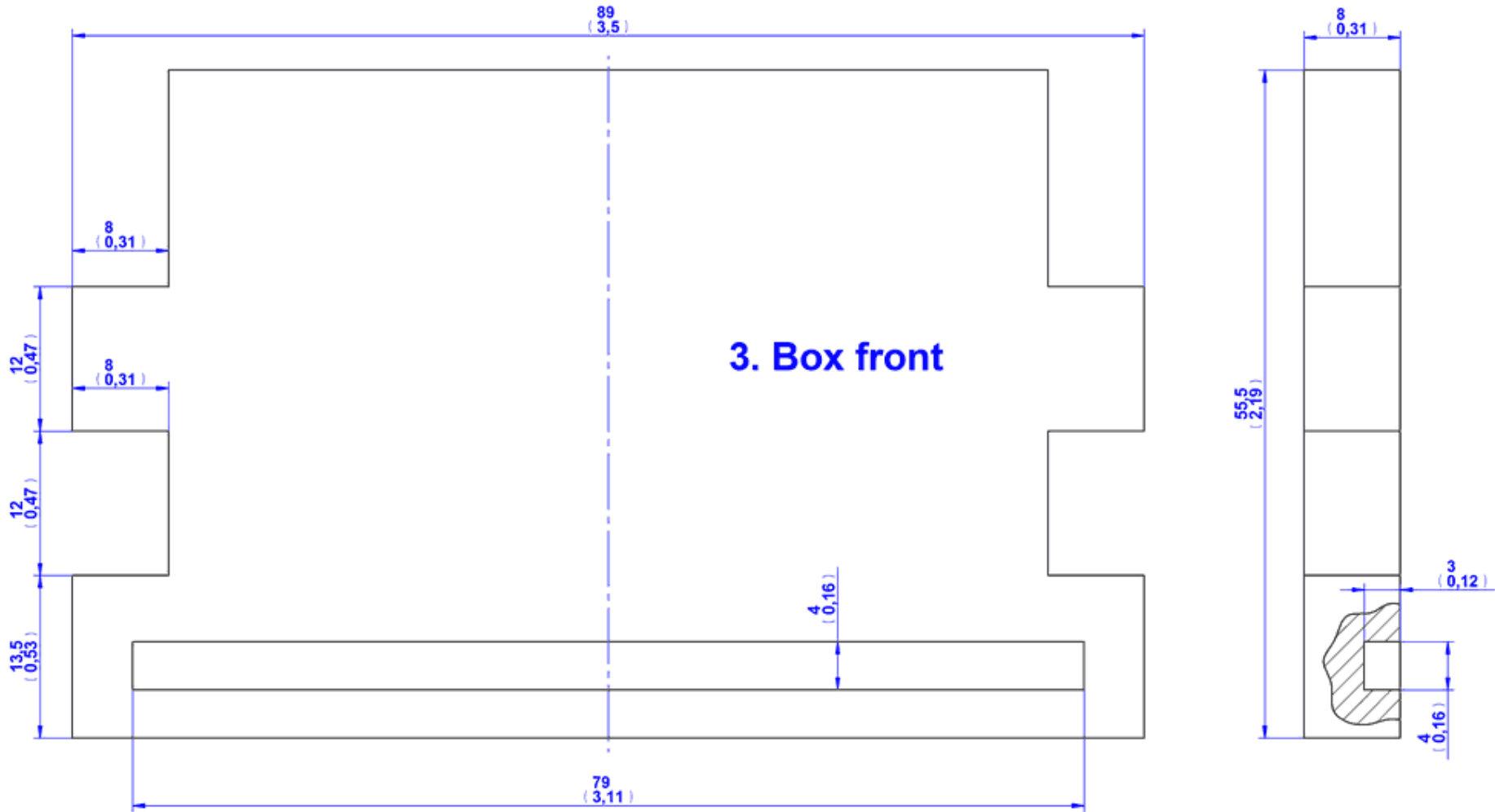
Item Number	Title	Material	Quantity
1	Box back	Wood	1
2	Box side	Wood	1
3	Box front	Wood	1
4	Box bottom	Wood	1
5	Box lid	Wood	1
6	Box side mirror	Wood	1

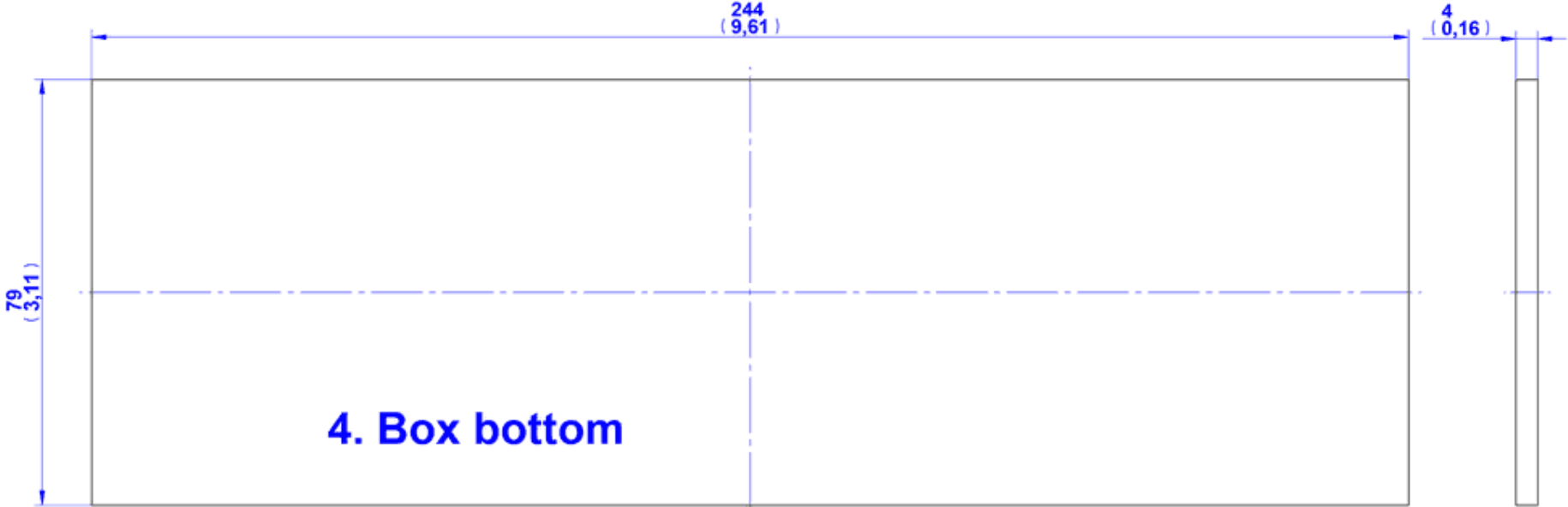
Slide lid box plan – Assembly 2D drawing





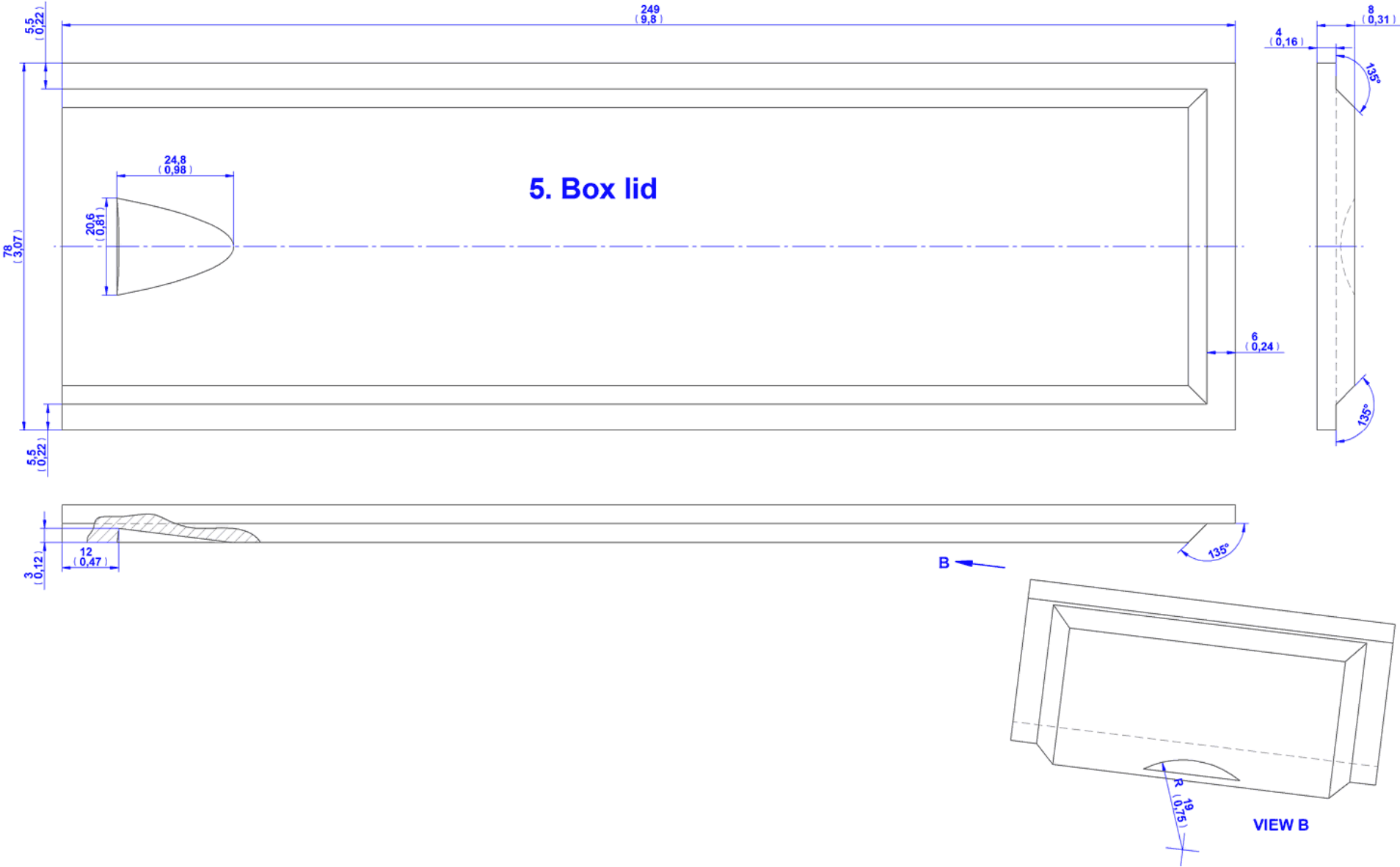


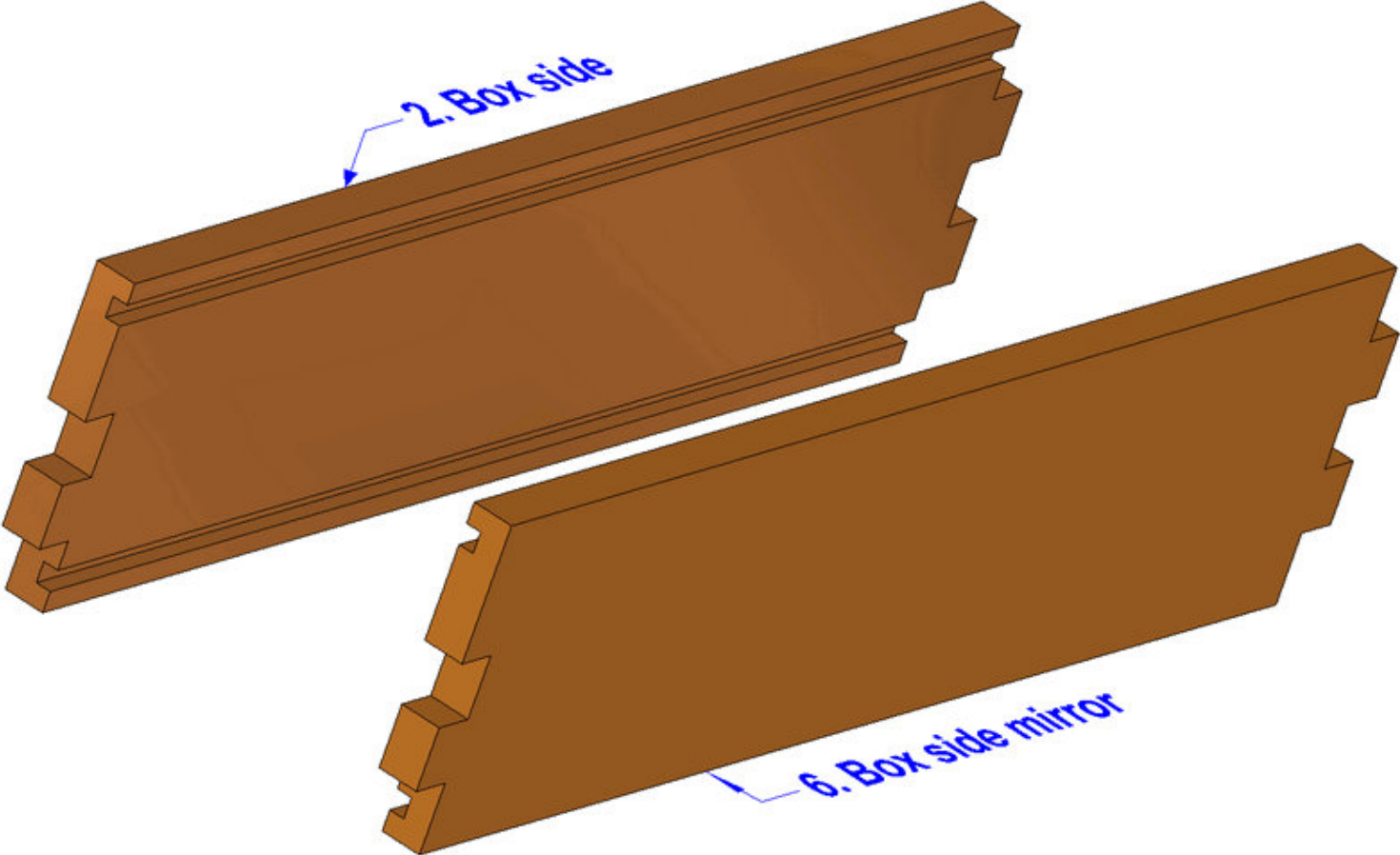




4. Box bottom

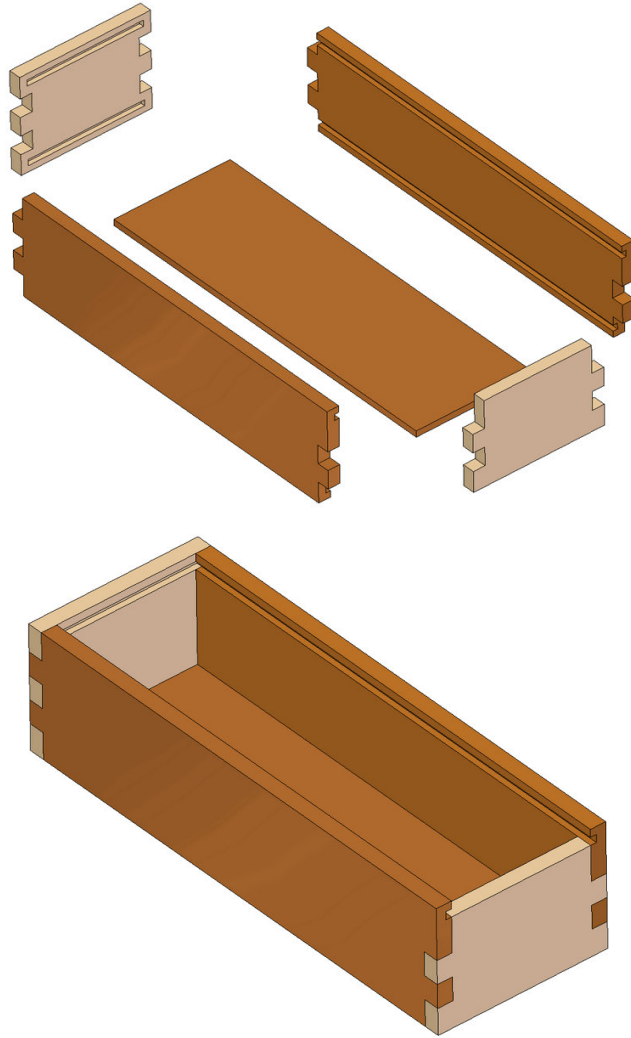
5. Box lid





Assemblage instructions

1. Glue the Box Back (part 1), Box Side (part 2), and the Box side Mirror (part 6), Box Bottom (part 4) and the Box Front (part 5) together.



2. Take the sand paper and sand the the Box Lid (part 5) edges, so they can slide inside the Top Groove. With some of the decorating techniques like marquetry, painting, woodburning... beautify the Box Lid (part 5).

