

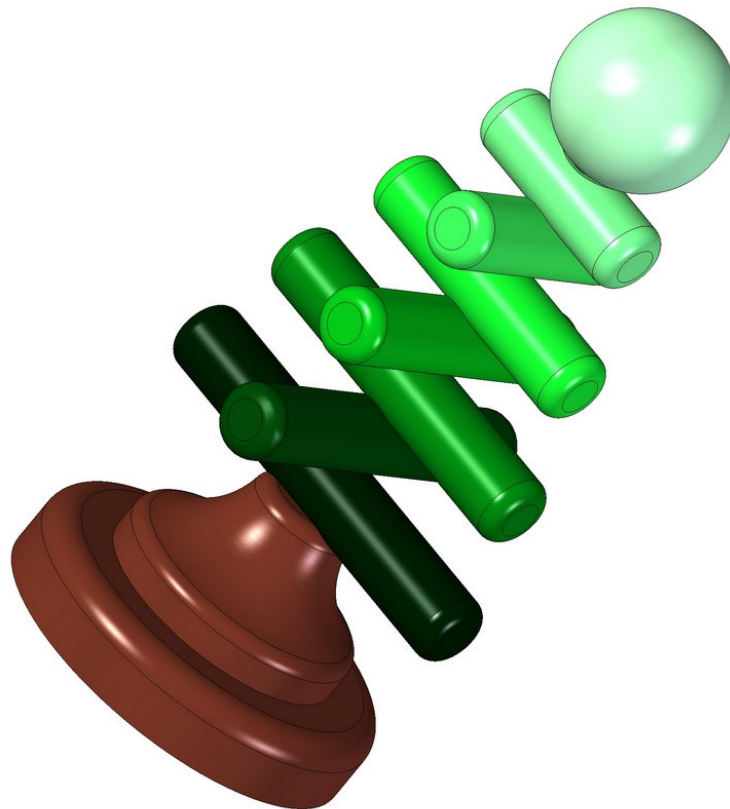
Stacking tree toy

Stacking toys are dedicated to the children aged between one and two years. This is a period of life when children develop their motor and perceptual skills enough to start playing with stacking toys. Stacking toys stimulate children's abilities in mastering of precision, aspect ratio and solving small problems.

A good toy for this development stage has to be simple, colored in bright colors, without sharp edges and consisted of parts larger than 5 cm (2 in), to avoid accidental swallowing. Wood is an ideal material for such toys, because it is natural, free of any potentially toxic chemicals. You should pay a special attention on colors – choose only paints labeled as kids safe.

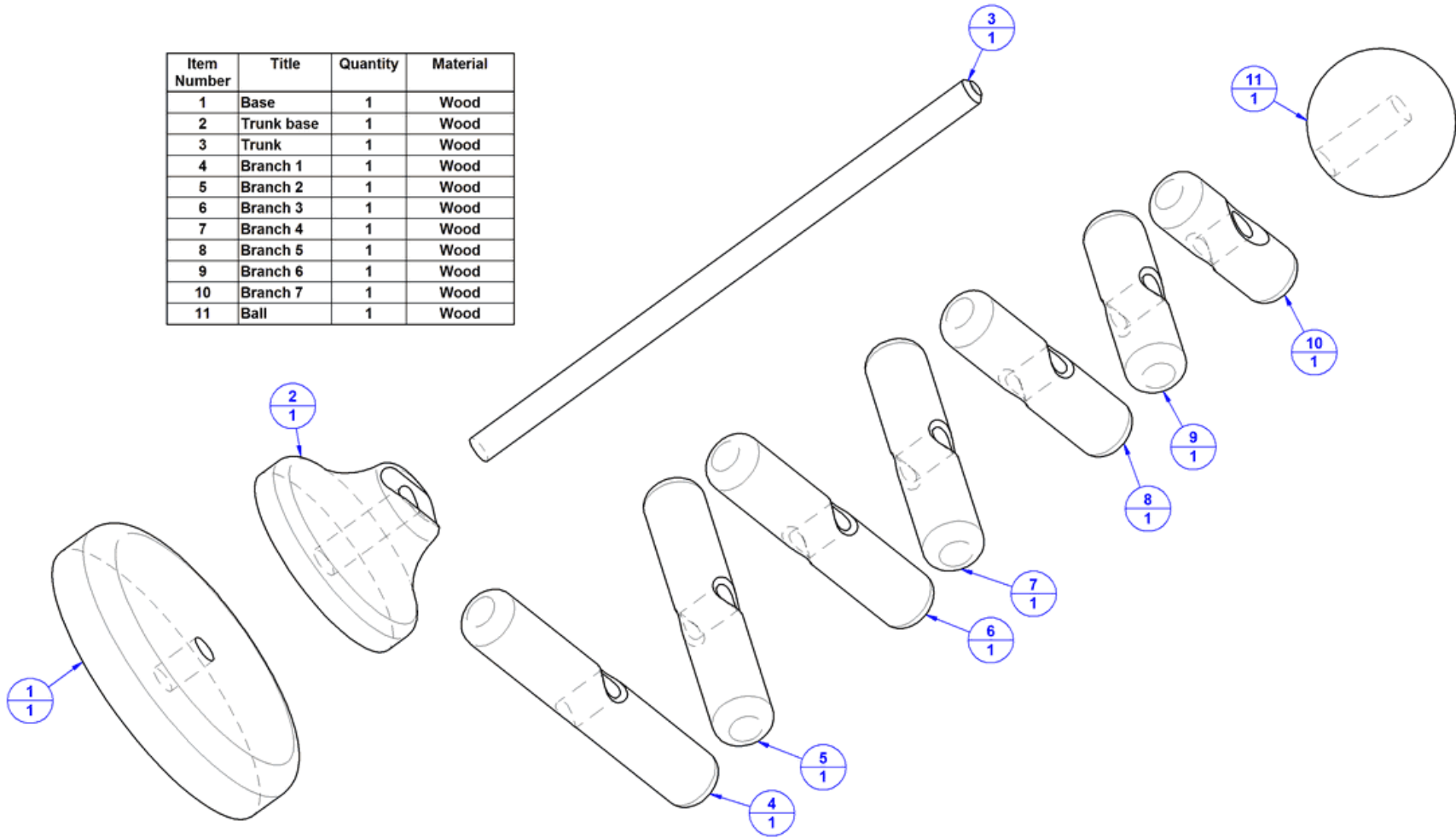
Here we present a plan for Stacking tree toy. Dimensions of the parts are designed to meet all safety requirements for toys intended for small children. Overall height of tree is 245mm, the smallest part is 63mm long and diameter of parts is 22mm – suitable for small hands. The toy is intended to be manufactured out of wood. We suggest choosing some light hardwood, which can be sanded and finished easily to achieve a perfect smooth surface. It is very important, because any splinters can cause injuries.

Give this toy to the child only if you are sure that he/she is mature and developed enough for such kind of toys and supervise your child during playing.

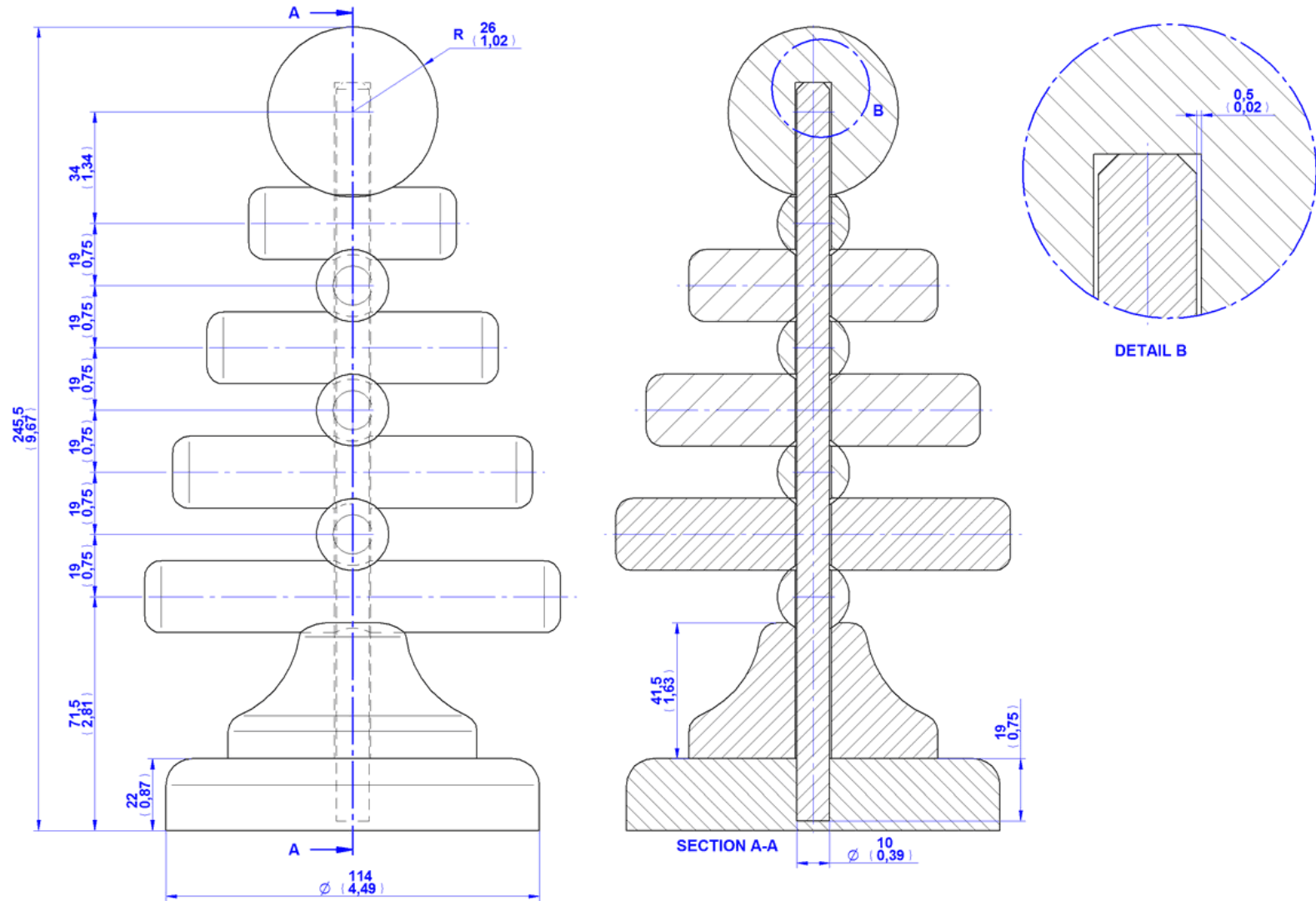


Stacking tree toy - Parts list

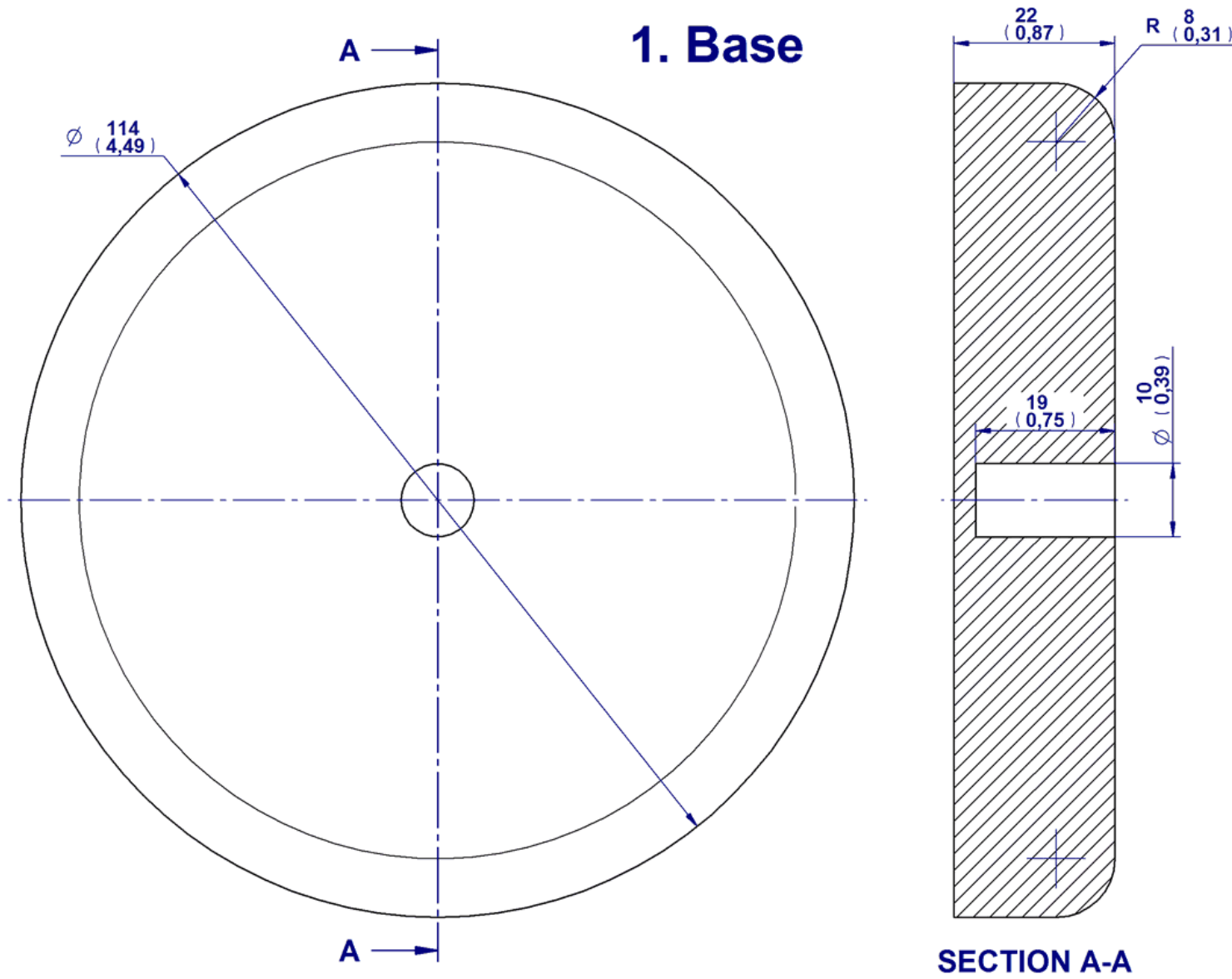
Item Number	Title	Quantity	Material
1	Base	1	Wood
2	Trunk base	1	Wood
3	Trunk	1	Wood
4	Branch 1	1	Wood
5	Branch 2	1	Wood
6	Branch 3	1	Wood
7	Branch 4	1	Wood
8	Branch 5	1	Wood
9	Branch 6	1	Wood
10	Branch 7	1	Wood
11	Ball	1	Wood



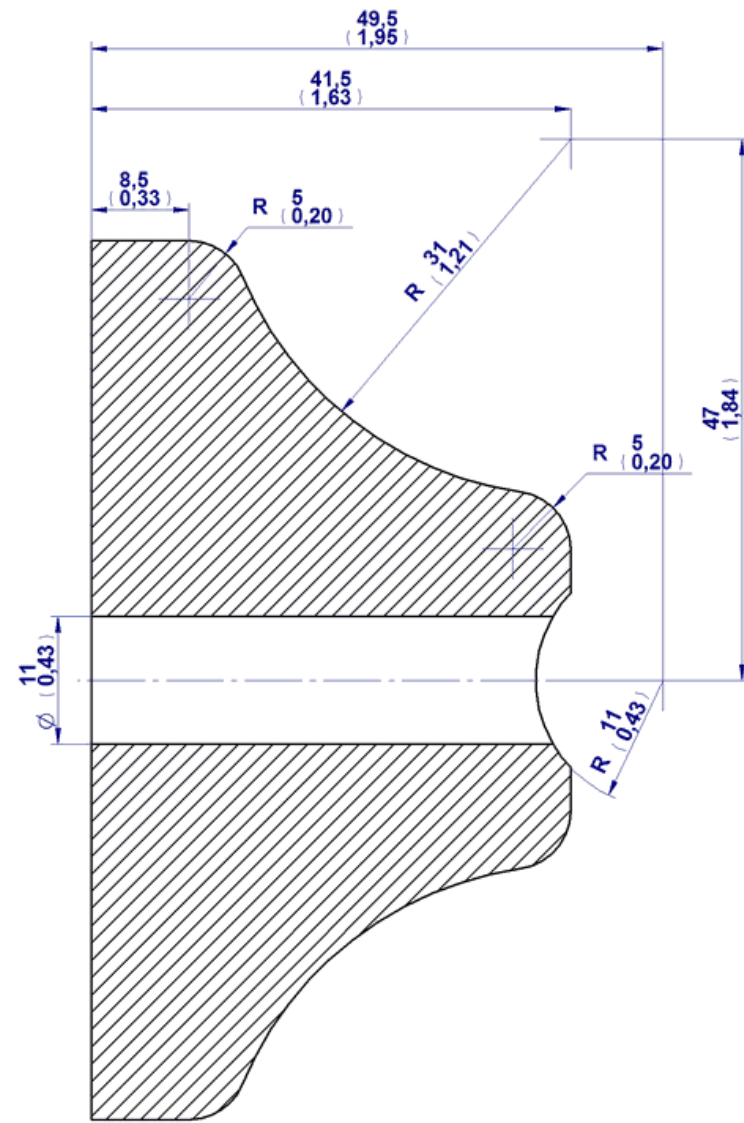
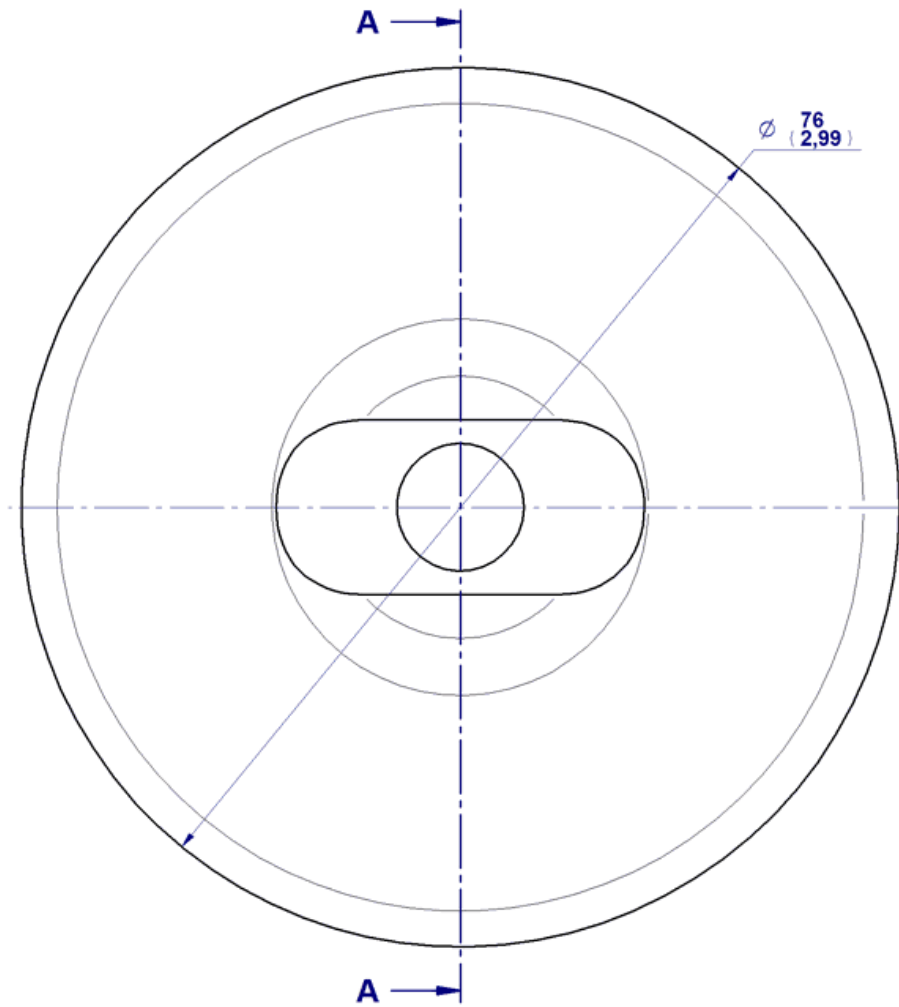
Stacking tree toy - Assembly drawing



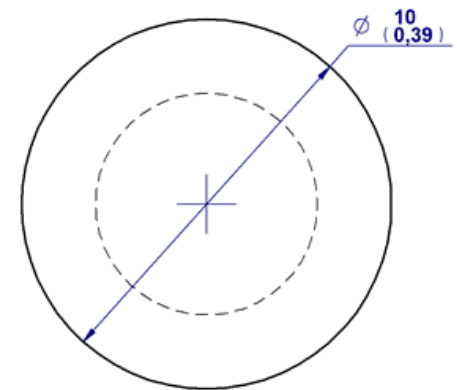
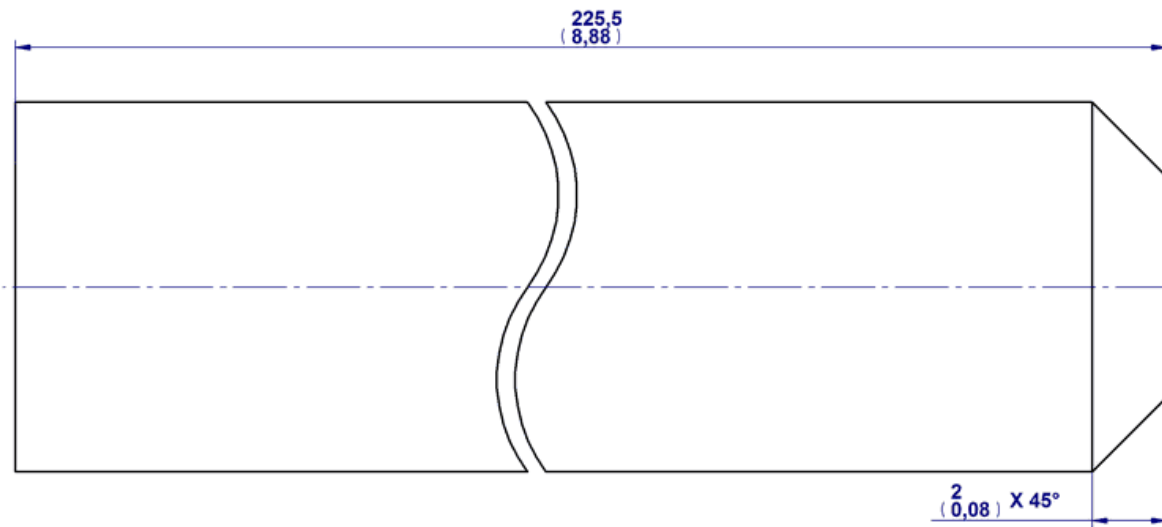
1. Base



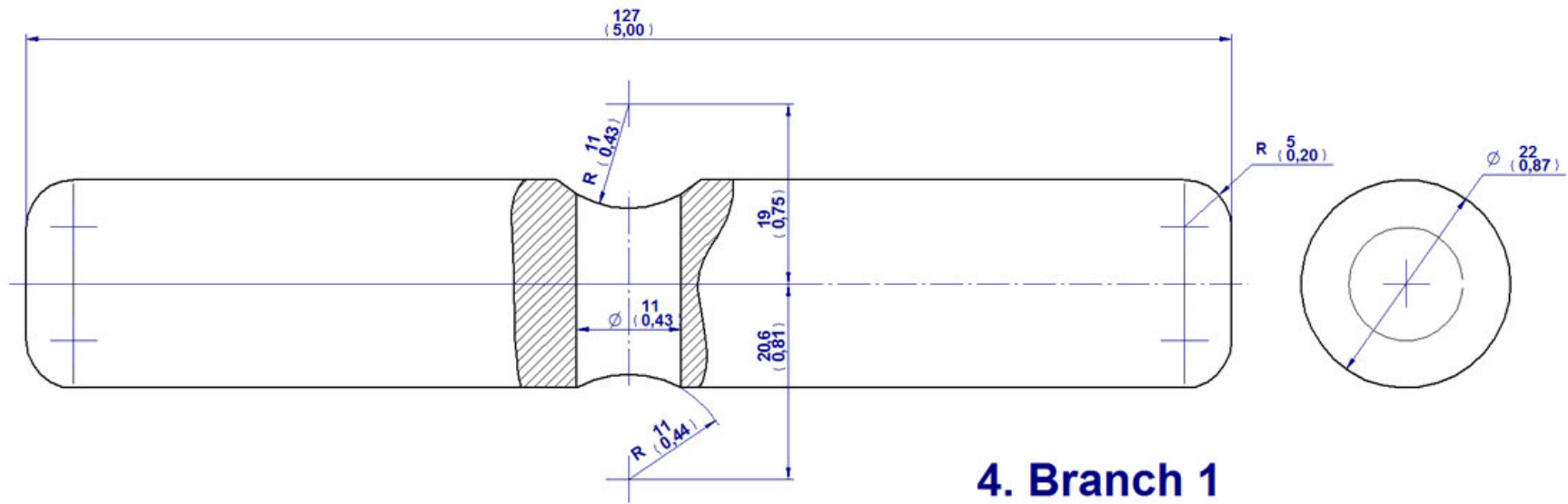
2. Trunk base

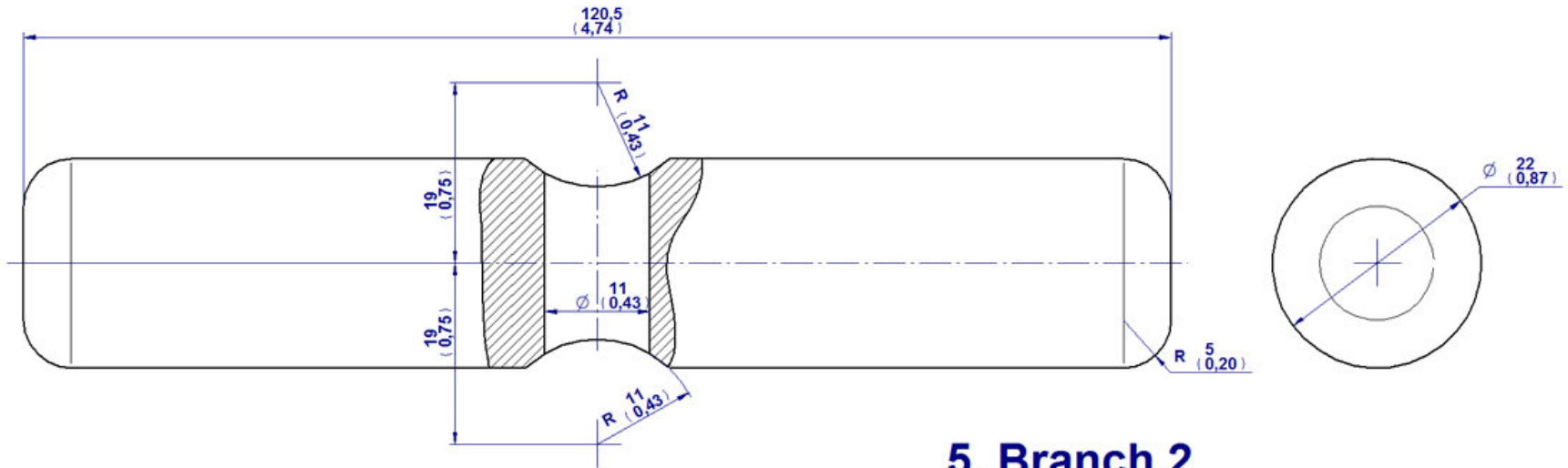


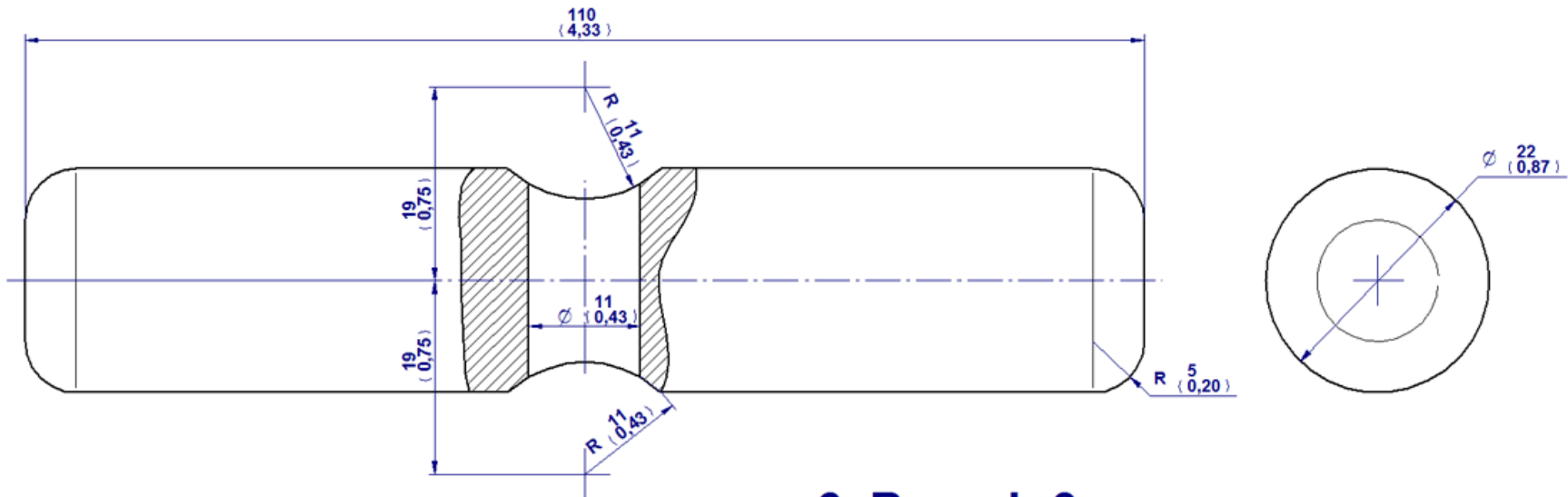
SECTION A-A



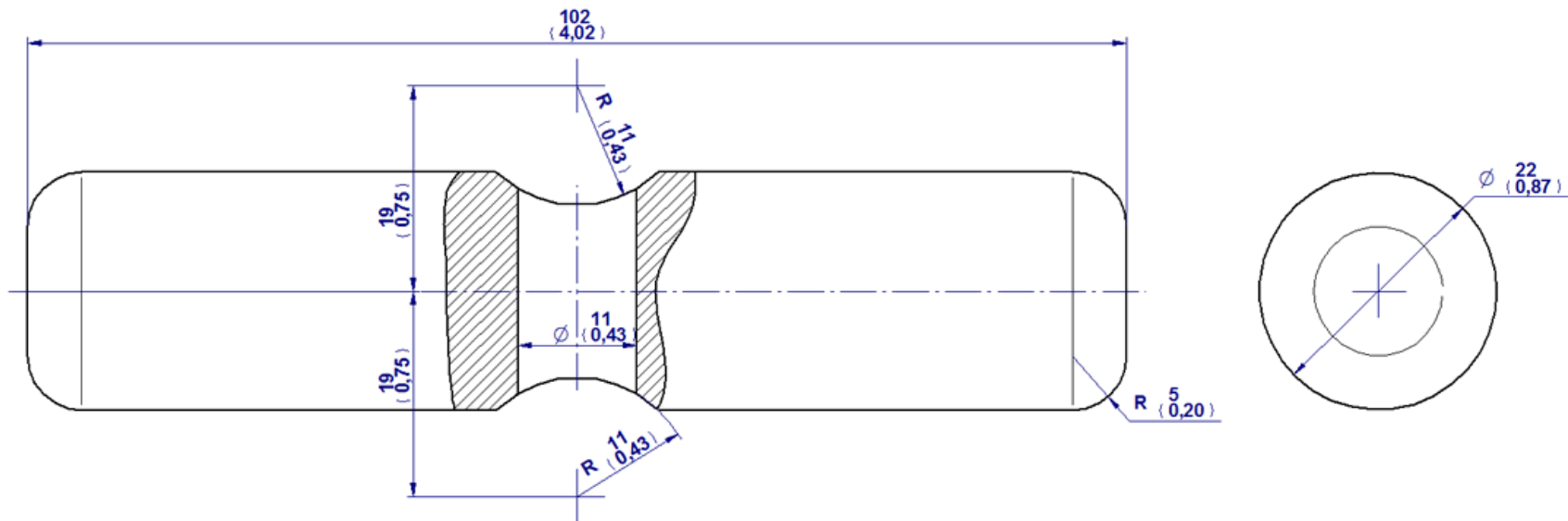
3. Trunk



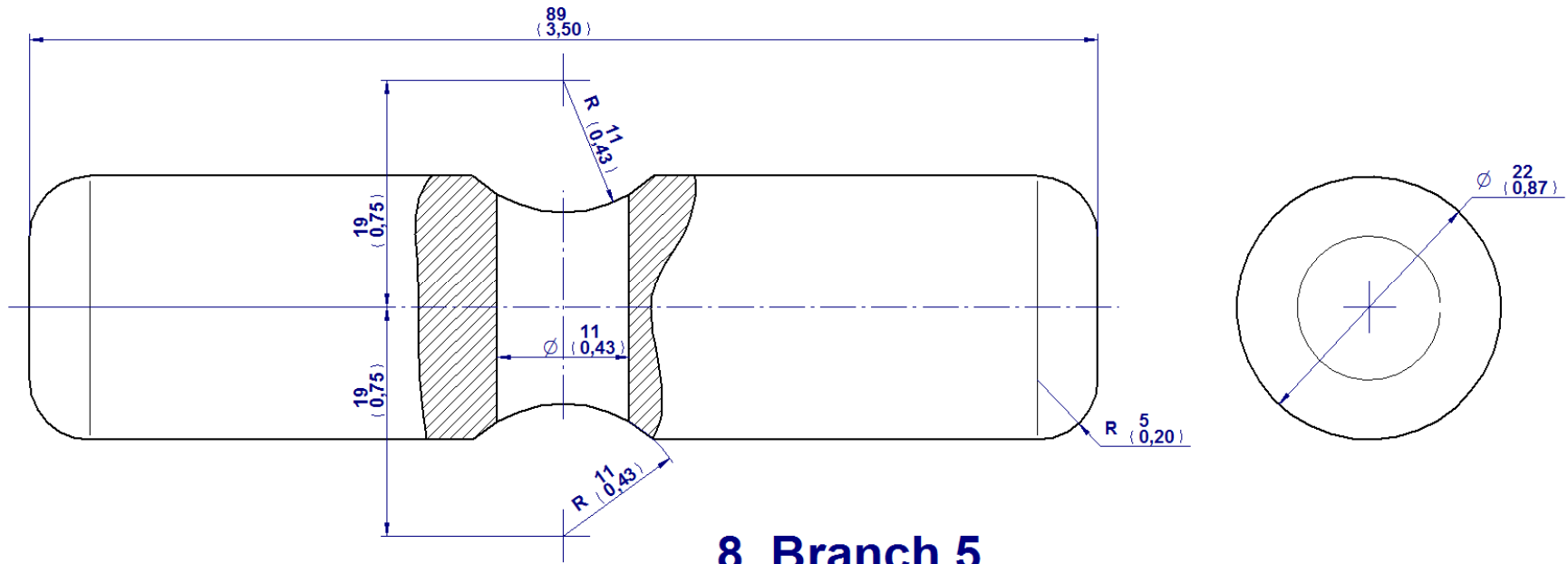




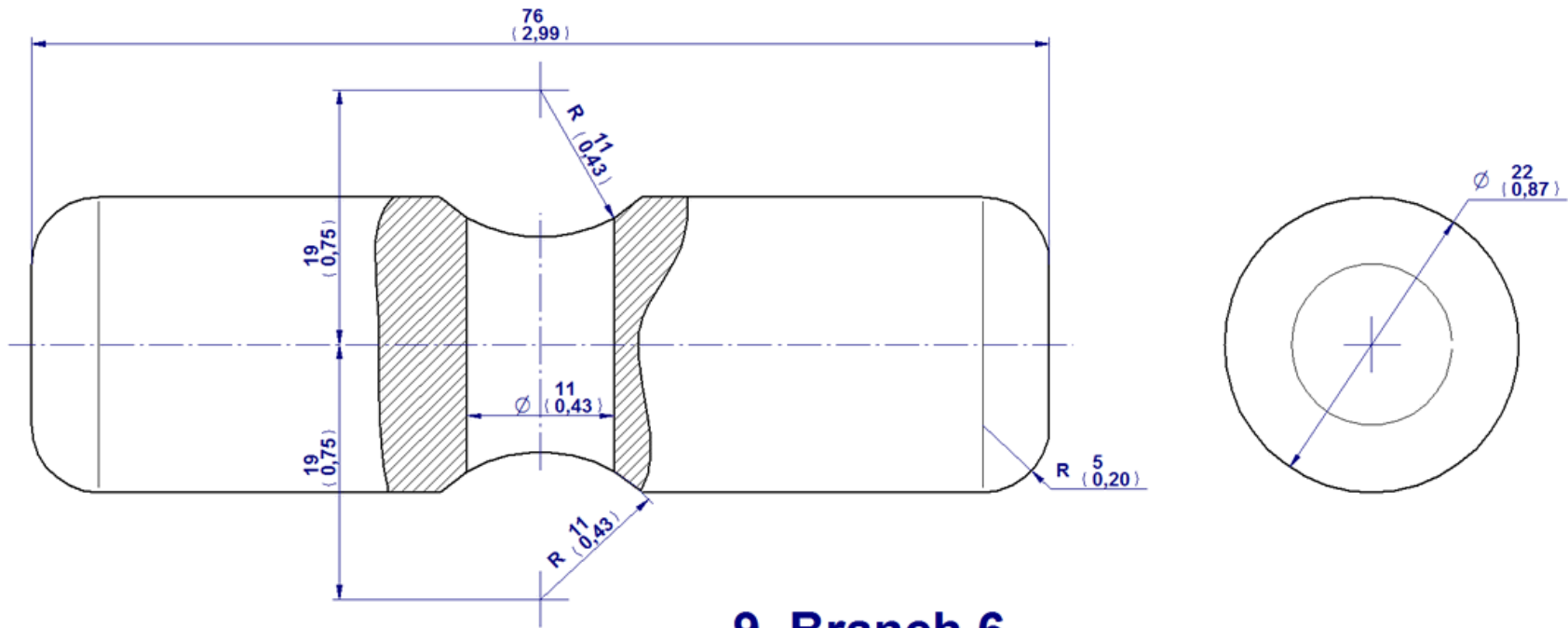
6. Branch 3



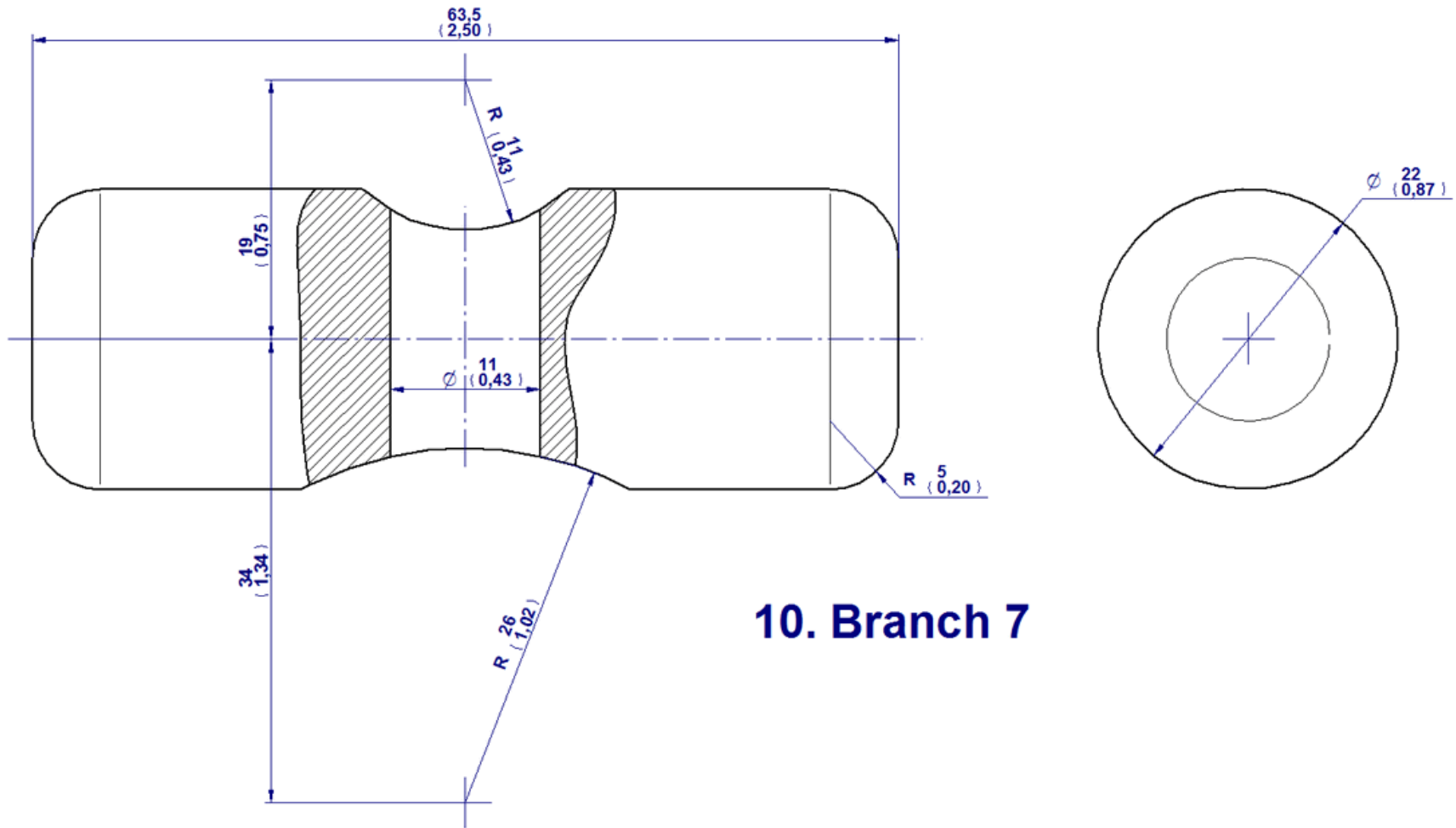
7. Branch 4



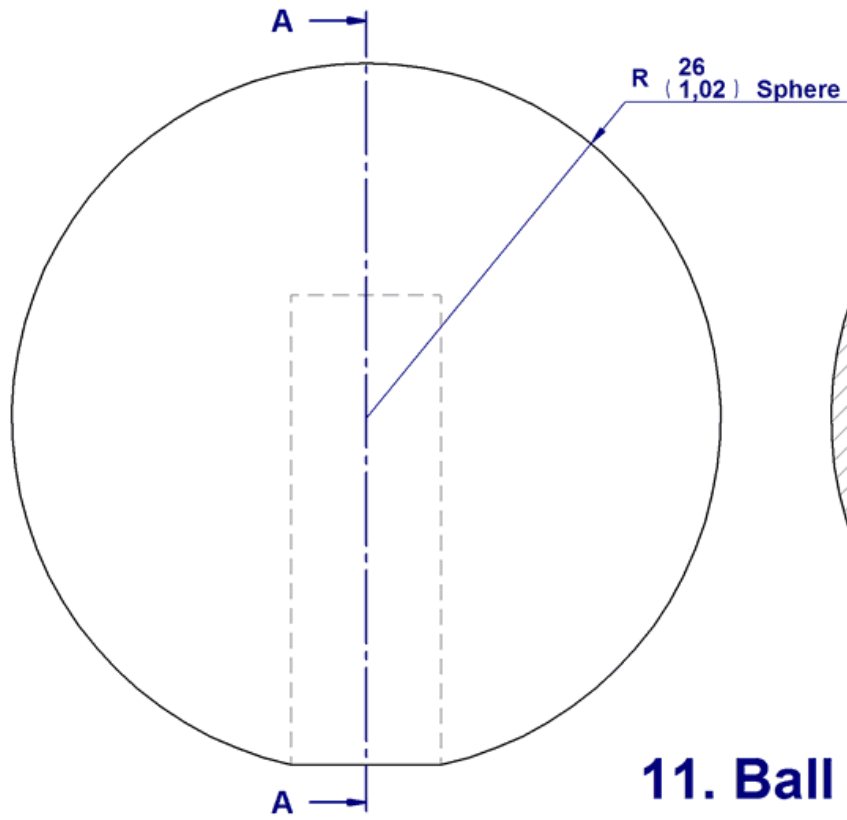
8. Branch 5



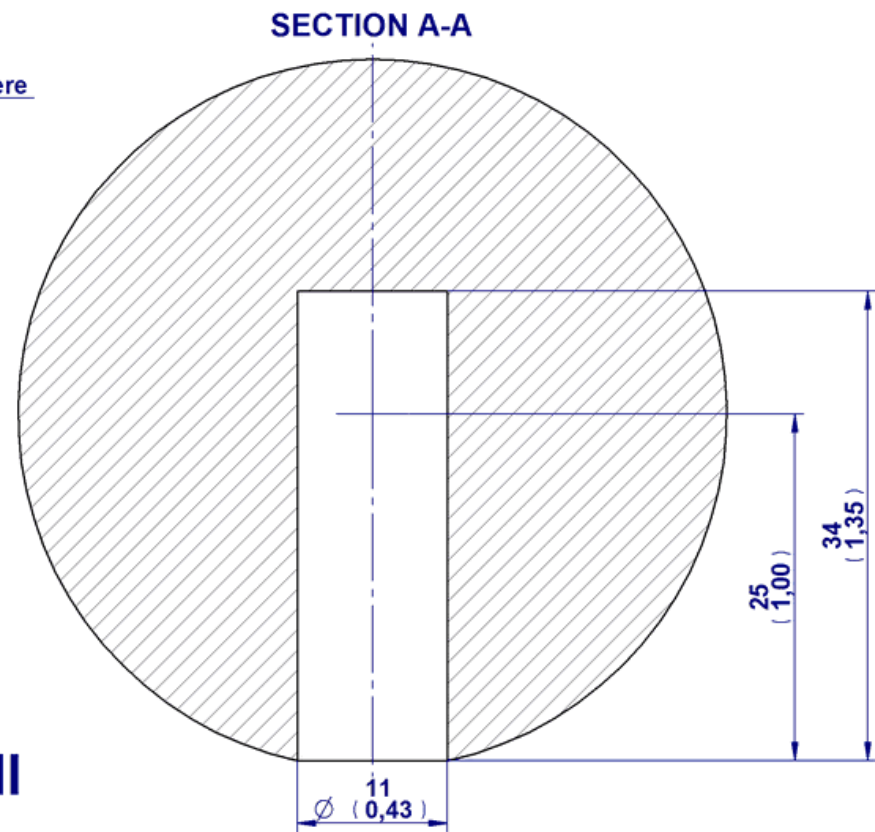
9. Branch 6



10. Branch 7



11. Ball



Assemblage

