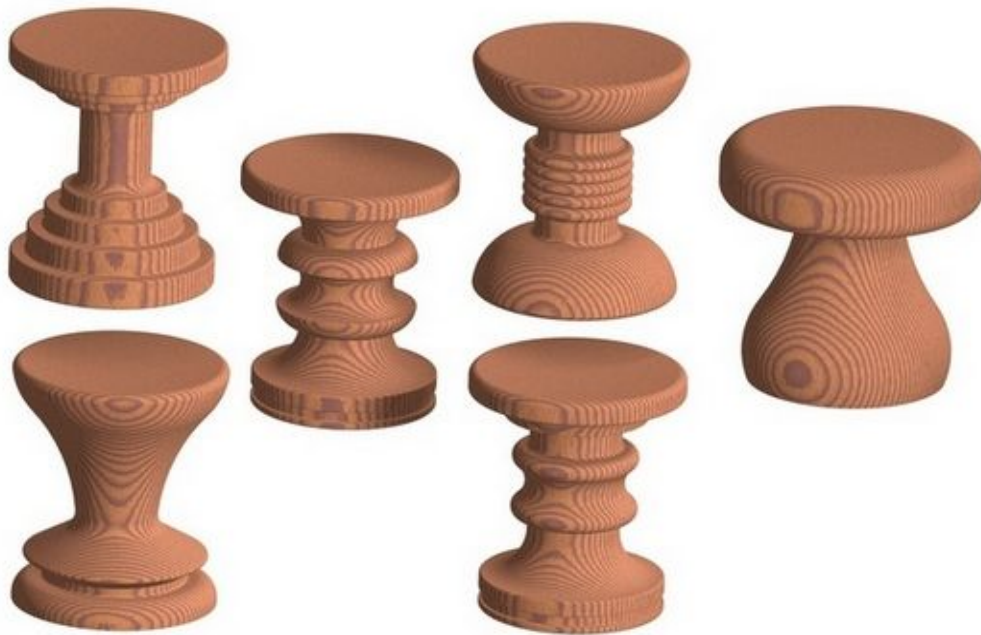


## Turned wood stool plans

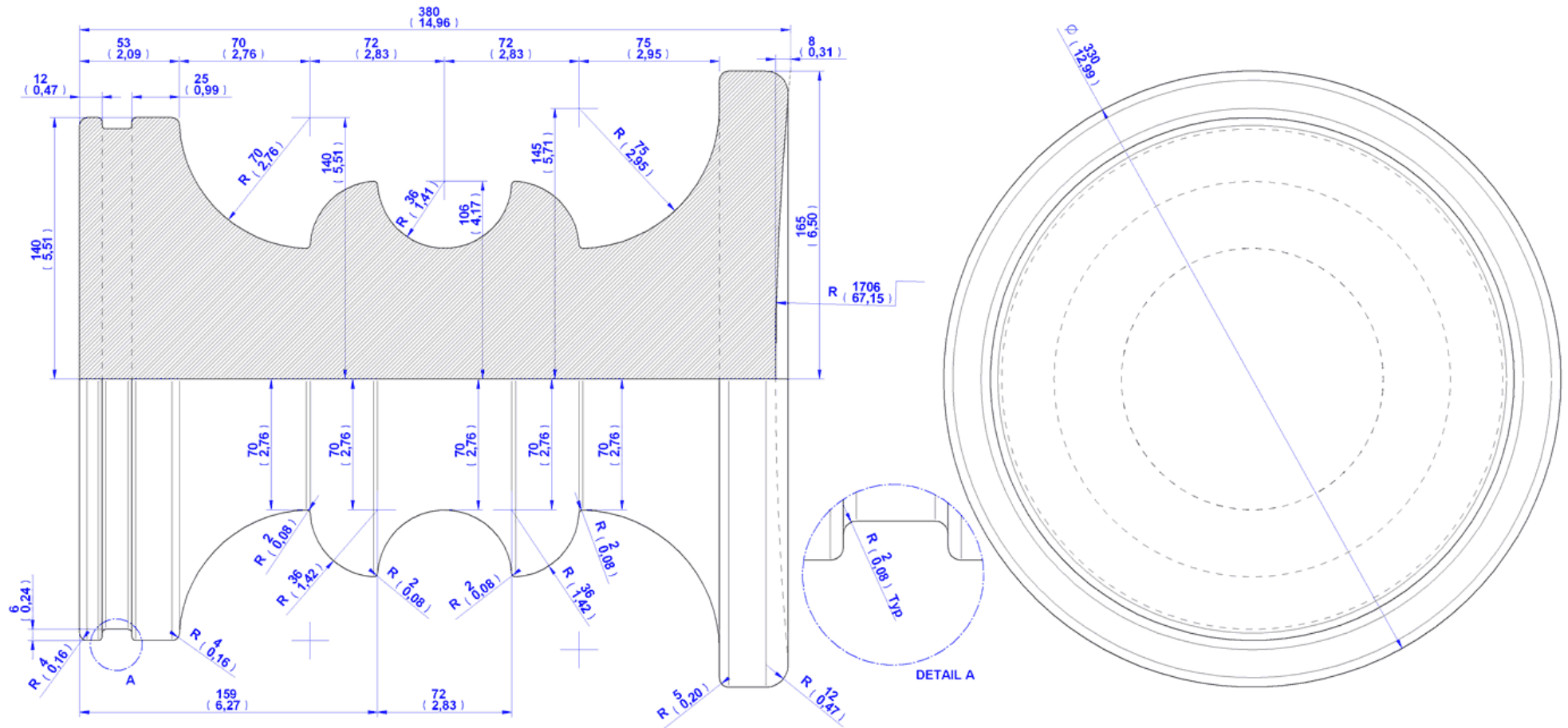


This wood turned stools set includes six variations of exquisite sculptural shaped stools. Most simple one is mushroom stool that can fit perfectly into contemporary furniture. There are also two chess piece stools, perfect as the kitchen furniture, or as a bar stools, as well as all the other pieces in the wood turned stools plan. For their simplicity and elegance, these backless stools can be placed anywhere in your home, they can also serve as a small wood turned tables, or simply as a decor furniture that will refresh and give that artistic touch to your home interior or working area. You can use many kinds of wood for making these stools, but we recommend you to purchase some wood with nice texture like ash, walnut, oak, maple etc.

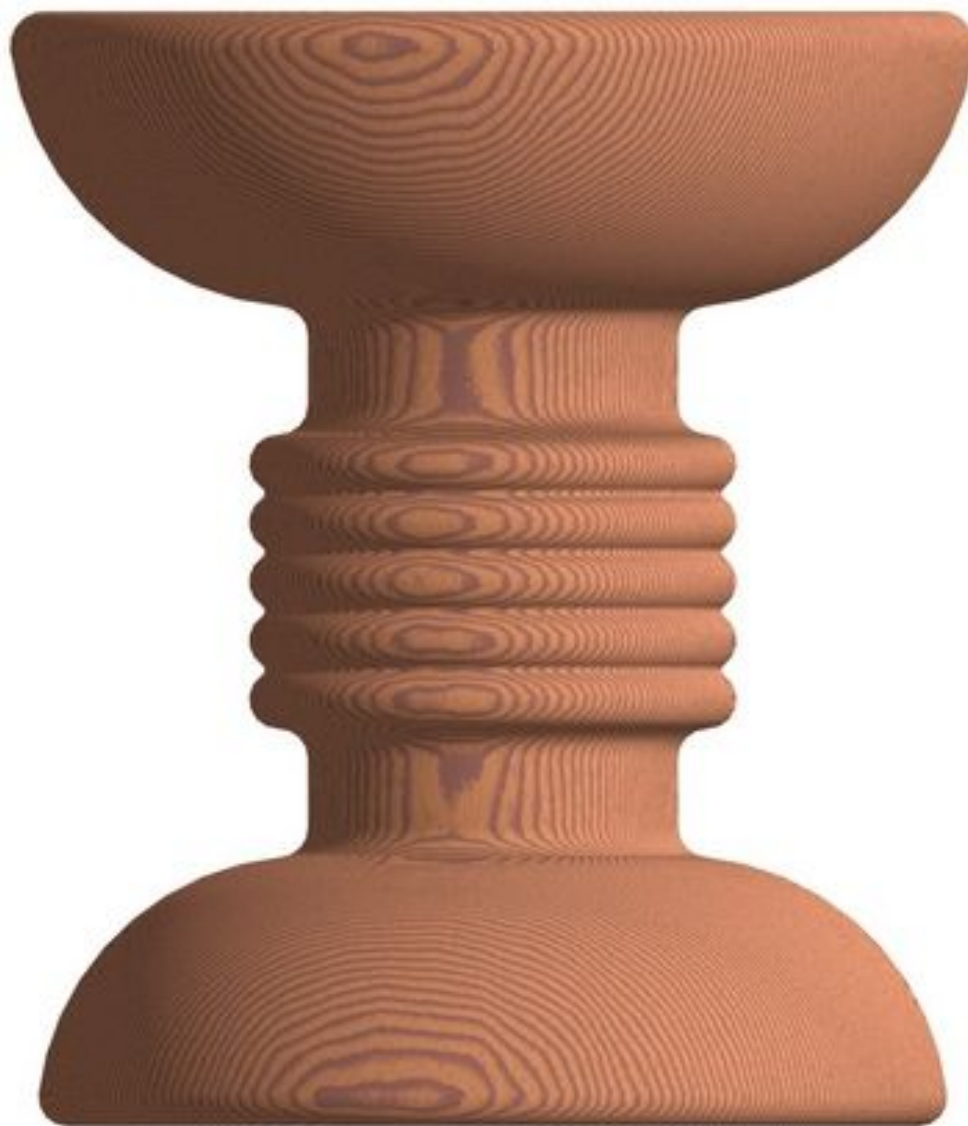
If you want to make some of these wooden turning stools, you should put the concave top, and if you want to use this object as a woodturning table, you will need the flat top.

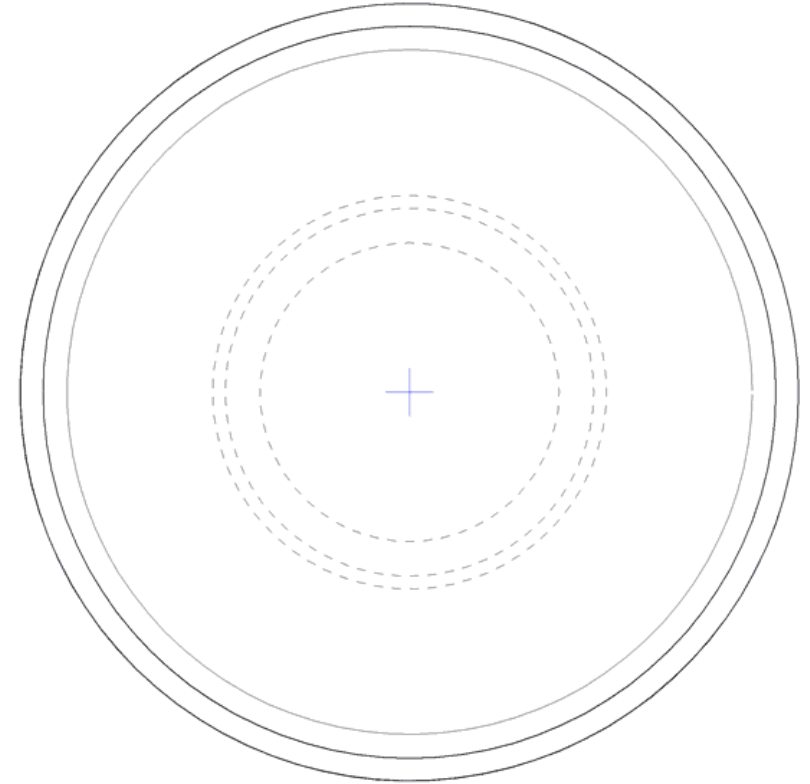
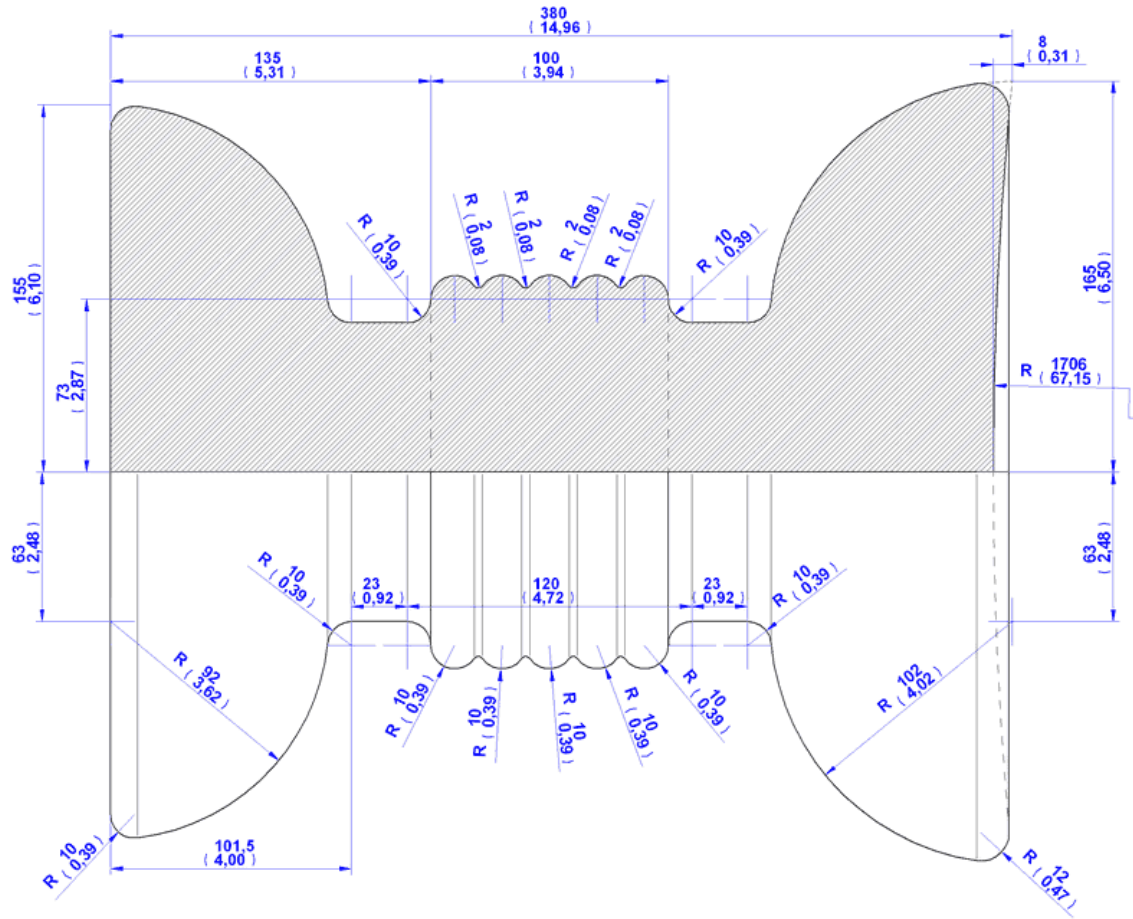
## Version 1





## Version 2

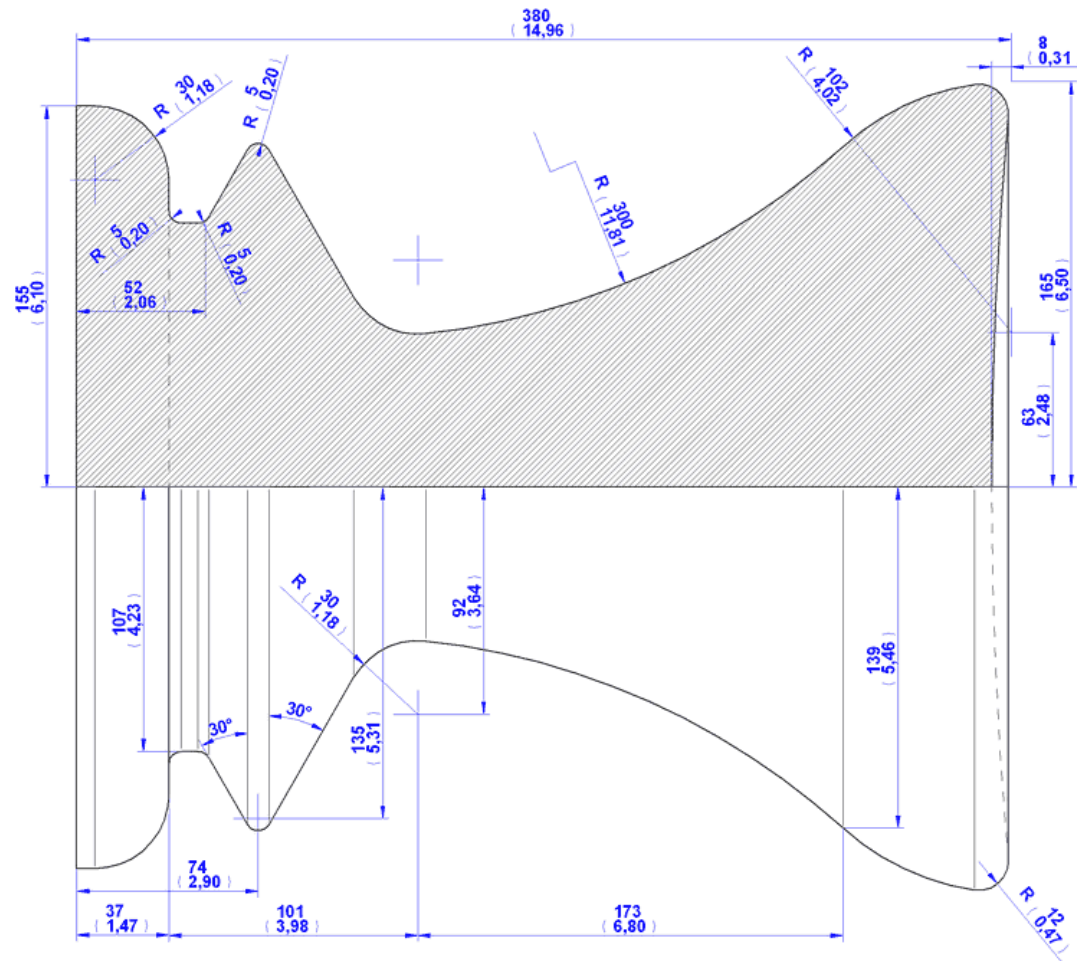




**Version 3**



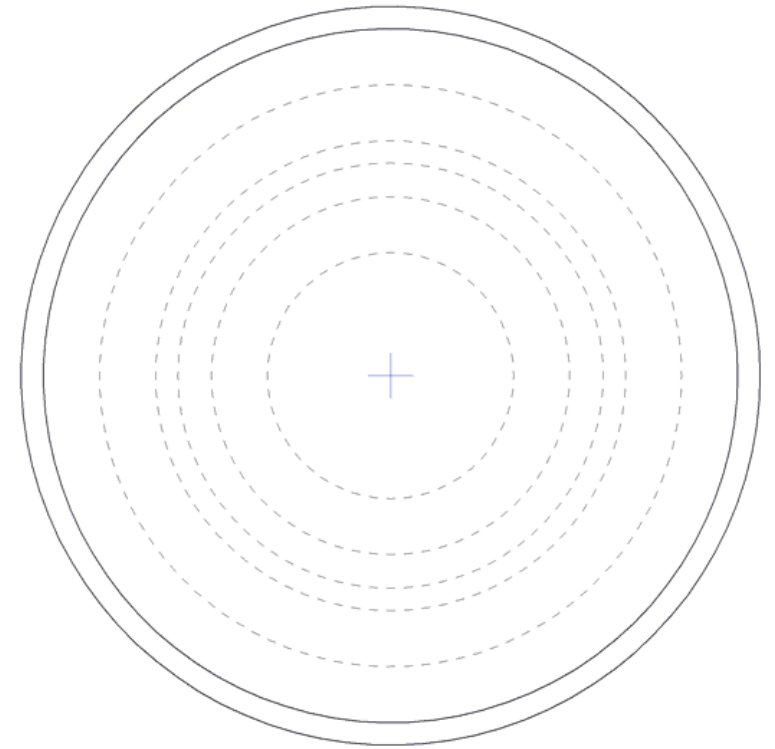
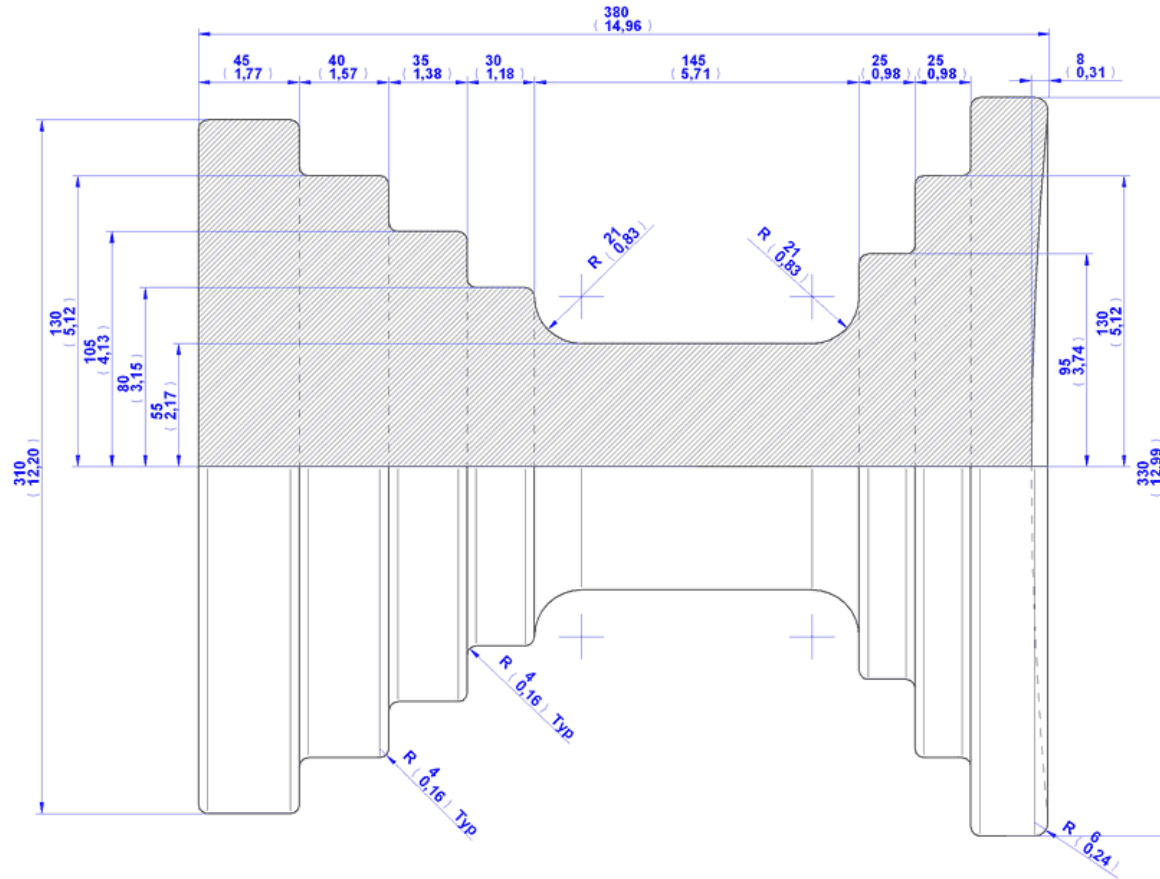




## Version 4

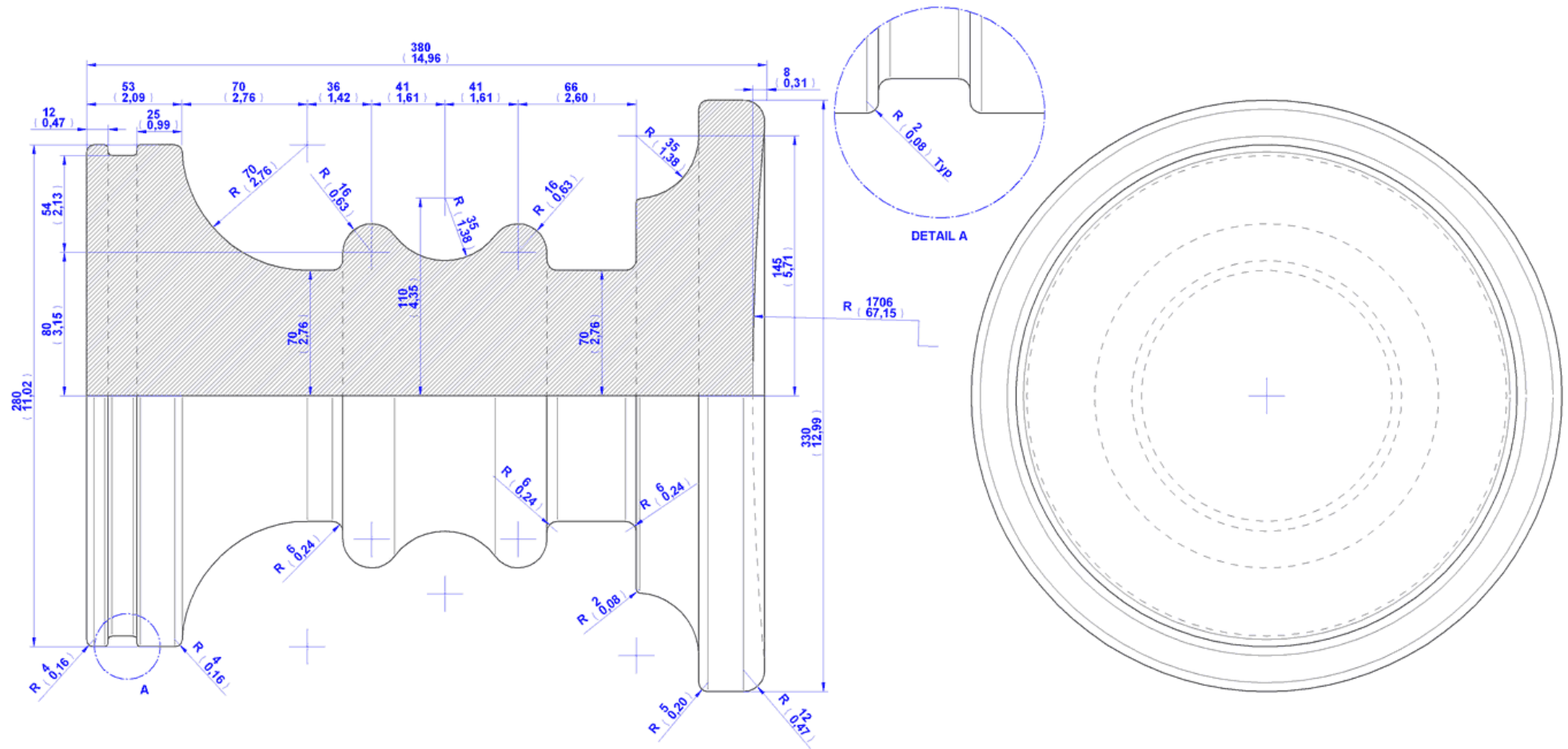






**Version 5**





## Versin 6 - Mushroom Stool or Mushroom Table



