

## Wall mounted flower pot holder

Here you can download the free woodworking plan for wall mounted pot holder. Pot holder consists of three rotational single pot holders (baskets) mounted on upright wooden rod and decorative wall-mounted holder (Part 1 – Wall plank). Rotation of the pot baskets enables combination of the plants of different shapes. Each pot basket has a wooden fence which will prevent the turnover of the plant pot.

Make this pot holder out of durable hardwood and take special care on finish, to prevent damage by water. For making the rod (Part 3 – Axle) use straight grained hardwood, free of any damage, because this part will endure the significant load. Wooden pot holder in our plan is 1016 mm tall and 178 mm wide, but you can easily suit its dimensions to your needs.



What you can do:

- decrease or increase the space between the pot holders (baskets);
- mount multiple rods in parallel with each other so that flowers can cover part of the wall;
- adjust the size of the baskets.

If you want to keep lush flowers on it, there is no need to over-decorate the construction; but if you place smaller pots with flowers that are not very lush, it would be useful to pay more attention to finish

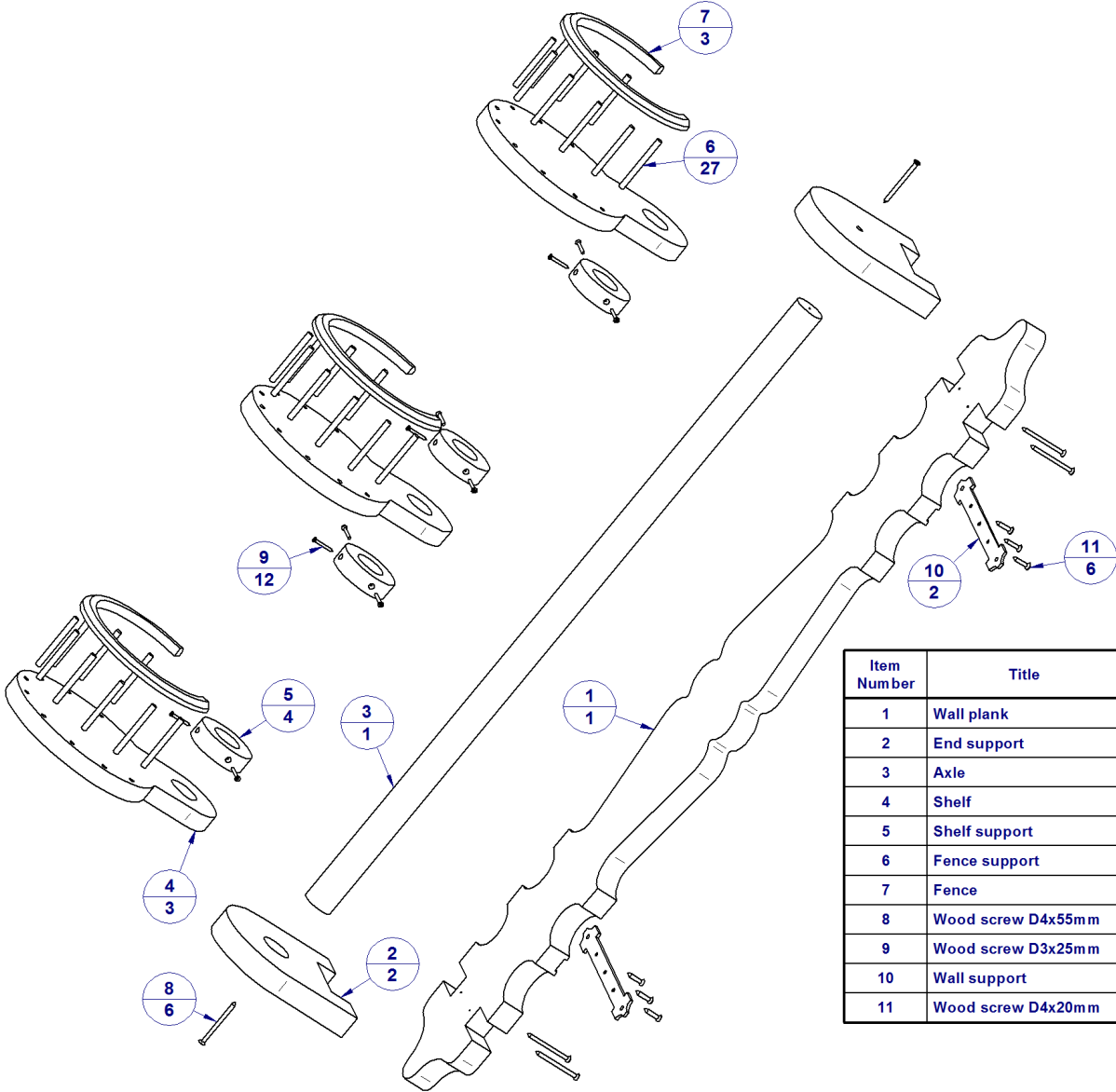
to make the construction looks really nice. There are several ways to make the flower pot holder more beautiful:

- The design of the spindles (Part 6 - Fence support) in our plan is very simple. There are finished spindles available that can be purchased at the shops, in a variety of beautiful shapes, but if you have a lathe, you can make them to your liking:
- design a more complex and finer shape of the wall plank part;
- color or paint the construction;
- use several types of wood with different colors and textures...

The plan is called the Wall Mounted Flower Pot Holder, but this pot stand can also nicely serve to decorate the pillars of a square or rectangular base. In case that these are narrow wooden pillars, there will be no need to make the wall plank part and the end support parts are to be directly fixed to the wooden pillar.

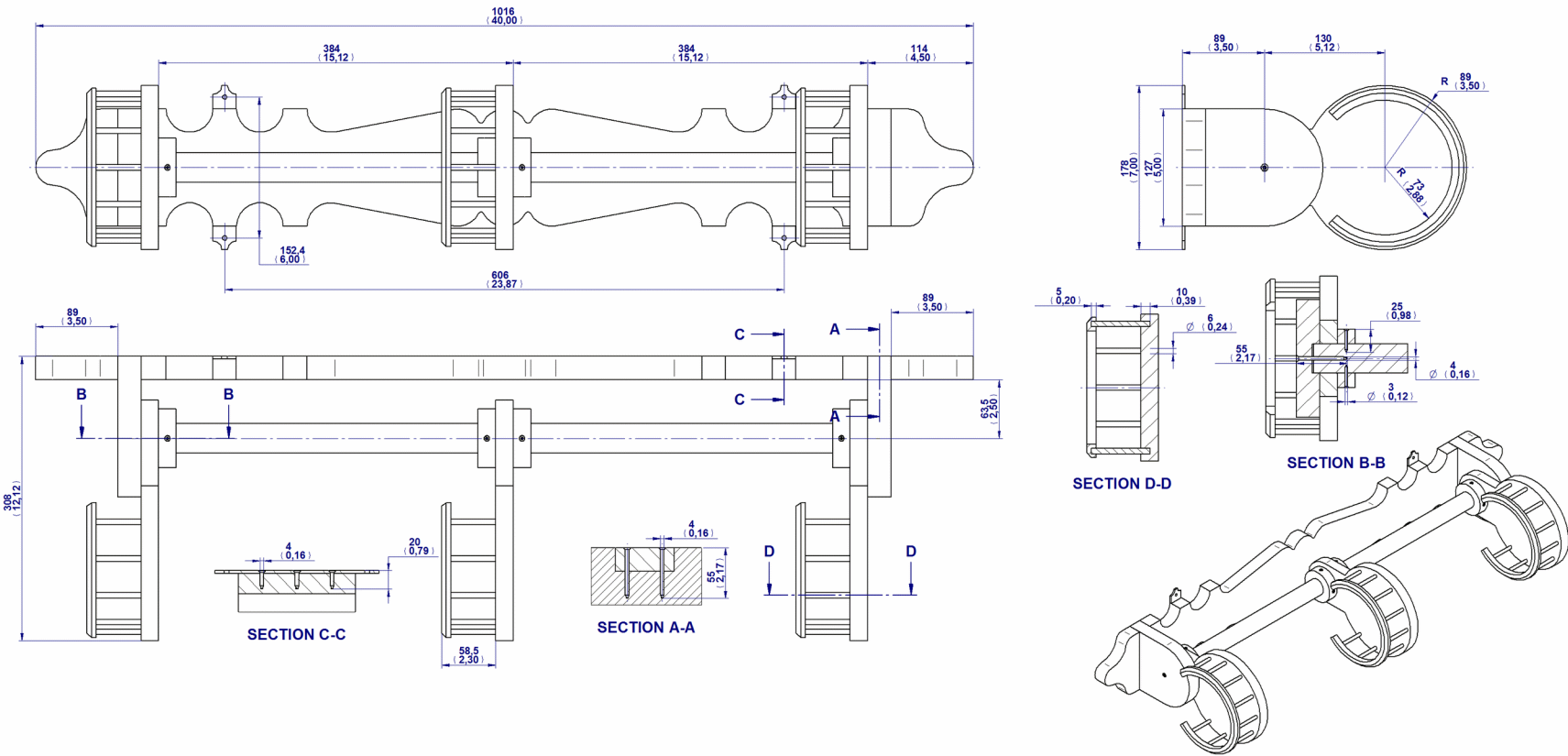
To create this pot holder, you will need the tools that can be found in almost every workshop, plus a drill and a jig saw as the only necessary power tools. Sanding can be done manually, but if you have a machine to do this with, it will certainly come in handy. The rod can be bought, or simply use the shaft of an ash, hoe or some other similar garden tool.

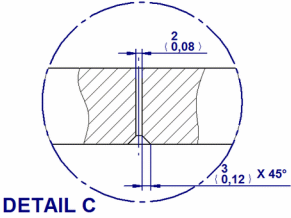
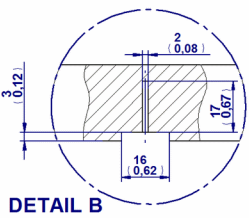
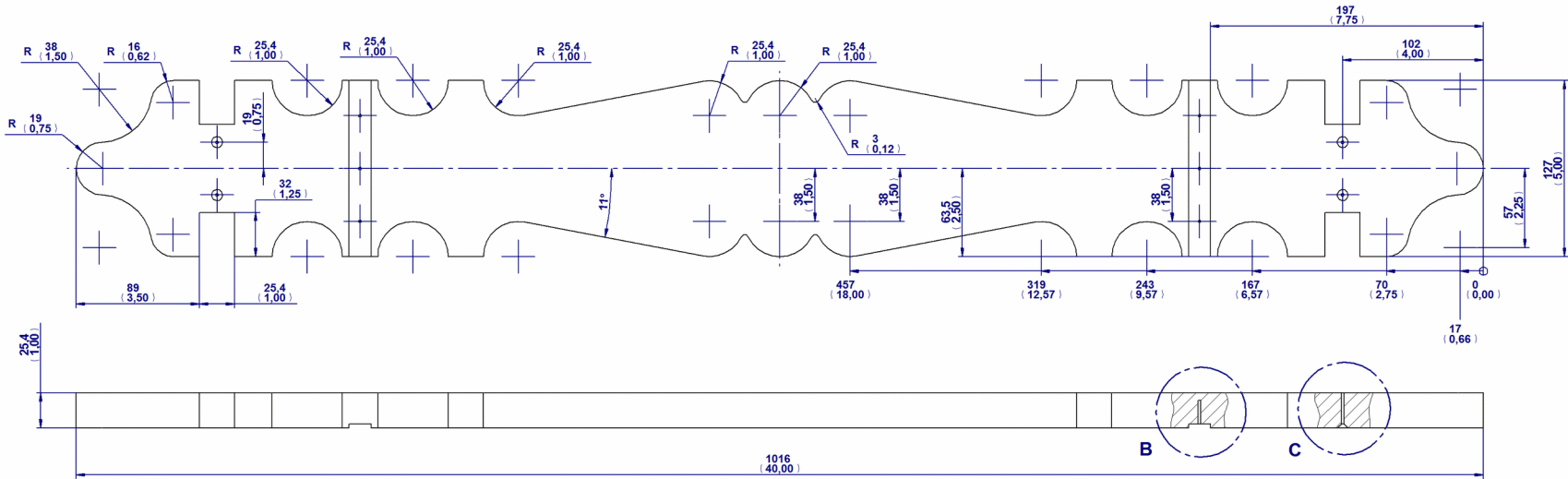
Wall mounted flower pot holder - Parts list



Item Number	Title	Material	Quantity
1	Wall plank	Wood	1
2	End support	Wood	2
3	Axle	Wood	1
4	Shelf	Wood	3
5	Shelf support	Wood	4
6	Fence support	Wood	27
7	Fence	Wood	3
8	Wood screw D4x55mm	Steel	6
9	Wood screw D3x25mm	Steel	12
10	Wall support	Steel	2
11	Wood screw D4x20mm	Steel	6

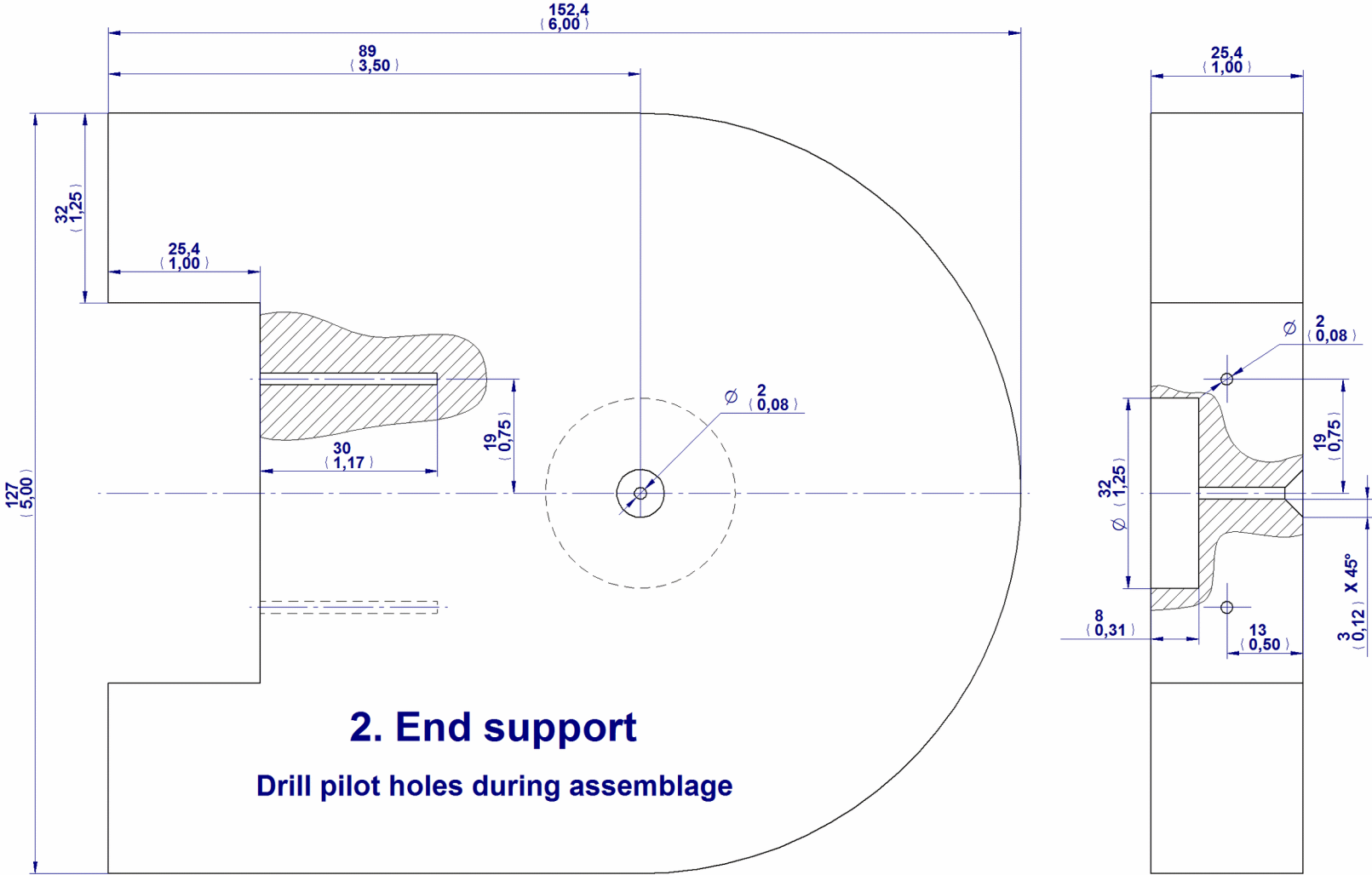
Wall mounted flower pot holder - Assembly drawing

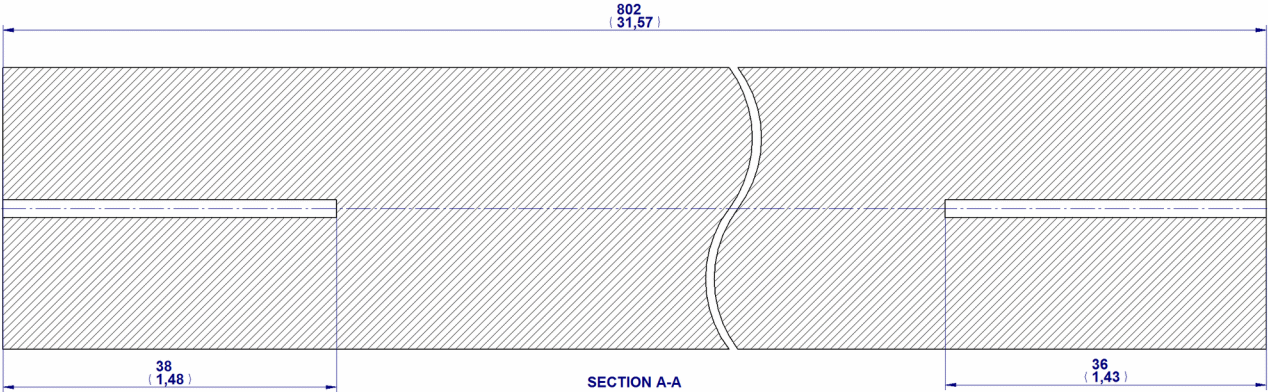
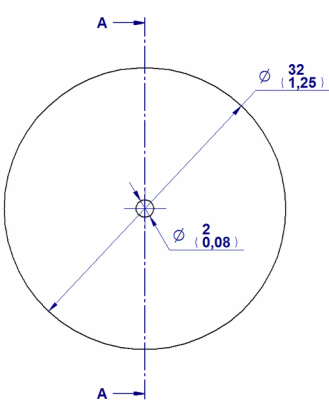




# 1. Wall plank

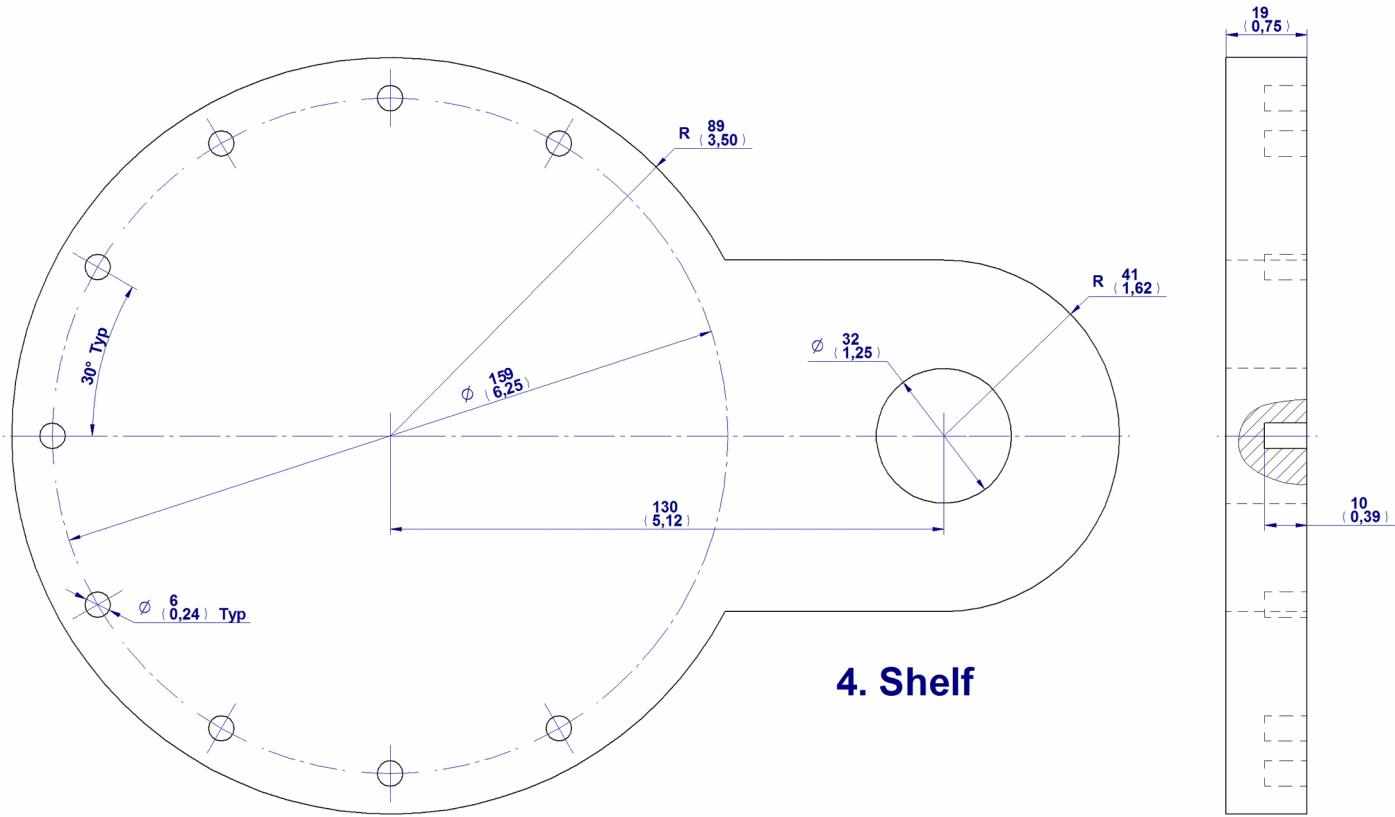
Drill pilot holes during assemblage





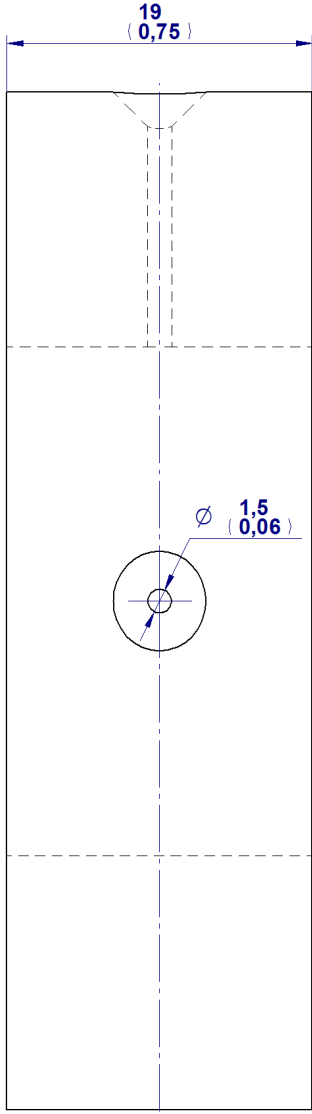
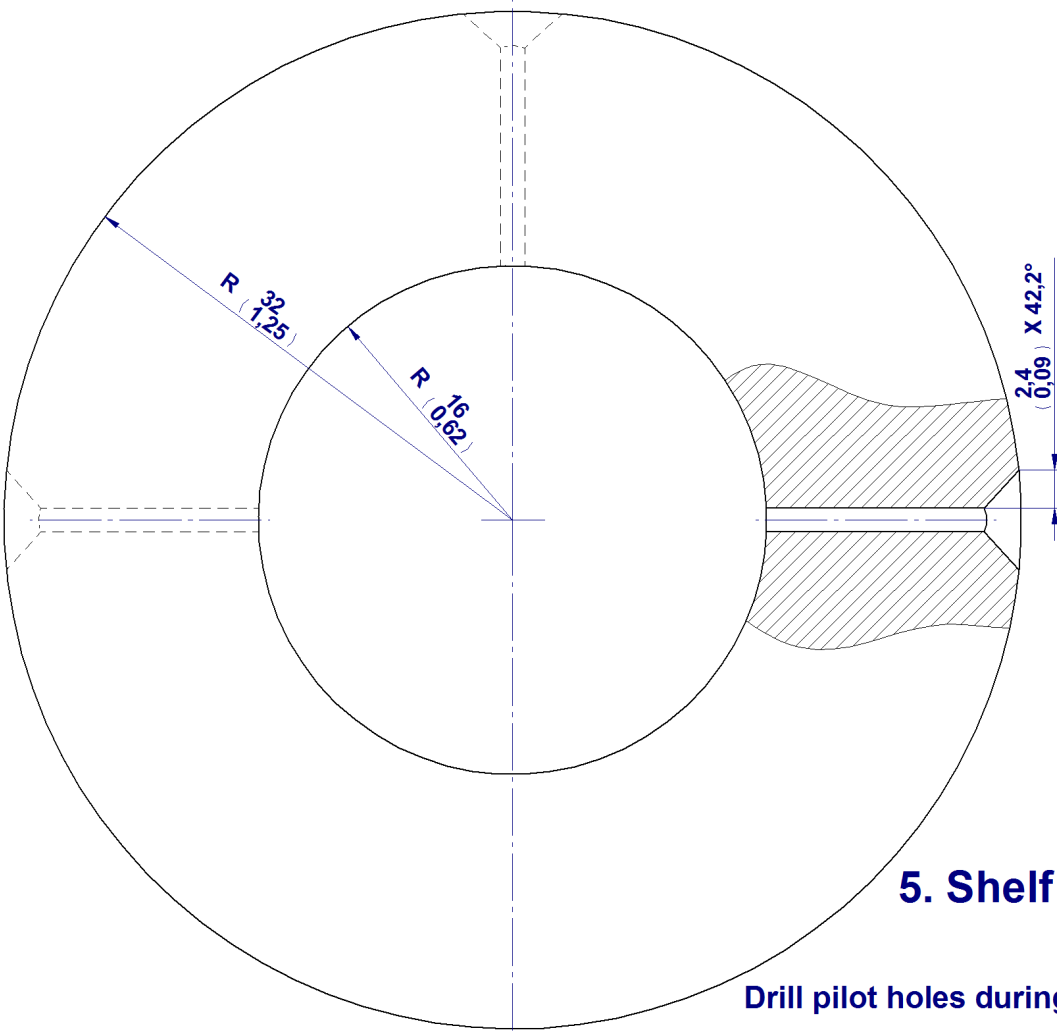
**3. Axle**

Drill pilot holes during assemblage



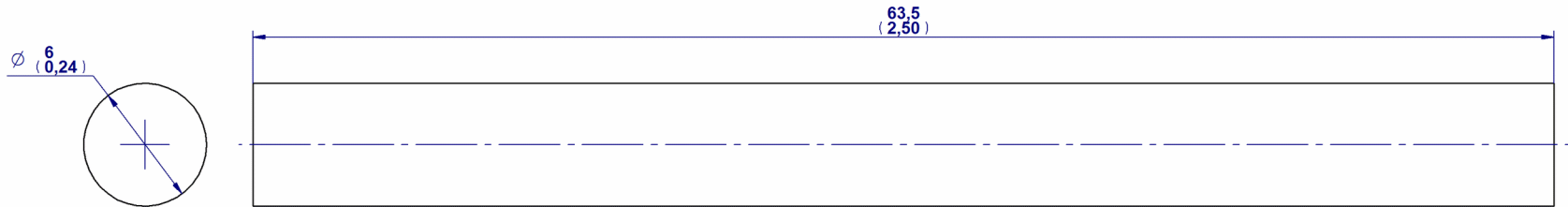
**4. Shelf**



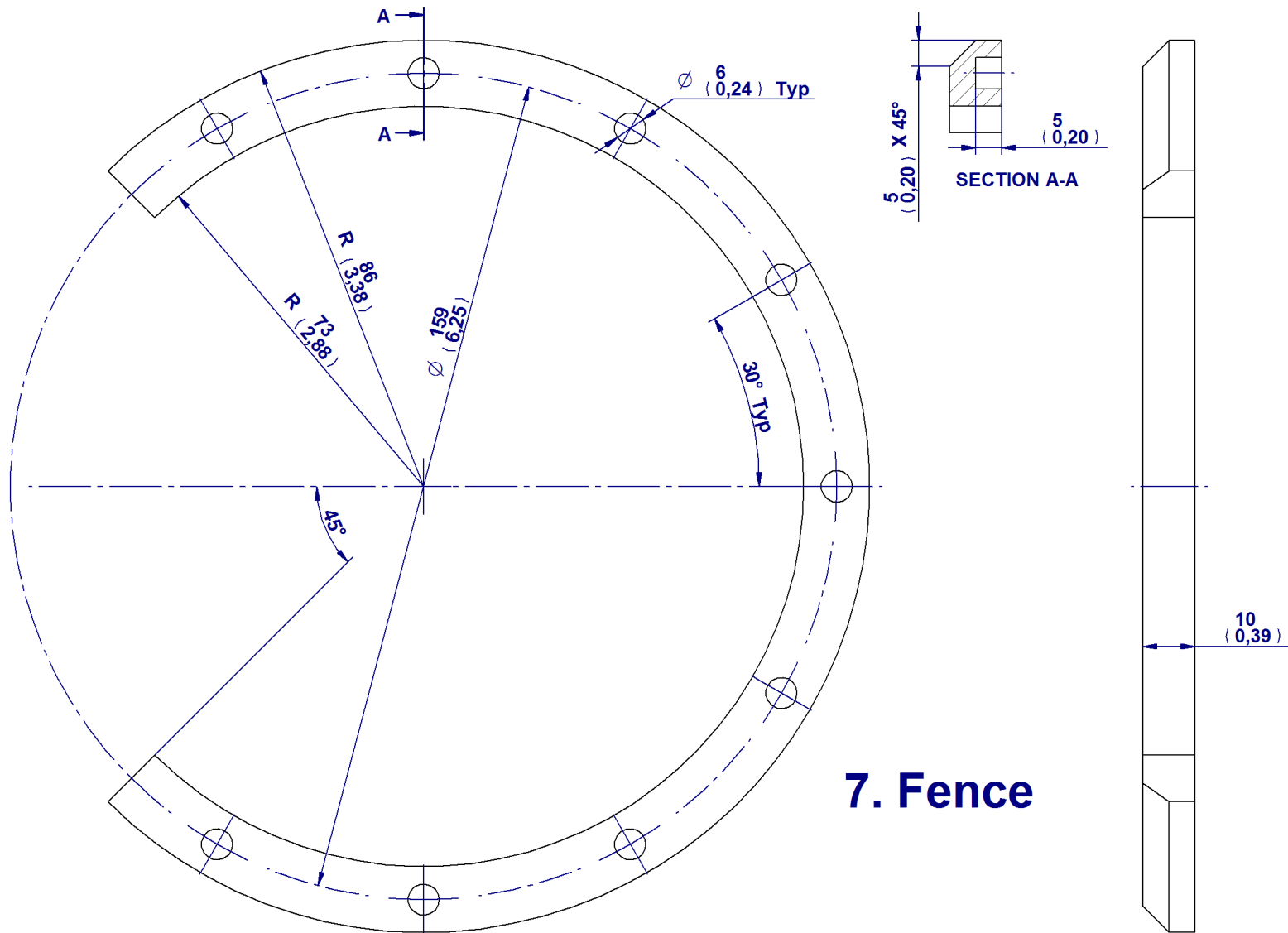


**5. Shelf support**

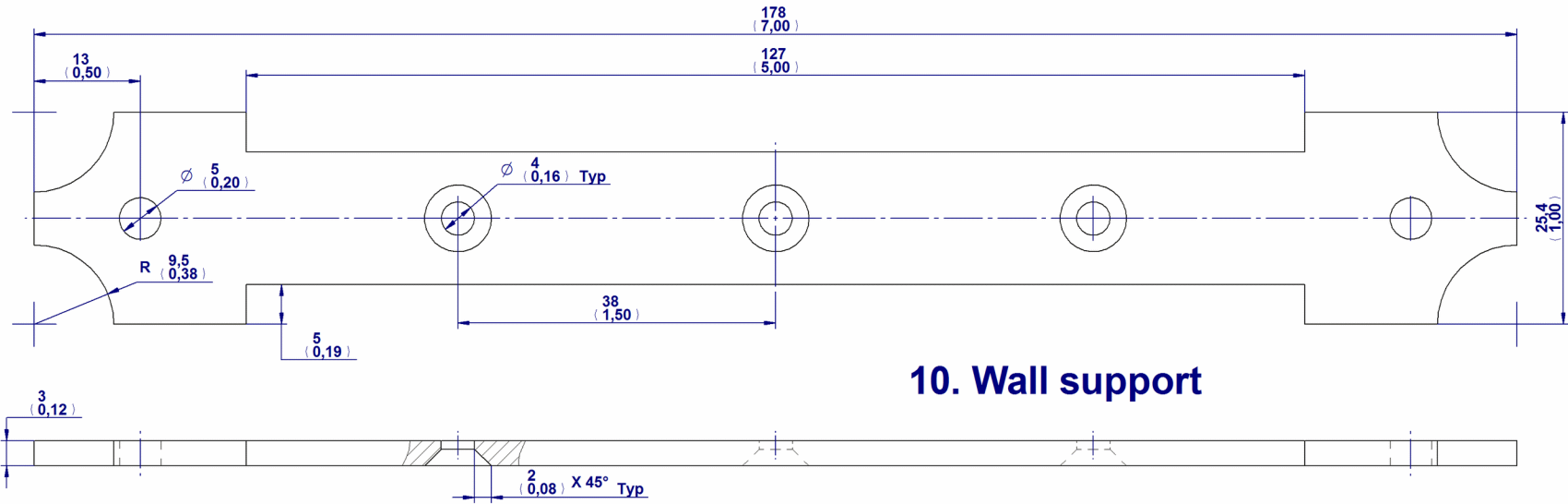
Drill pilot holes during assemblage



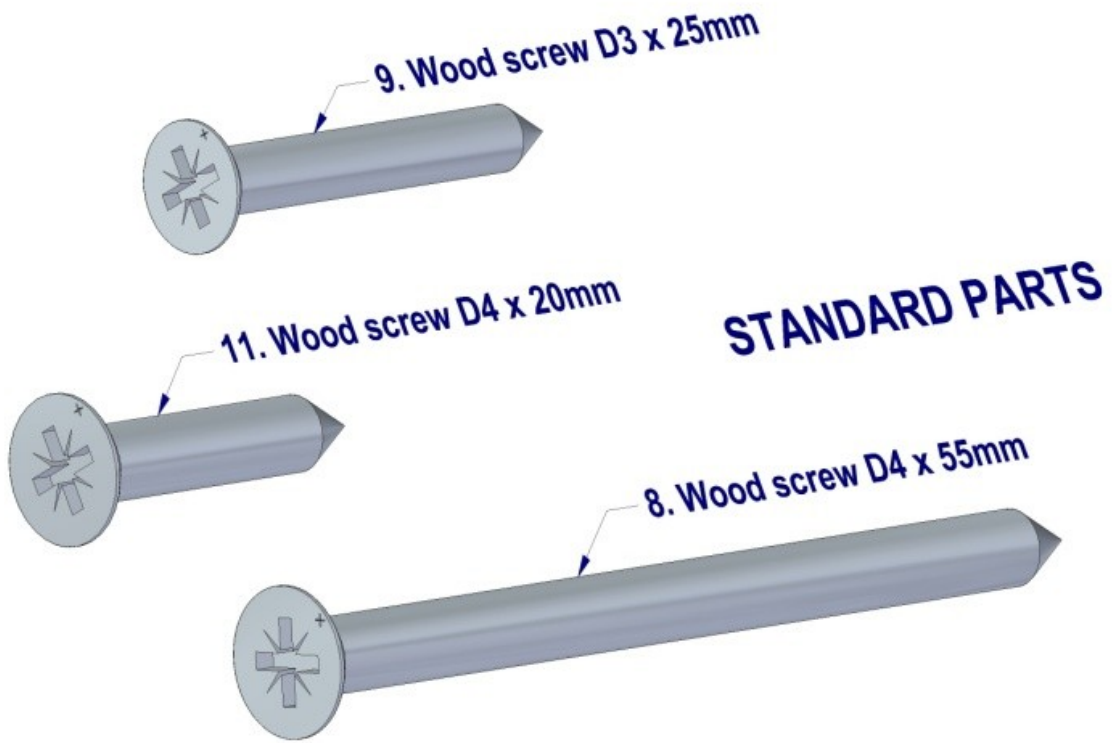
## 6. Fence support



### 7. Fence

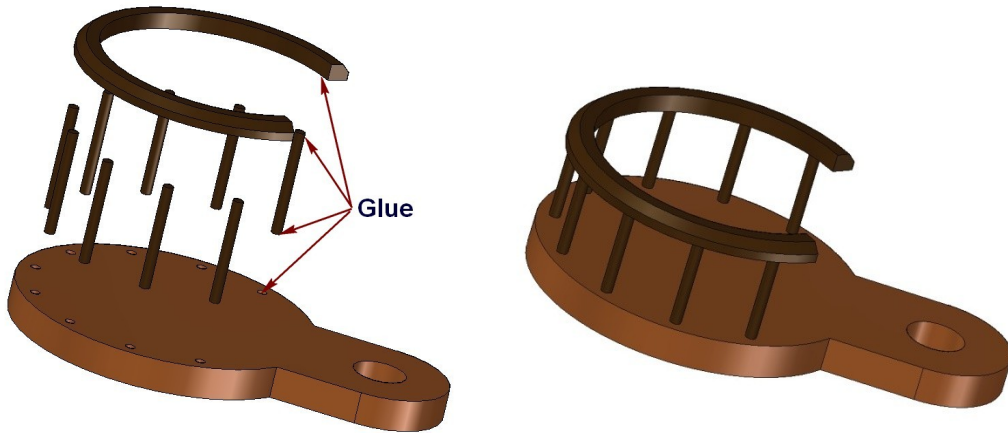


Wall mounted flower pot holder - Standard parts

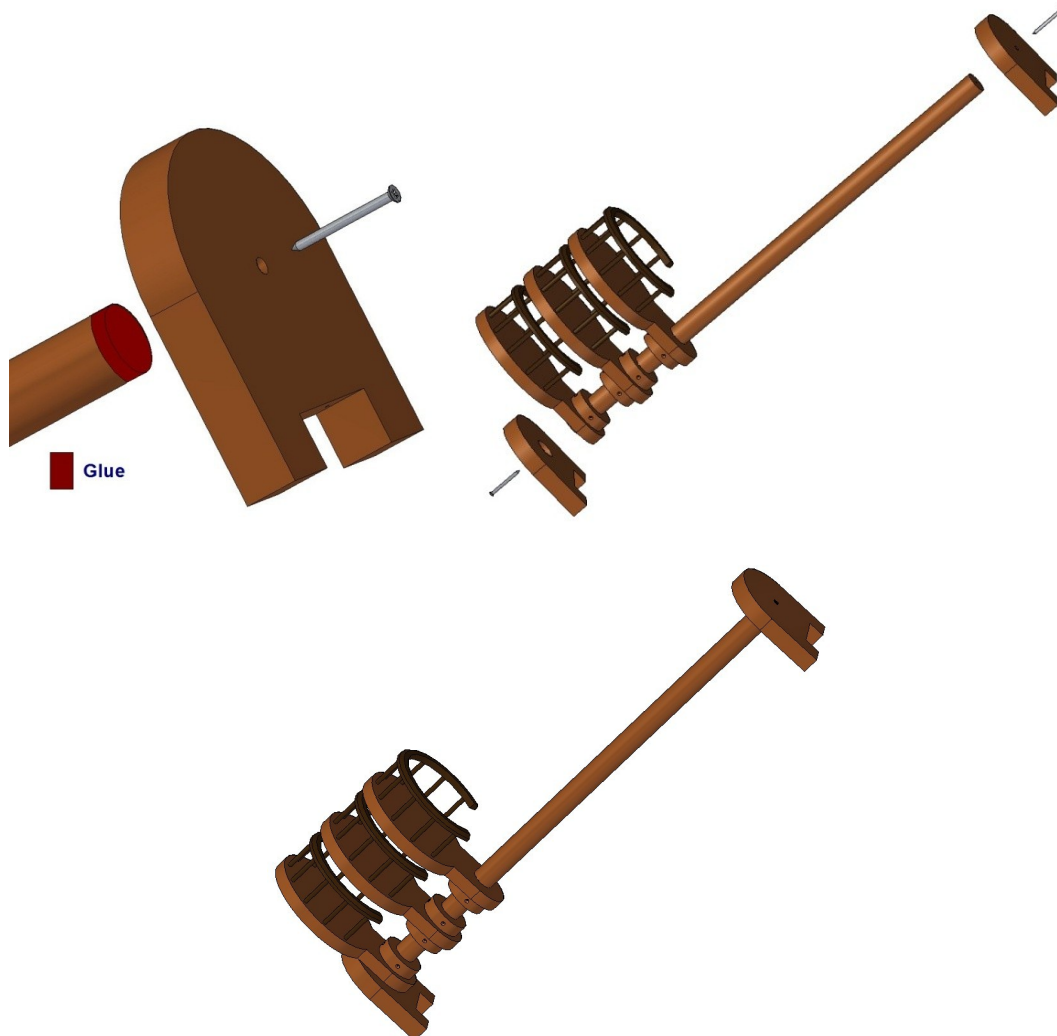


## Assemblage steps

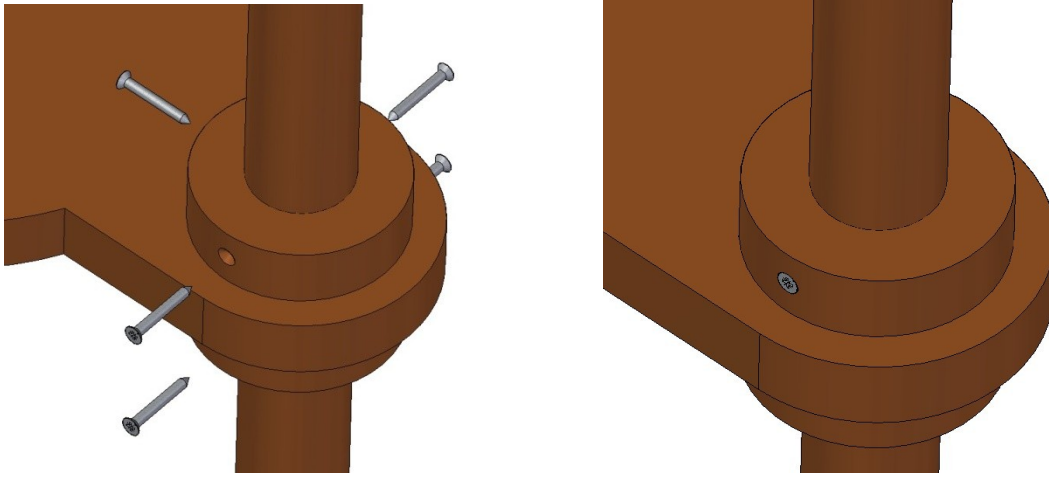
### STEP 1



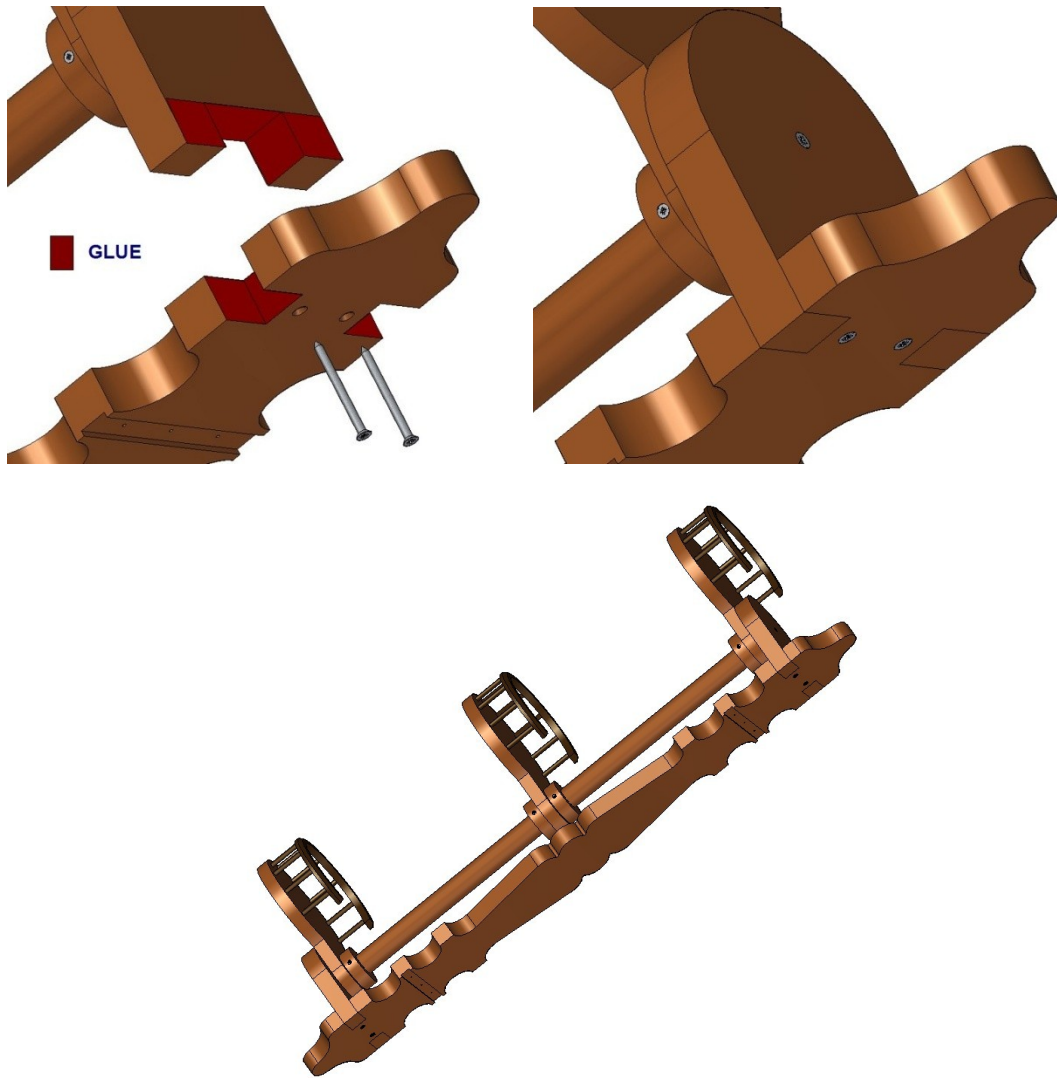
### STEP 2



STEP 3



STEP 4



STEP 5

