

Wine bottle and glass holder

Wine has been part of many cultures since around 6000 BC and back then it played important role in religion rituals. Since then it became one of the most popular drinks in the world, and if you are one of the people that enjoy good glass of wine, you will probably enjoy while making this exquisite and stylish wine bottle and four wine glass holder. It will offer a perfect display for that special bottle of wine ready to offer to your friends or family. It can be placed in your kitchen, dining table, or in a living room as a piece of beautiful woodturning decoration, or it can be a perfect birthday gift for that special person sharing the same passion in good wine.



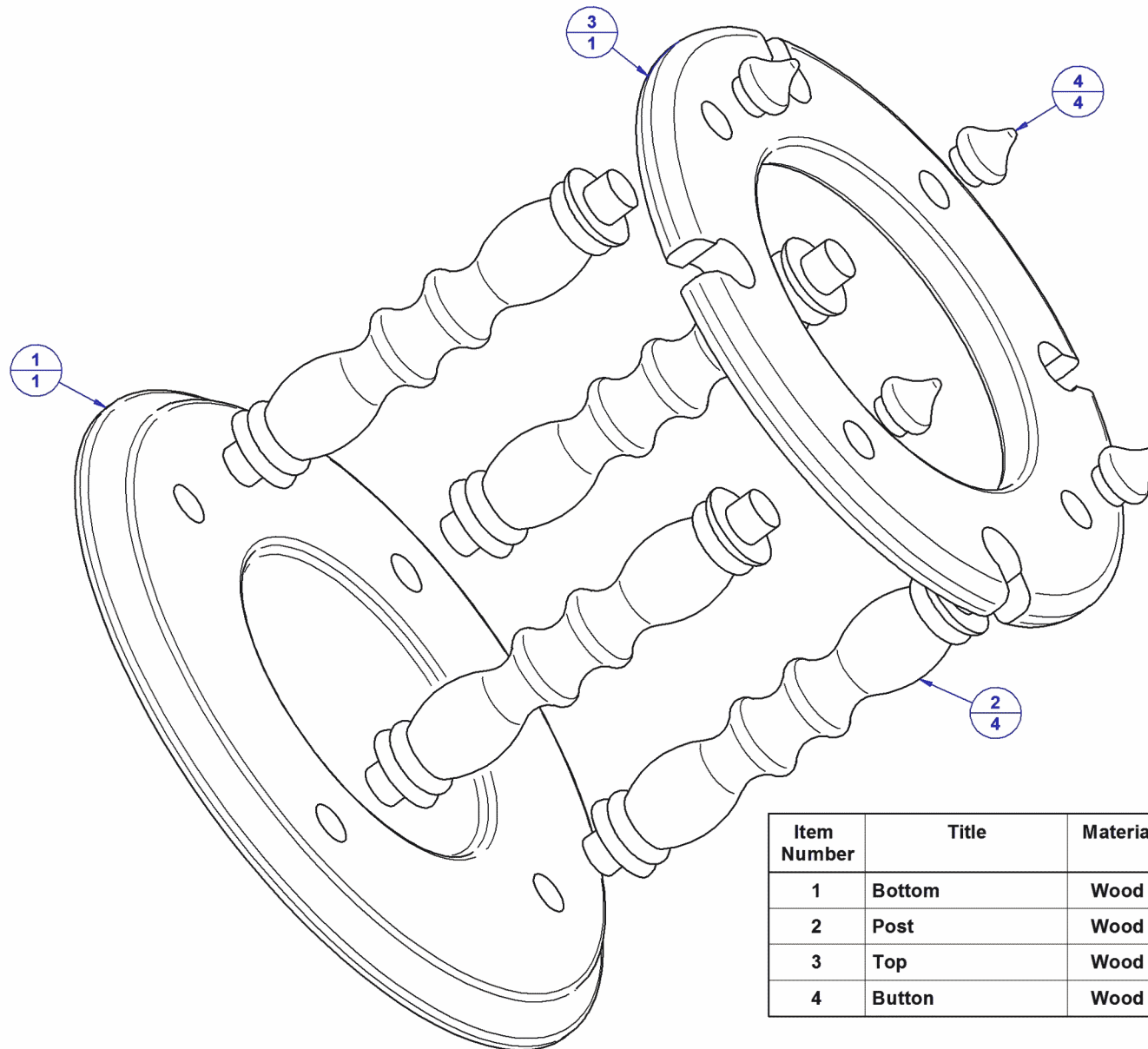
The holder consists of four different parts. The base or bottom part allows it to stand upright. The top part is attached to the bottom by means of post parts (spindles). On the top there are decorative parts that we named buttons. All parts are glued together. The parts are not difficult to make if you are into woodworking. The most complex is the crafting of posts because you will need a lathe. In case you do not dispose of one, try to find an old chair or a piece of furniture with parts similar to the posts/spindles needed. In the 1970s and 1980s there were variations of Windsor chairs, most probably with spindles suitable for this project.

Dimensions of the completed holder according to our plan are as follows: D 241 mm (9.49in) and H 185mm (7.28in).

The very title suggests that the holder is intended for wine, but it can equally serve for brandy, liqueur or any other similar drink. The only condition is that it is drunk from glasses with a foot and stem (goblet) so they can be hung upside down in the holder.

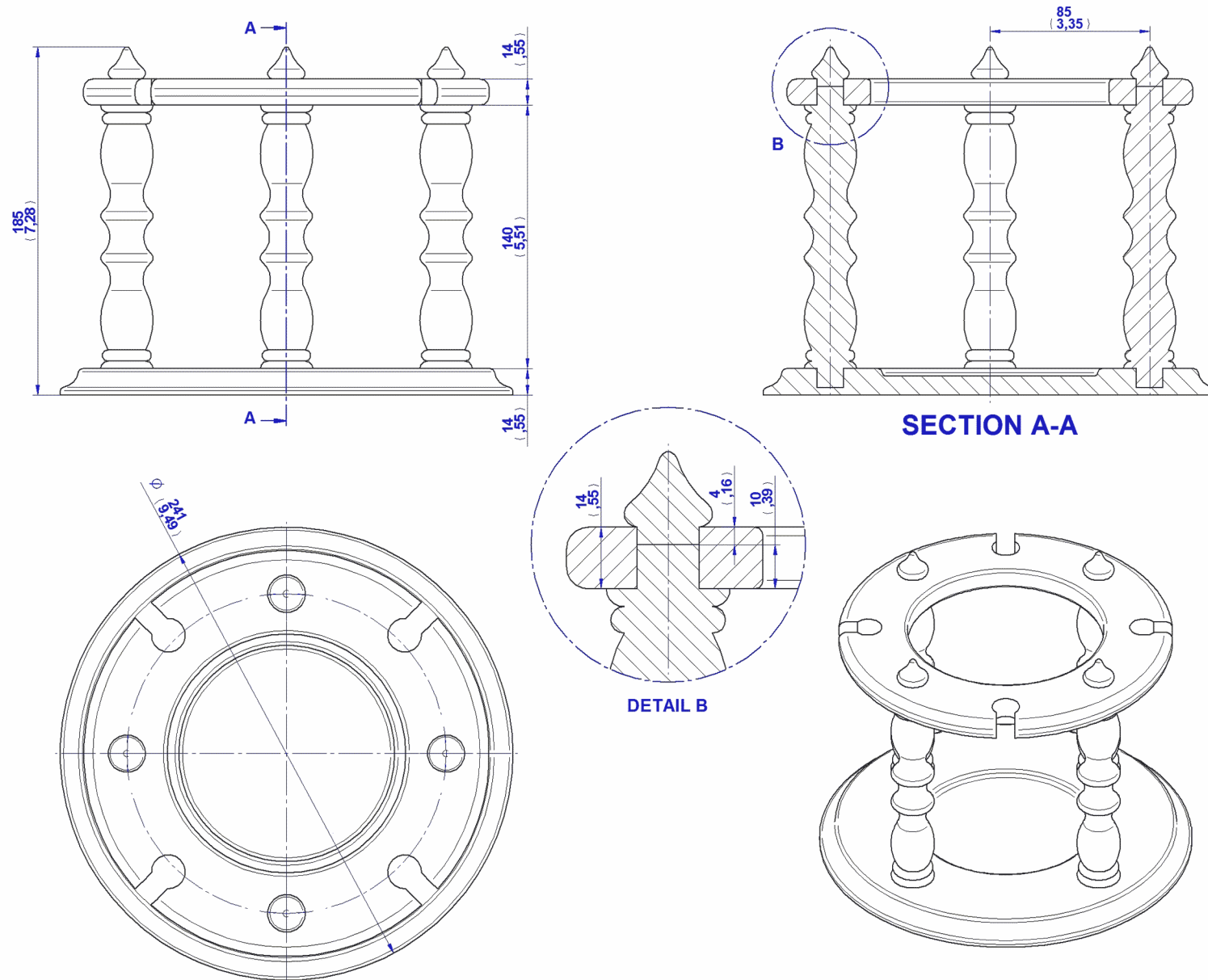
Since this is primarily an ornamental accessory, it would be good to either make it from a type of wood with nice texture or to pay more attention to its finish for achieving an attractive and effective end result.

Wine bottle and glass holder – Parts list

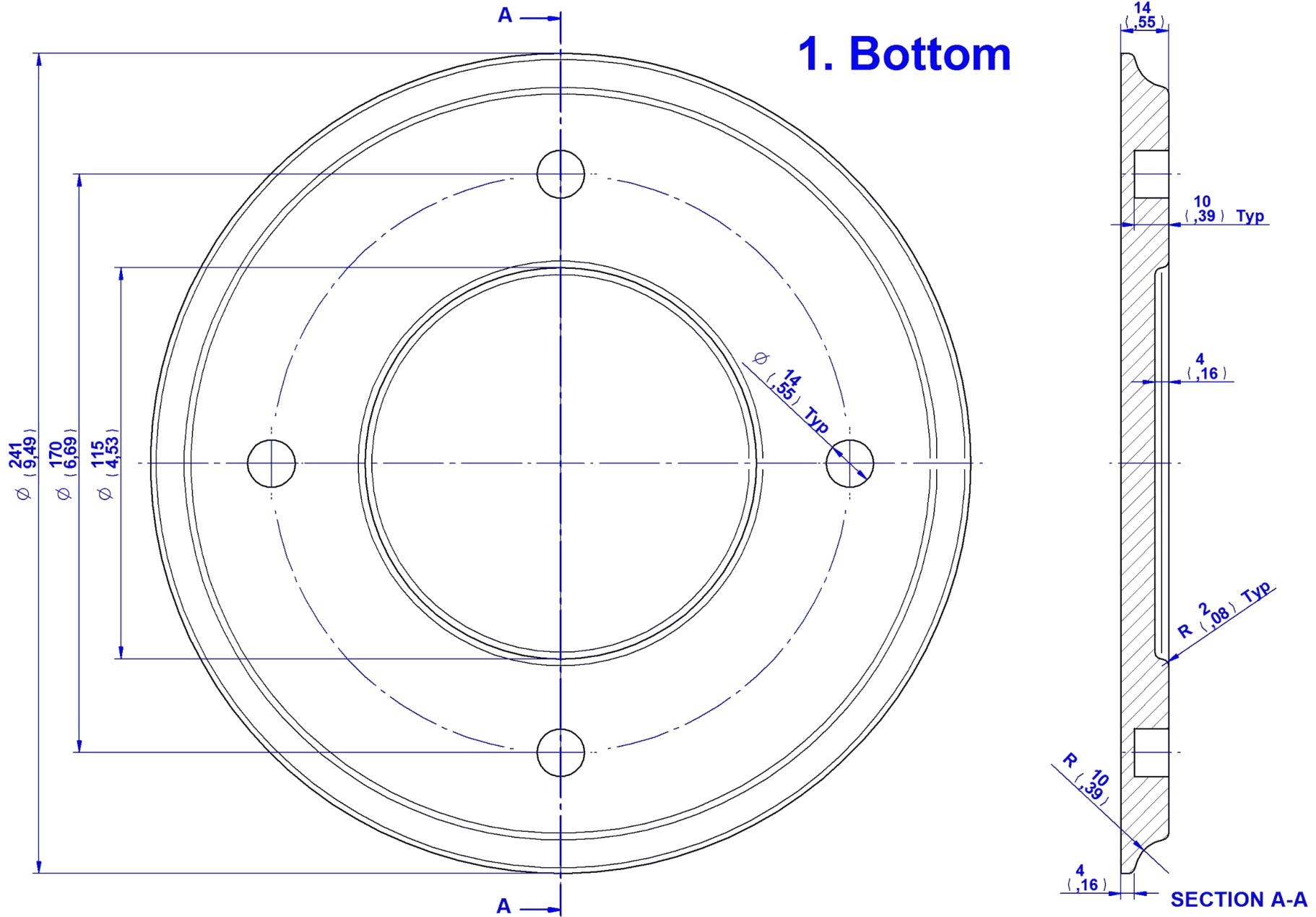


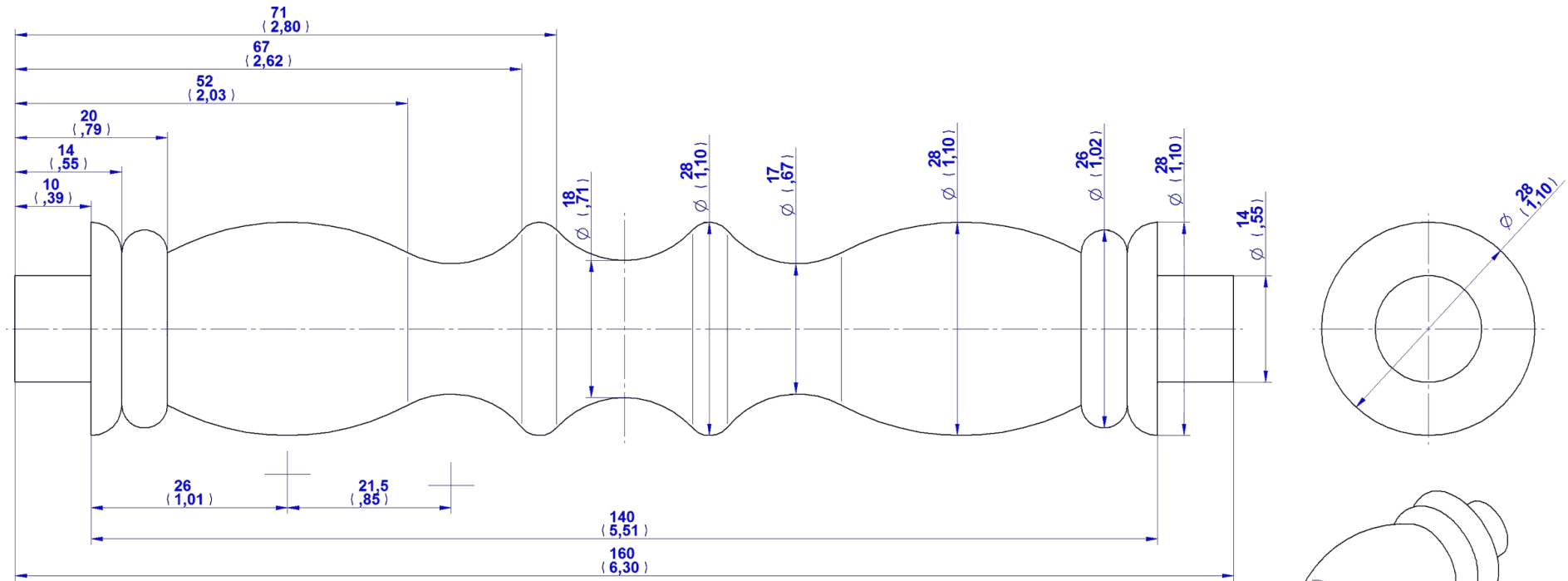
Item Number	Title	Material	Quantity
1	Bottom	Wood	1
2	Post	Wood	4
3	Top	Wood	1
4	Button	Wood	4

Wine bottle and glass holder – Assembly 2D drawing

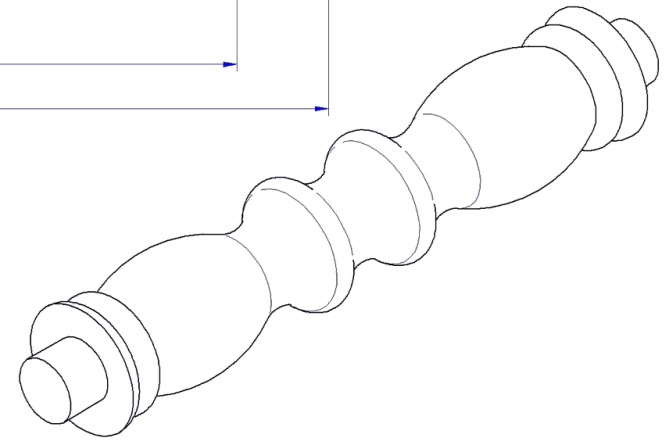


1. Bottom

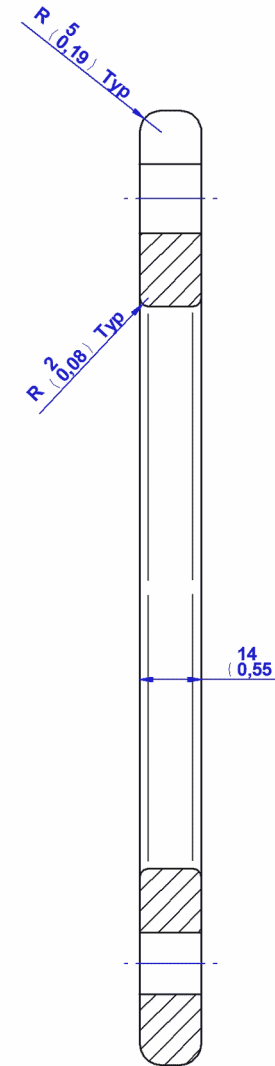
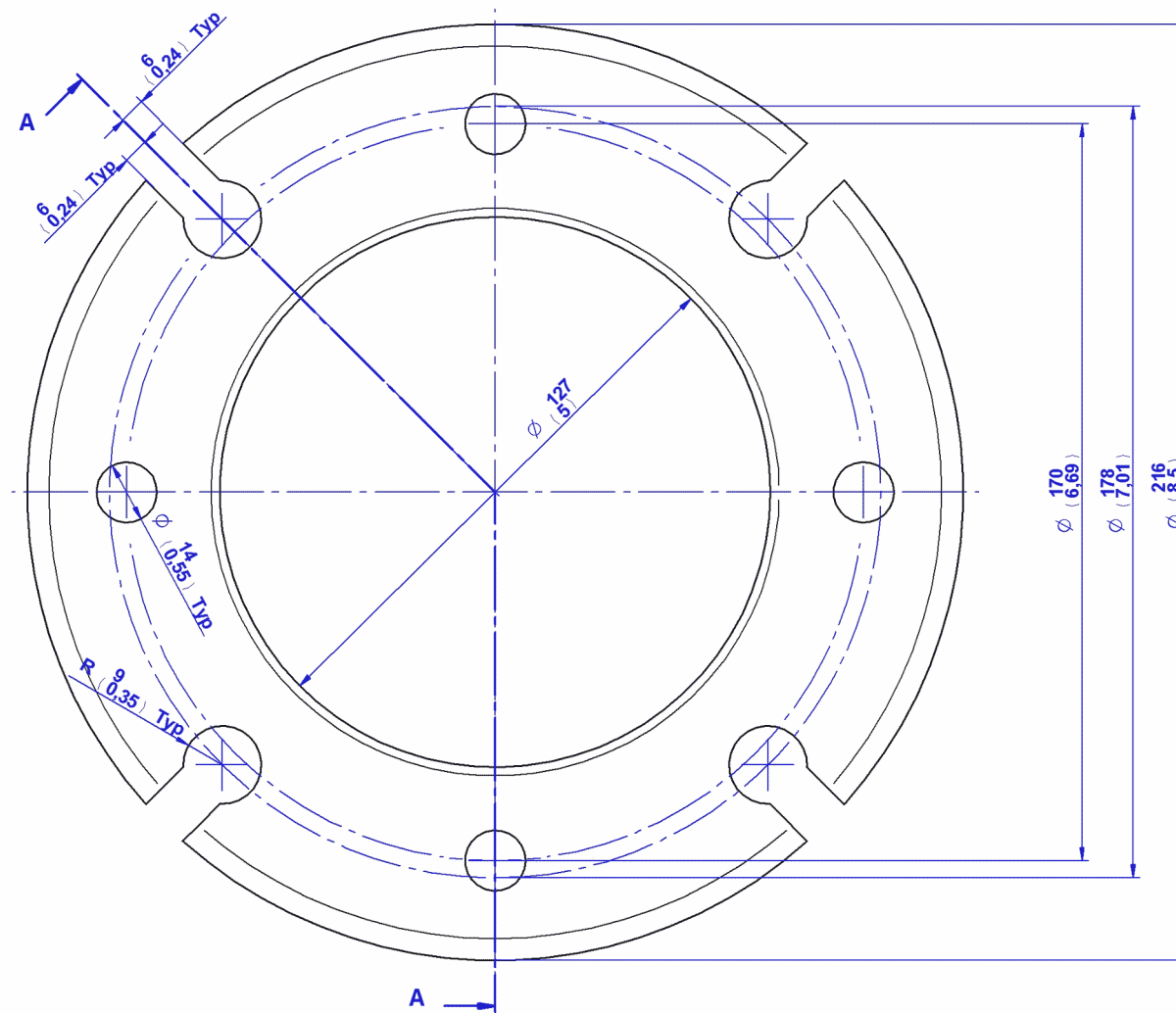




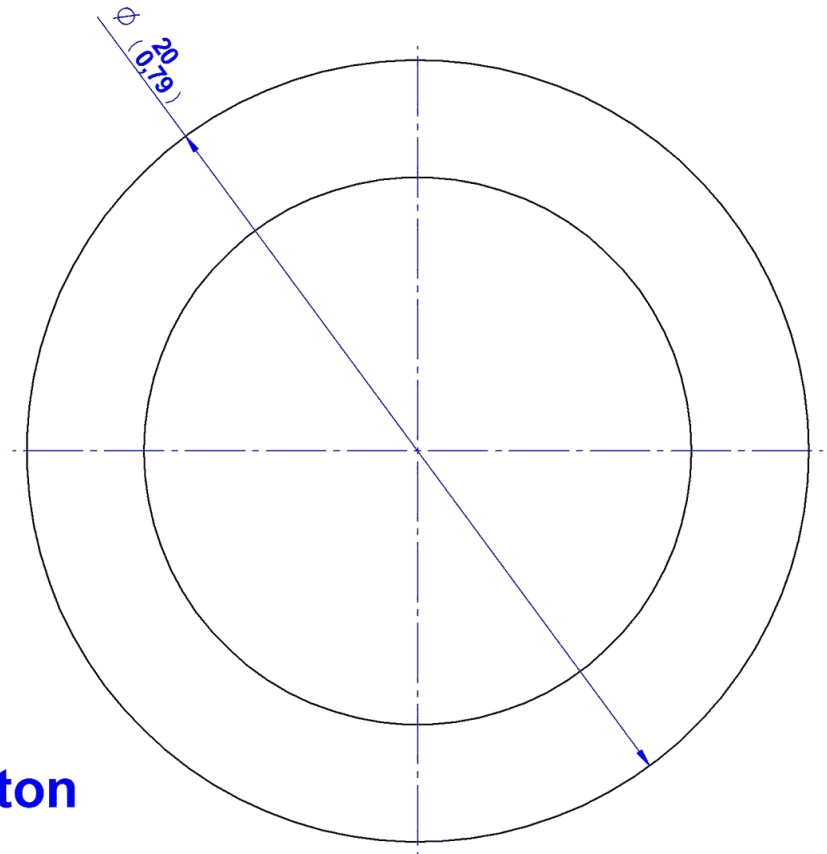
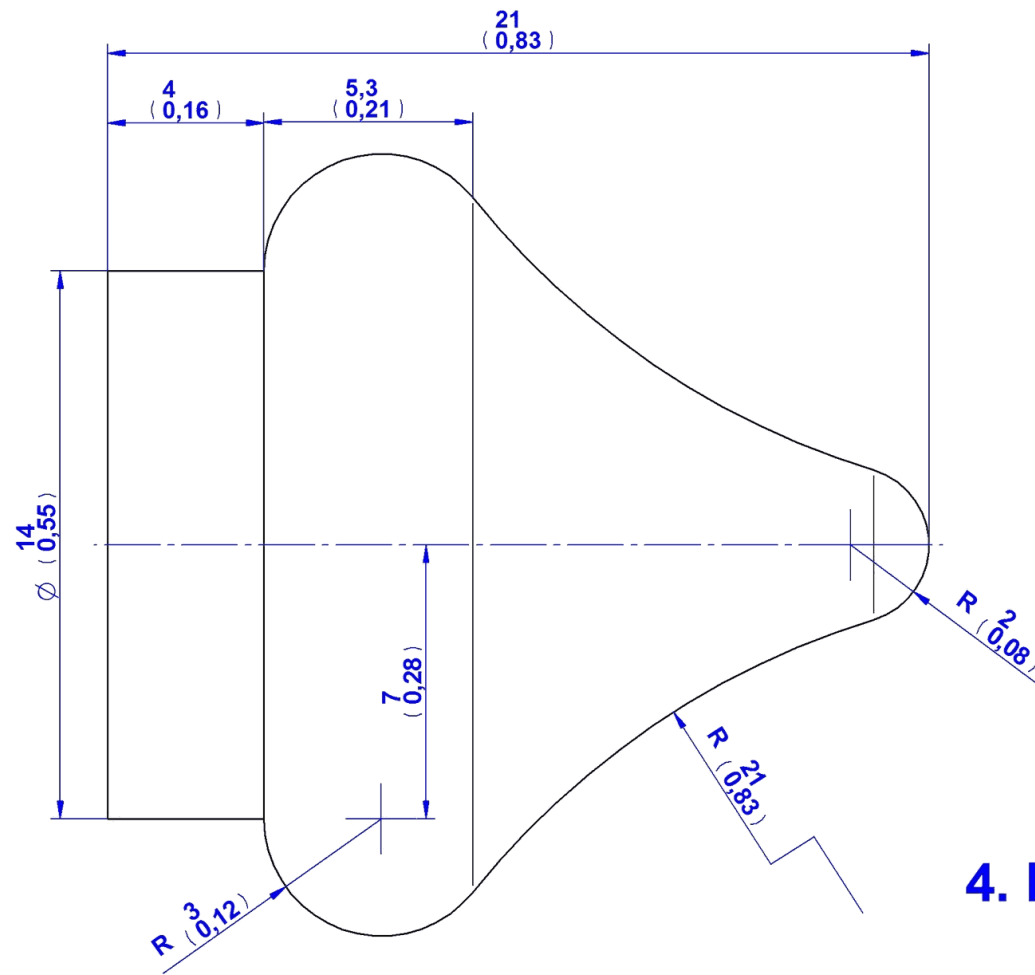
2. Post



3. Top



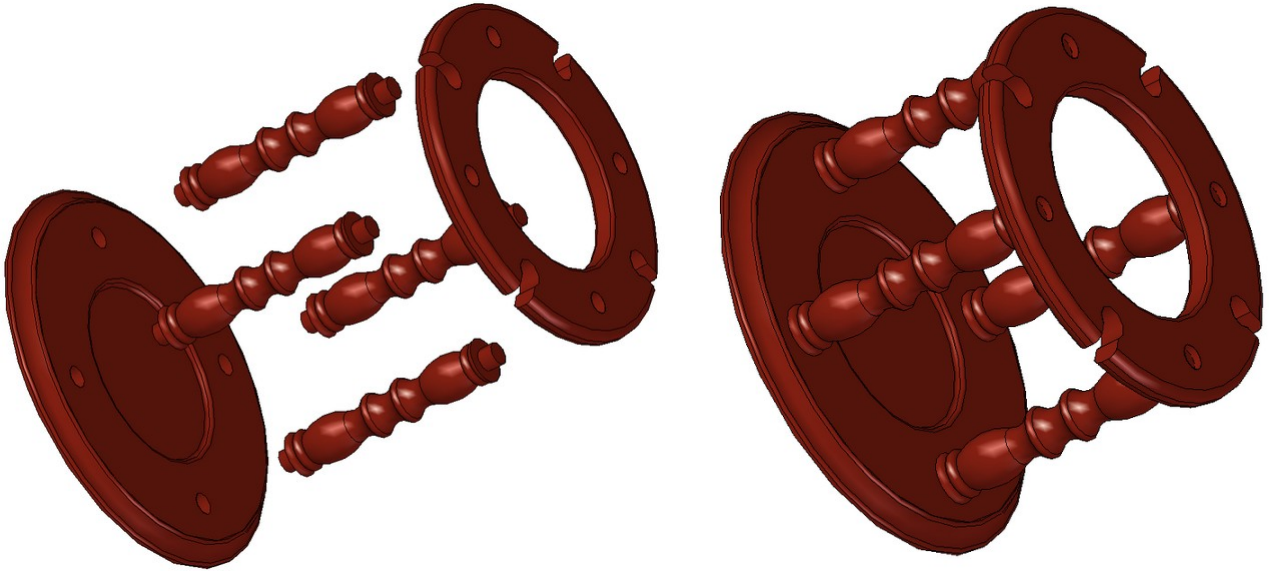
SECTION A-A



4. Button

Assemblage images

1.



2.

