

## Wooden curtain rods plans

Here are four plans that will help you make decorative wooden curtain rods. All the four curtain rods consist of the following basic parts: Curtain rod (other names: curtain pole, curtain dowel), rod ends (other names: finials, dowel caps, Wooden rod Caps), curtain rod supports (other names: curtain rod holders, wall fix brackets, wall brackets) and rings.



A curtain rod is a long wooden pole that you can make by using a Dowel maker or router table. On the internet you can also buy cheap curtain poles of various diameters and lengths, made of various types of wood and prefinished in a large variety of stains and paints, or they can be purchased unfinished.

Finials, rings and brackets can be made on a lathe. To create these parts, you can take advantage of our drawings or you can accept the challenge to design them yourselves.

For curtain rods version 1, version 3 and version 4, the finials have a longitudinal hole through which they are pulled onto the pole, and there is also an option to make the finials without this hole and mount them onto the pole with dowel screws.

All the parts can be made of various types of wood: Walnut, cherry, maple, birch, oak, poplar, ash.

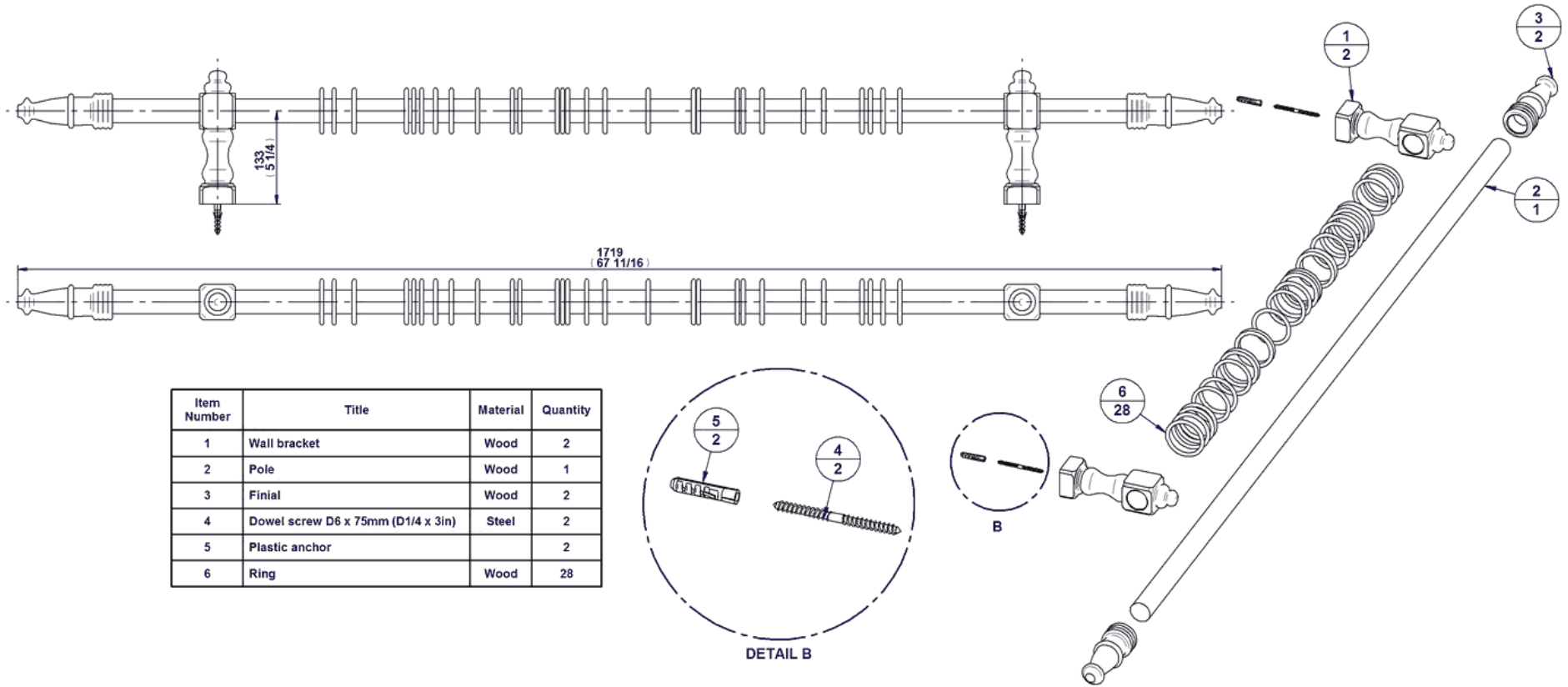
The pole length should be adjusted to your window. We recommend that the length of the pole is increased by 30 – 50 cm on each side of the window.

The curtain pole may be smaller in diameter and depends on the strength of wood to use. If you need a pole length greater than 2 m – 2.5 m, use an additional third bracket that you will put in the middle.

Curtain rods can be wall or ceiling mount (with proper anchors).

Curtain rod plan - version 1

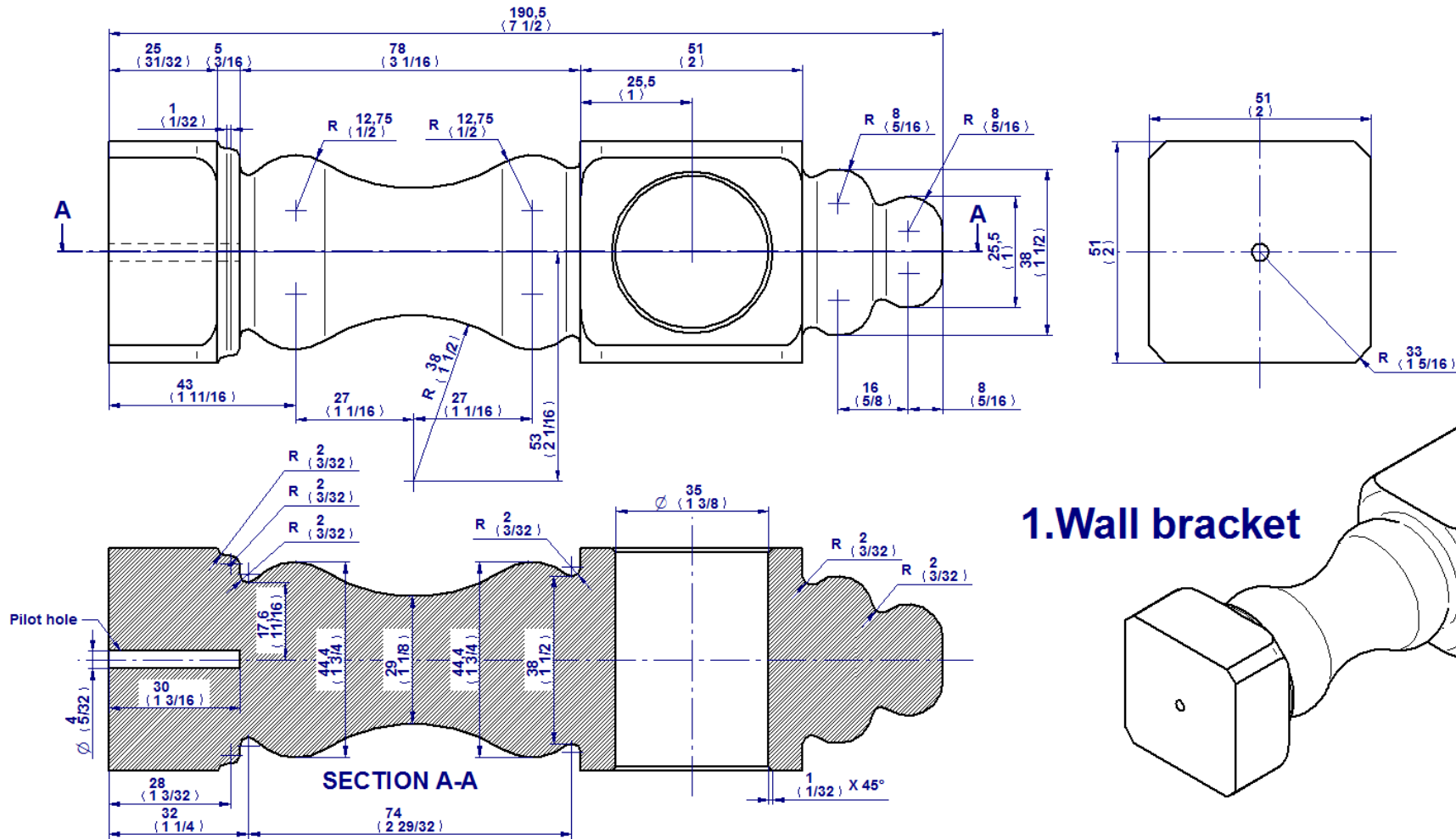
Assembly drawing, parts list and exploded view



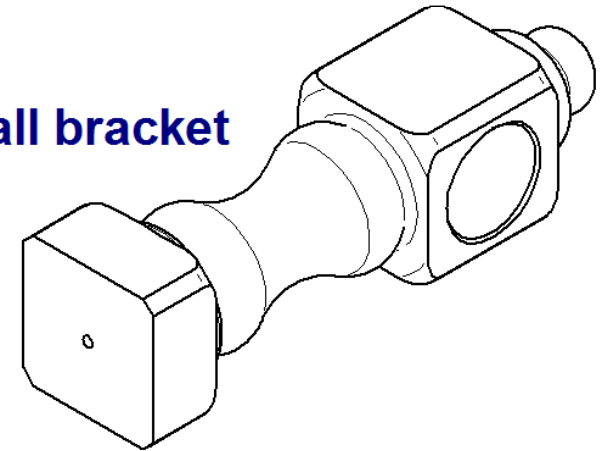
Item Number	Title	Material	Quantity
1	Wall bracket	Wood	2
2	Pole	Wood	1
3	Finial	Wood	2
4	Dowel screw D6 x 75mm (D1/4 x 3in)	Steel	2
5	Plastic anchor		2
6	Ring	Wood	28

Curtain rod plan - version 1

Part 1 - Wall bracket

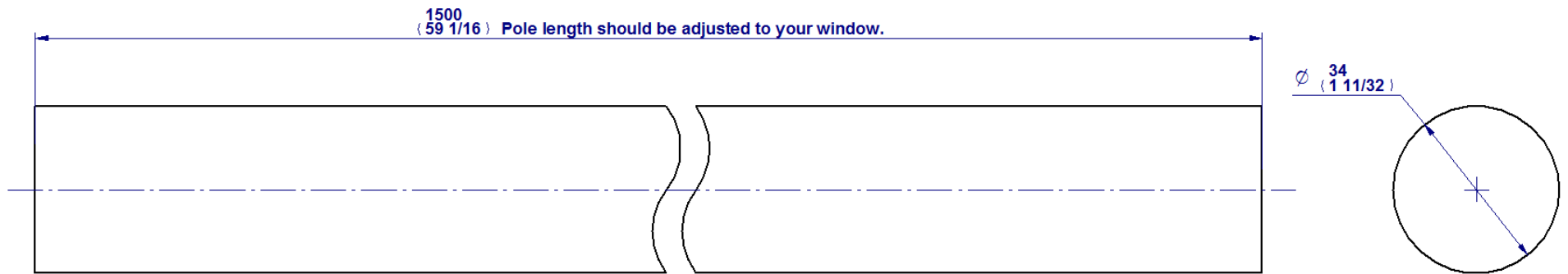


1.Wall bracket



**Curtain rod plan - version 1**

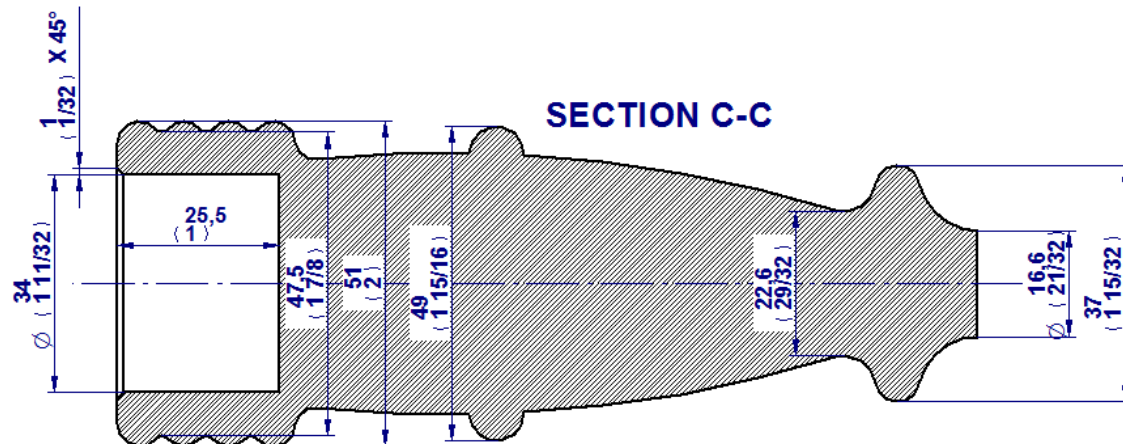
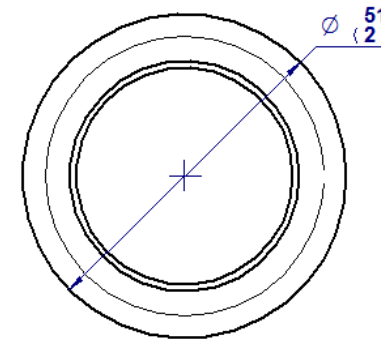
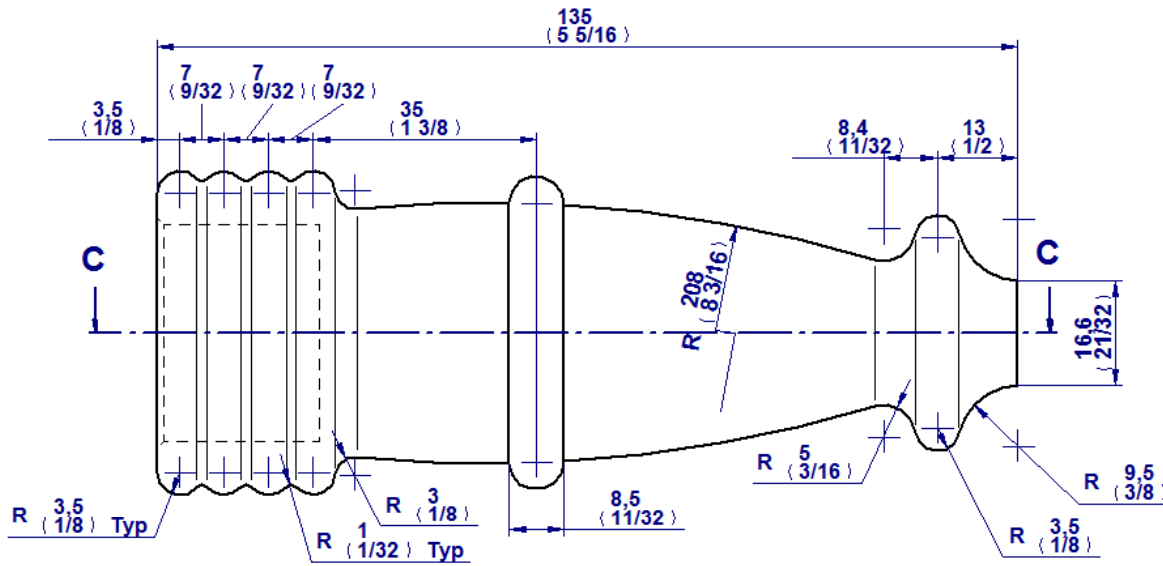
Part 2 – Curtain pole



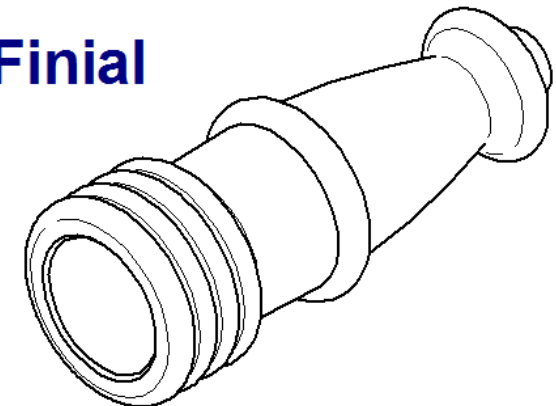
**2. Pole**

Curtain rod plan - version 1

Part 3 - Finial

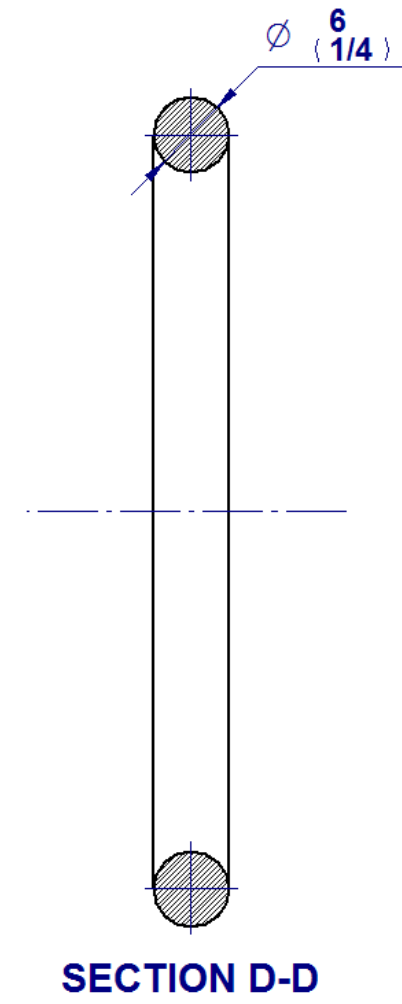
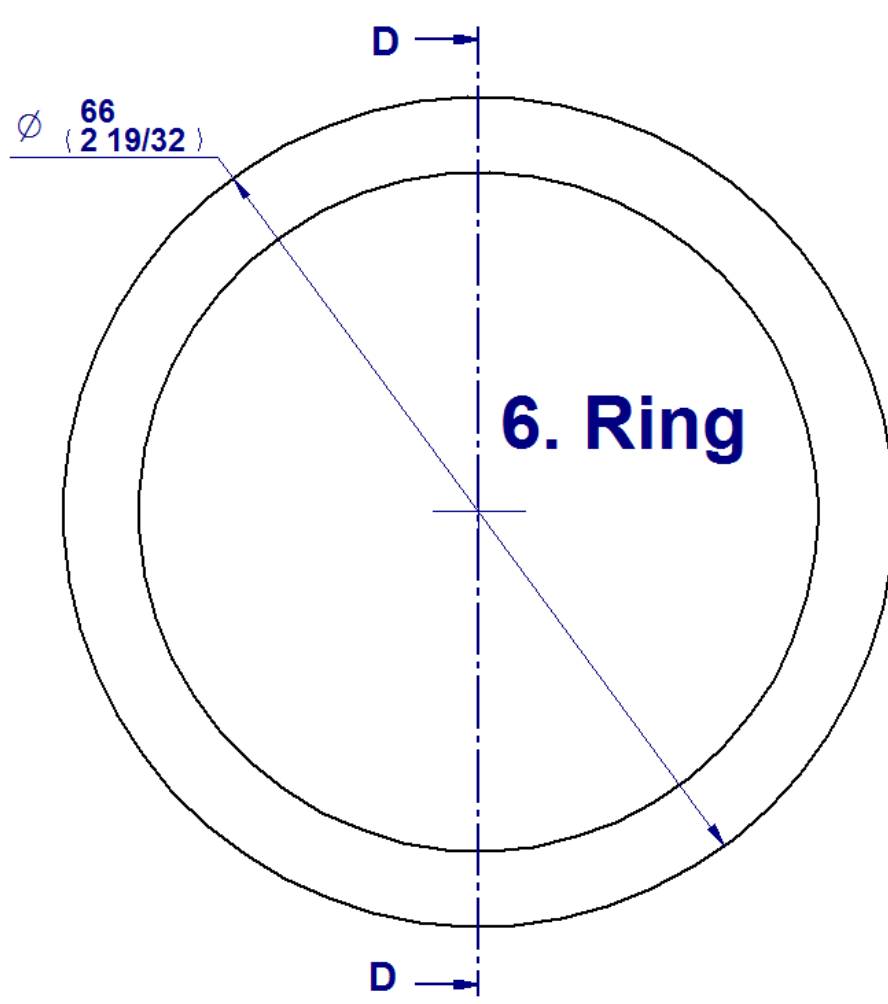


3. Finial



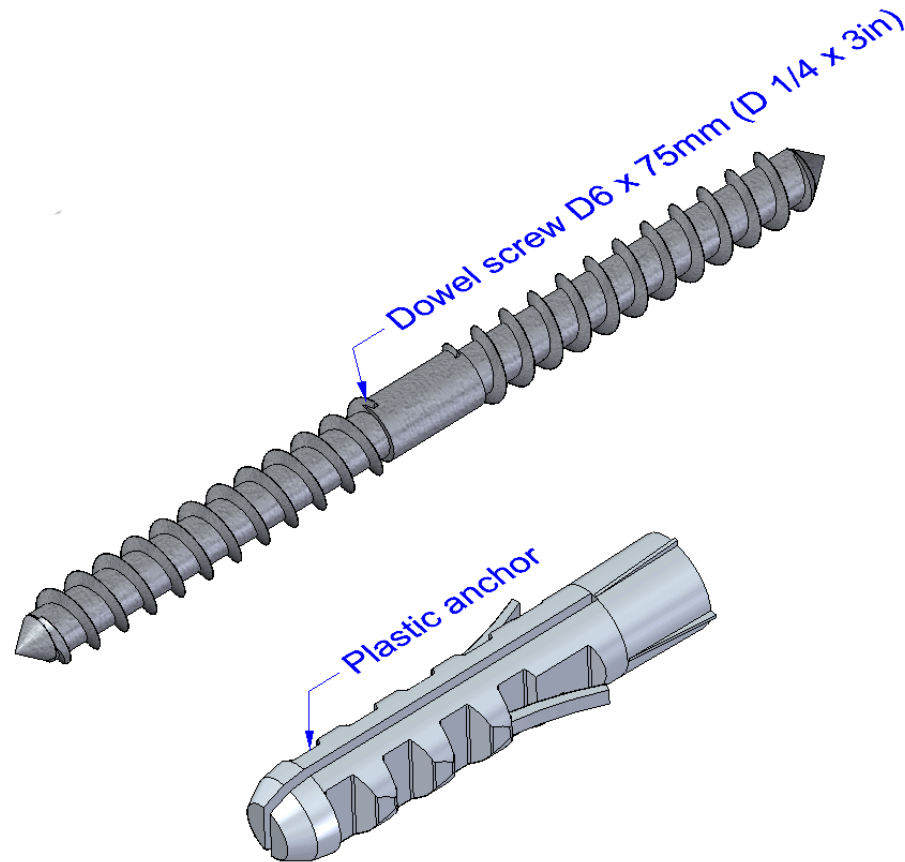
Curtain rod plan - version 1

Part 6 - Ring



**Curtain rod plan - version 1**

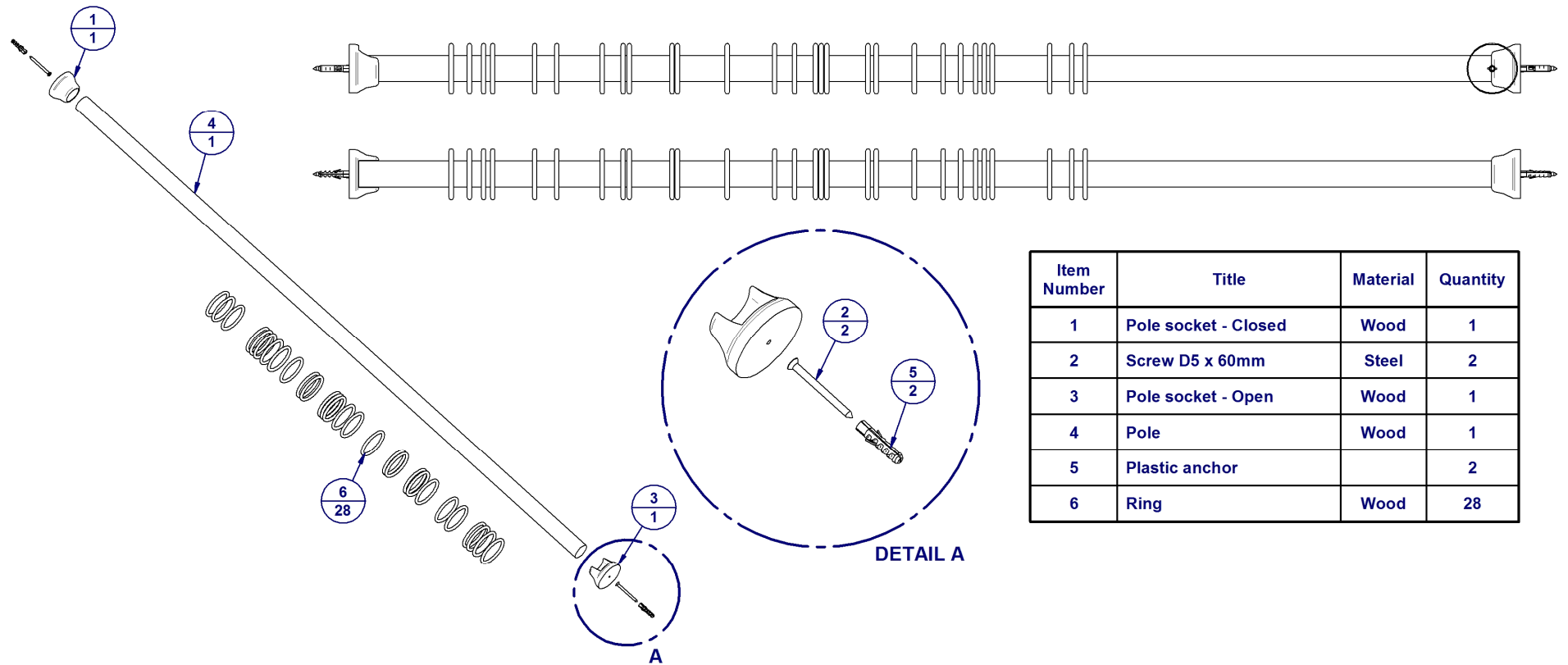
Standard parts





**Curtain rod plan - version 2**

Assembly drawing, parts list and exploded view

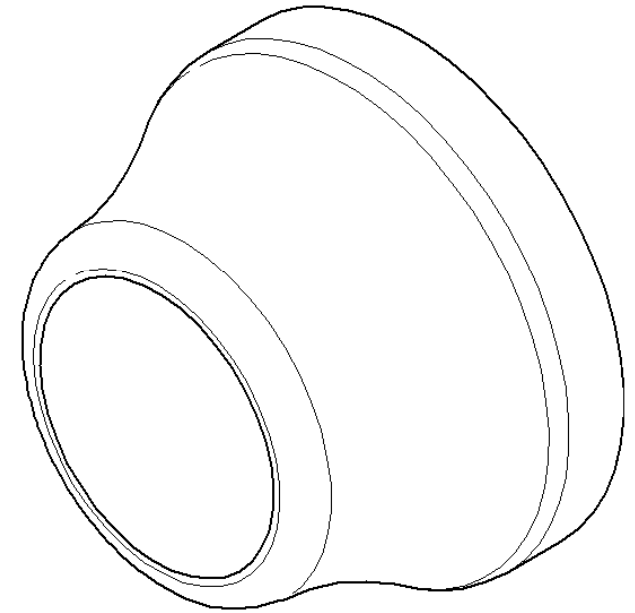
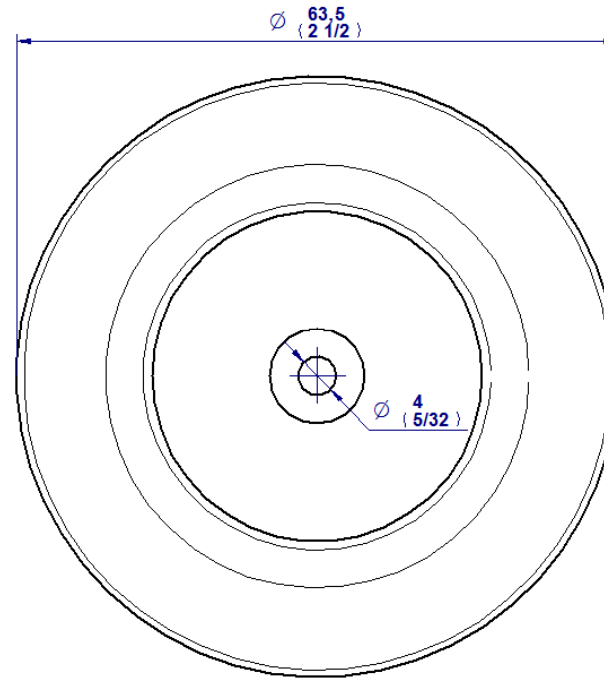
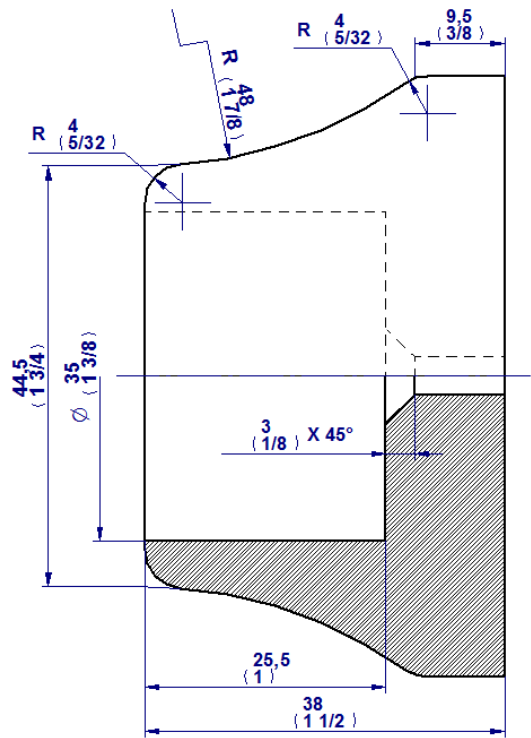


Item Number	Title	Material	Quantity
1	Pole socket - Closed	Wood	1
2	Screw D5 x 60mm	Steel	2
3	Pole socket - Open	Wood	1
4	Pole	Wood	1
5	Plastic anchor		2
6	Ring	Wood	28

## Curtain rod plan - version 2

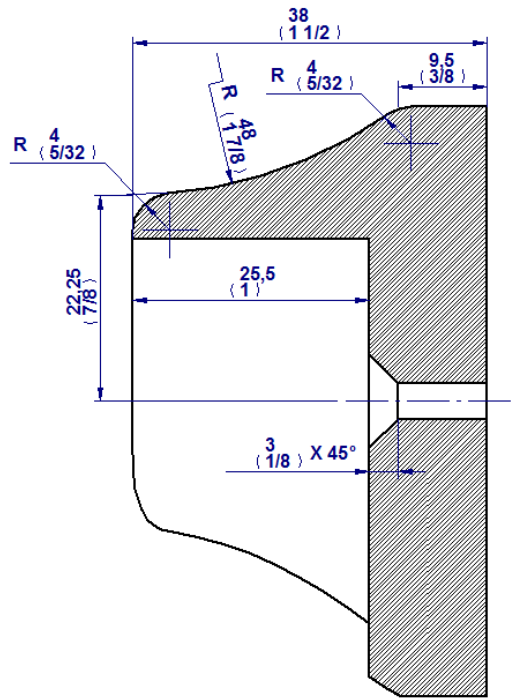
Part 1 - Pole socket - closed

### 1. Pole socket - Closed



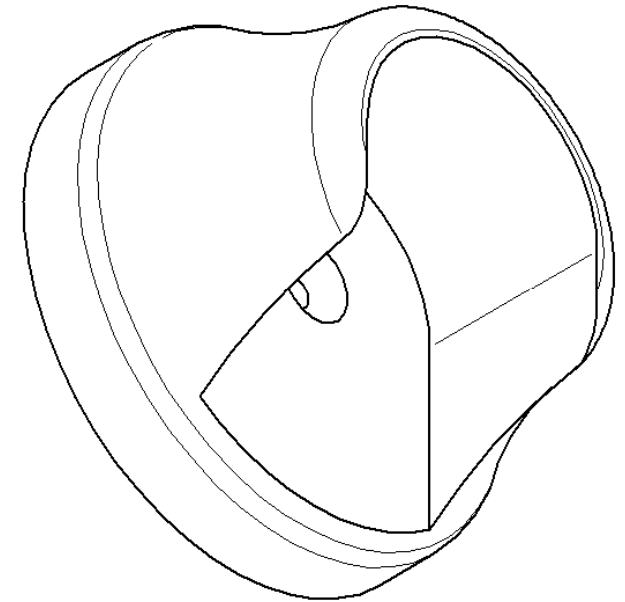
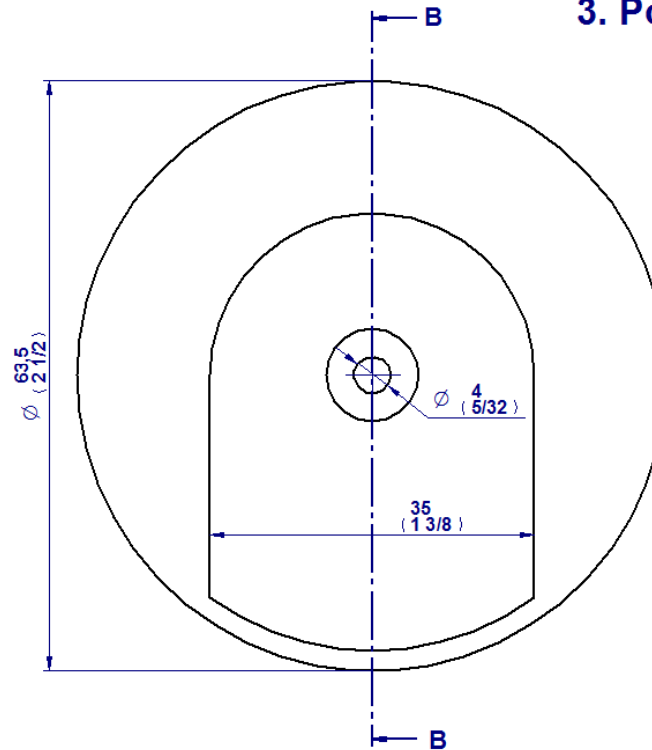
### Curtain rod plan - version 2

#### Part 3 - Pole socket - open



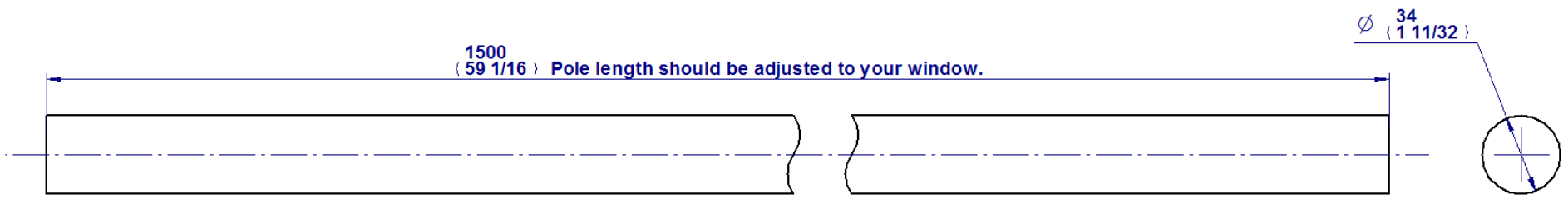
SECTION B-B

### 3. Pole socket - Open



Curtain rod plan - version 2

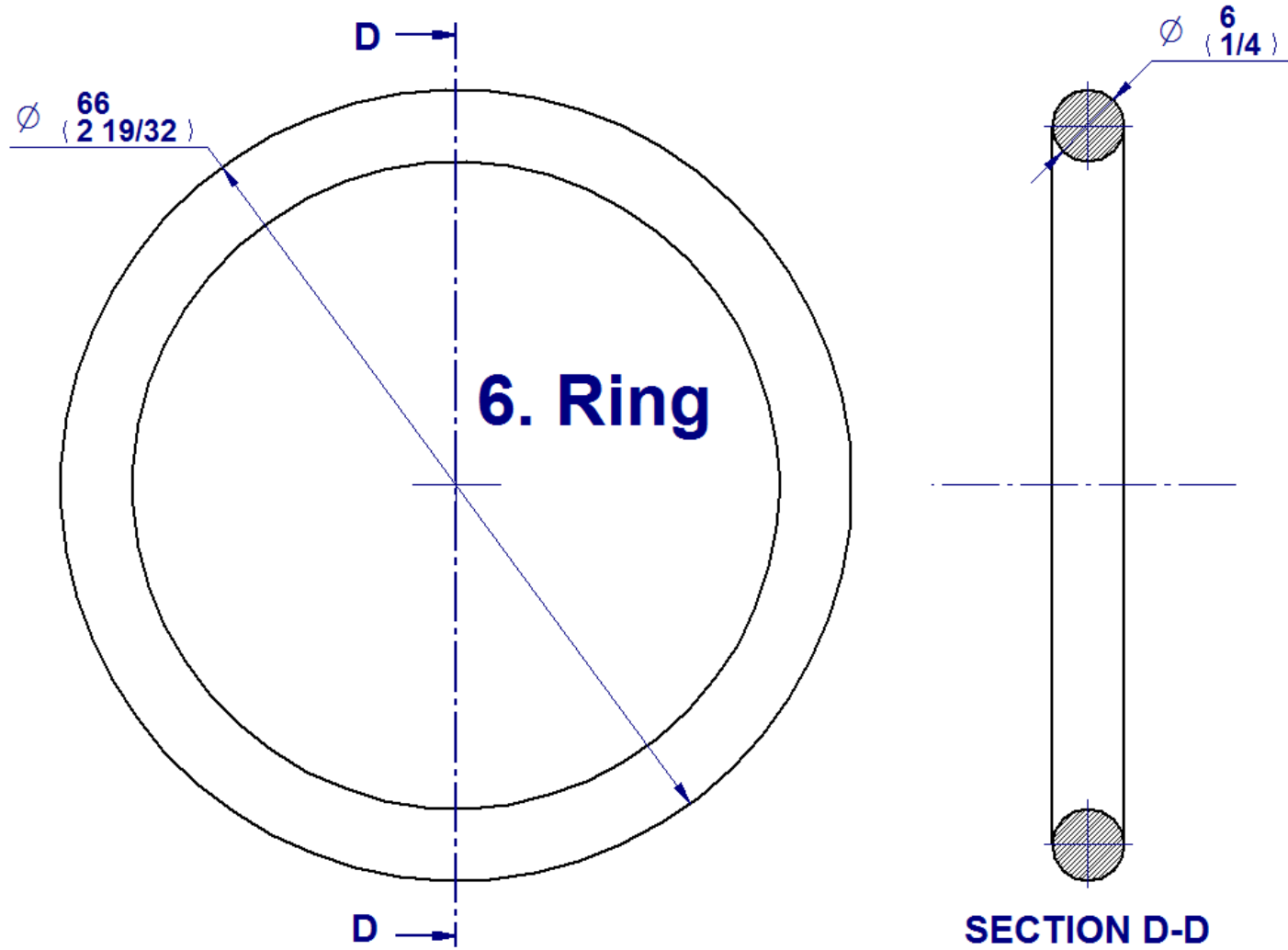
Part 4 – Curtain pole



**4. Pole**

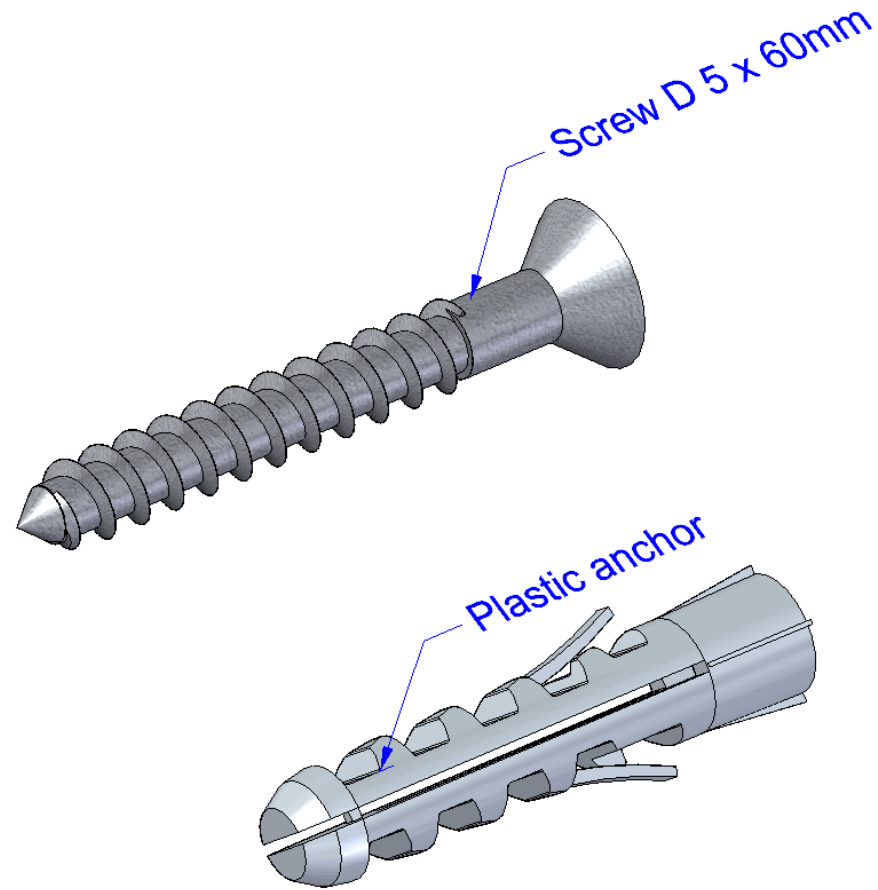
Curtain rod plan - version 2

Part 6 – Ring



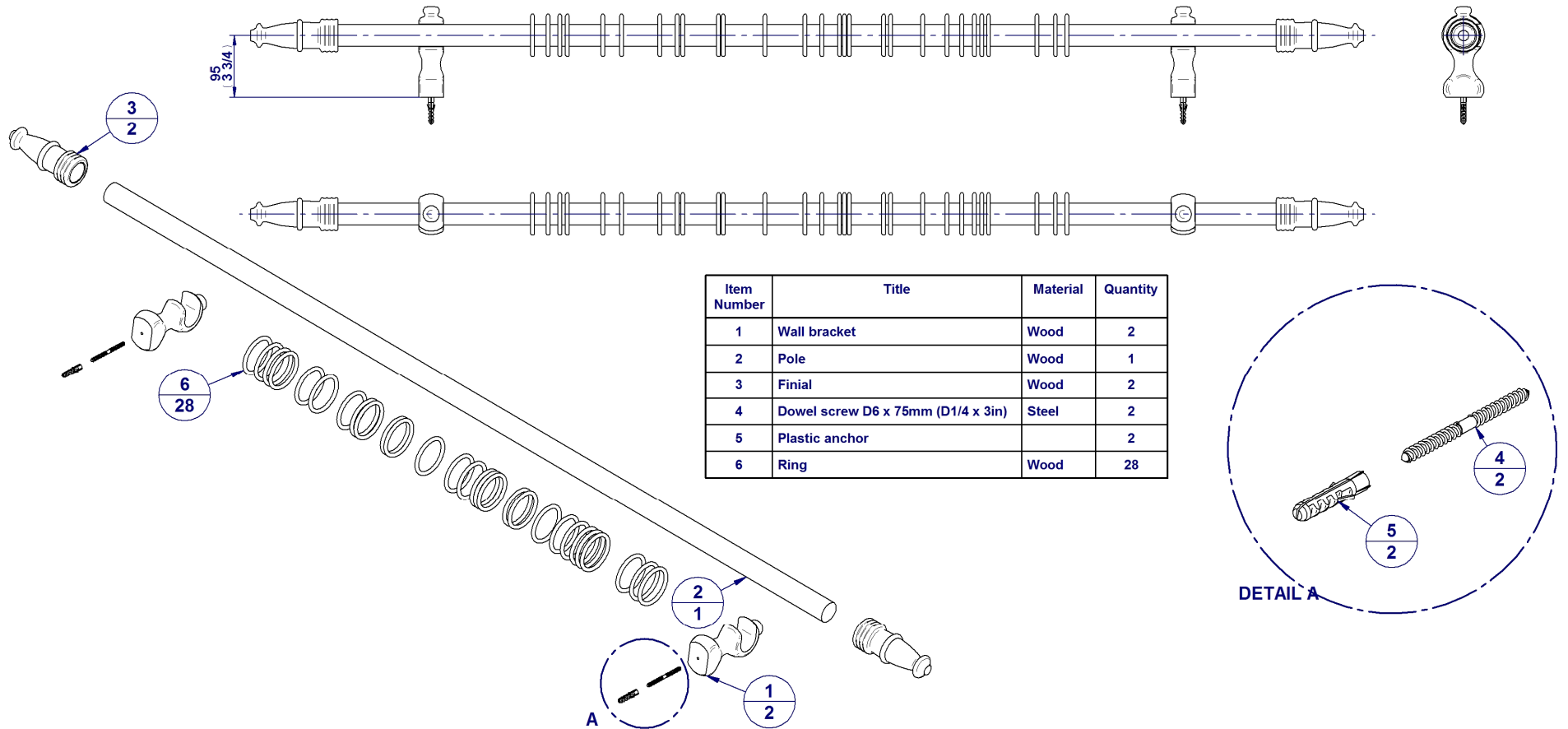
**Curtain rod plan - version 2**

Standard parts



Curtain rod plan - version 3

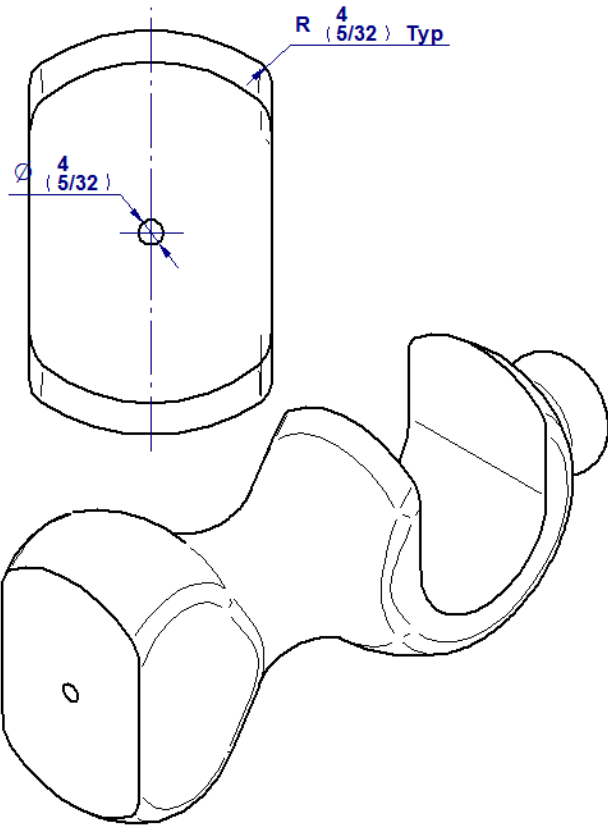
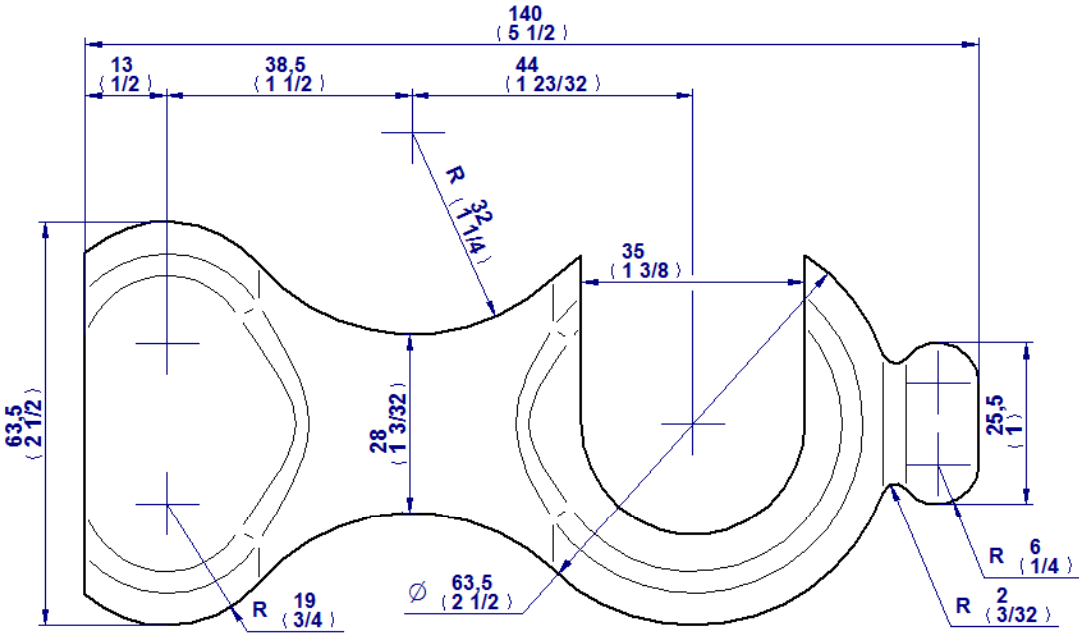
Assembly drawing, parts list and exploded view



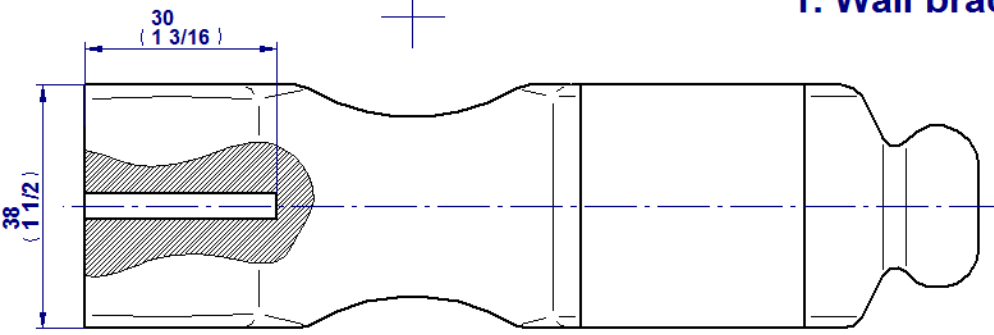
Item Number	Title	Material	Quantity
1	Wall bracket	Wood	2
2	Pole	Wood	1
3	Finial	Wood	2
4	Dowel screw D6 x 75mm (D1/4 x 3in)	Steel	2
5	Plastic anchor		2
6	Ring	Wood	28

Curtain rod plan - version 3

Part 1 – Wall bracket



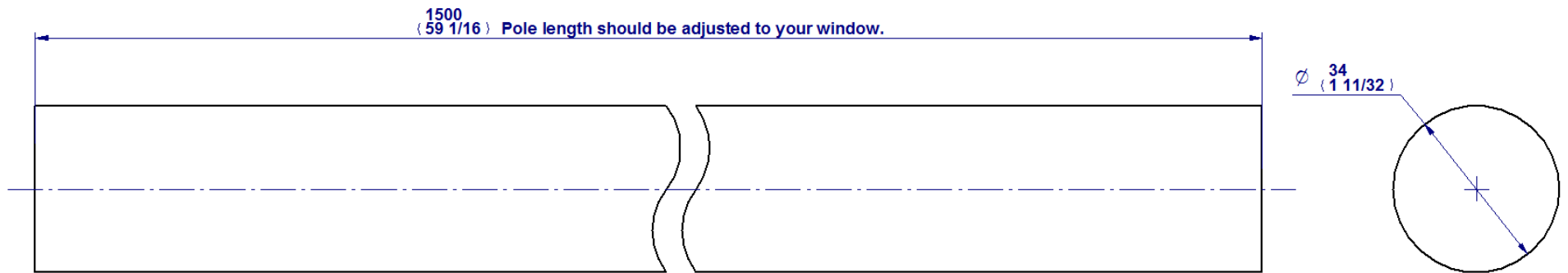
1. Wall bracket





Curtain rod plan - version 3

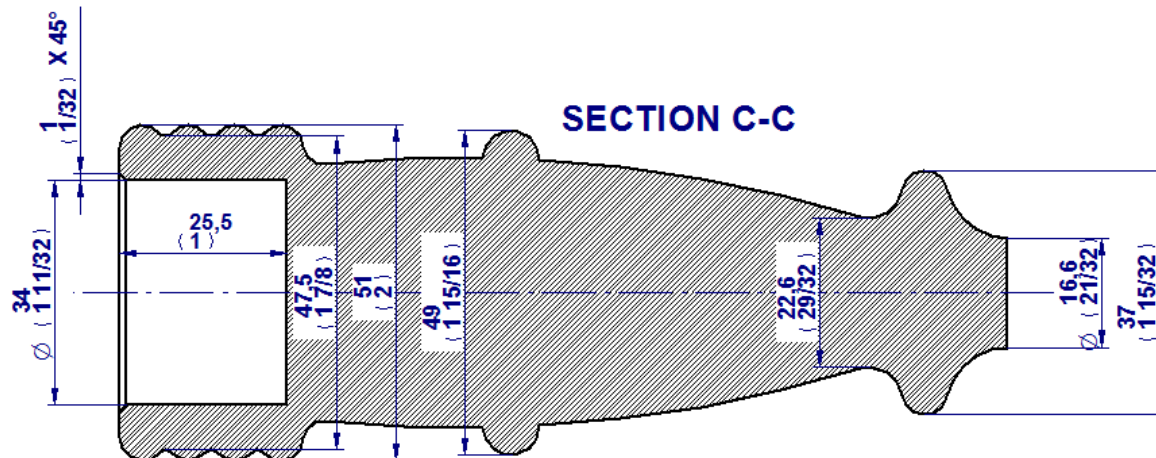
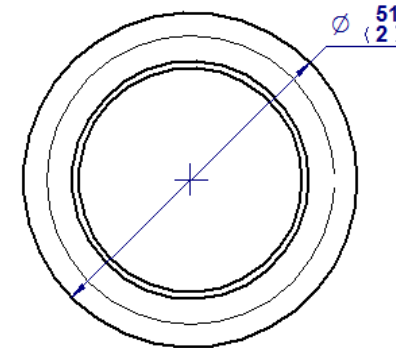
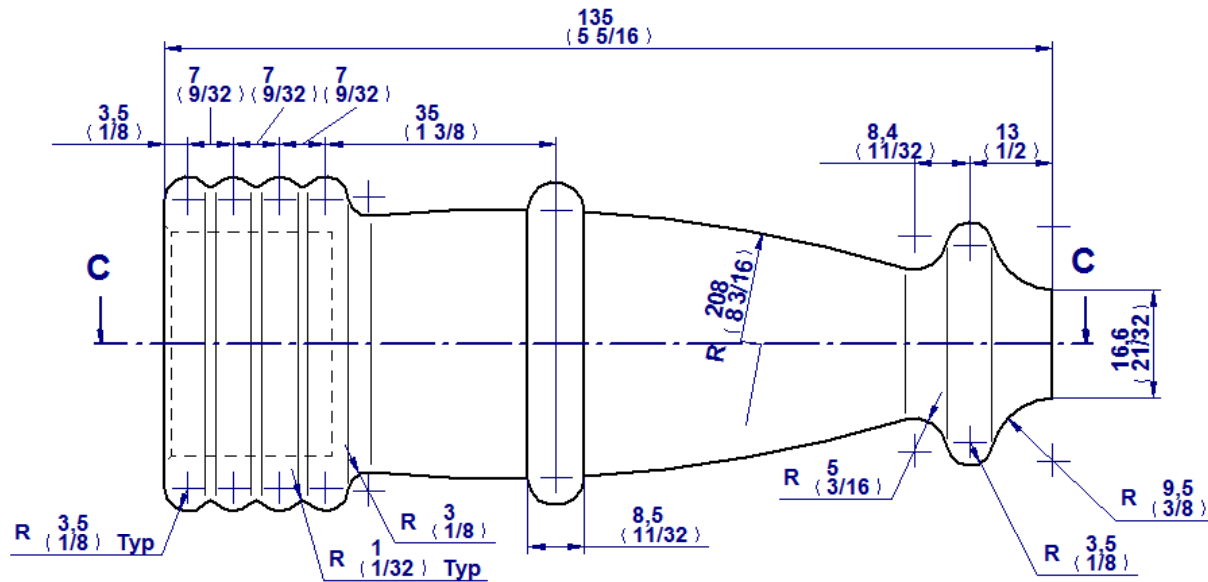
Part 2 – Curtain pole



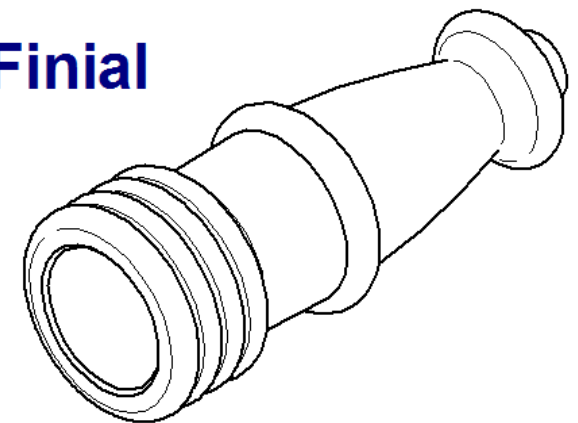
**2. Pole**

Curtain rod plan - version 3

Part 3 – Finial

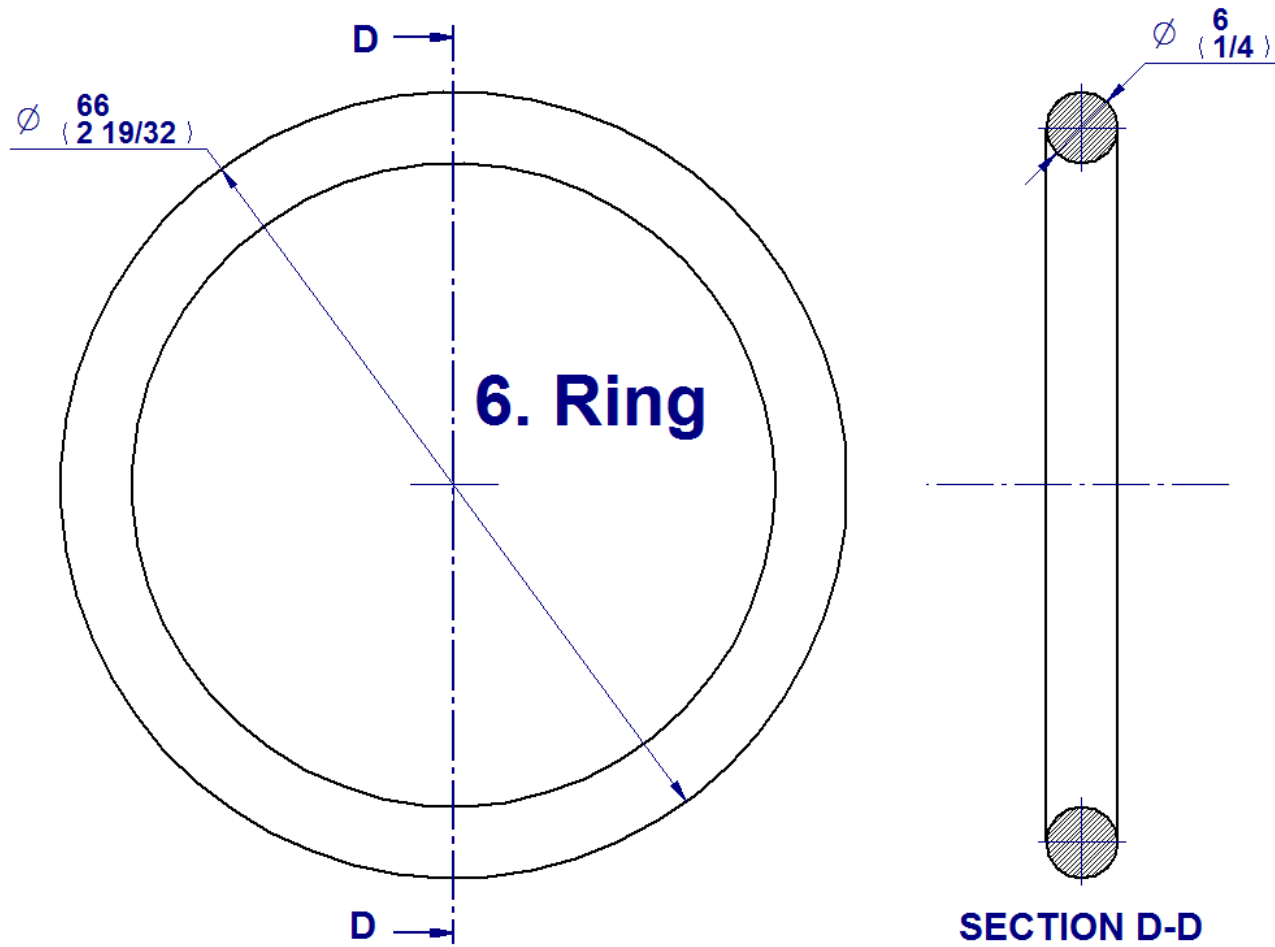


3. Finial



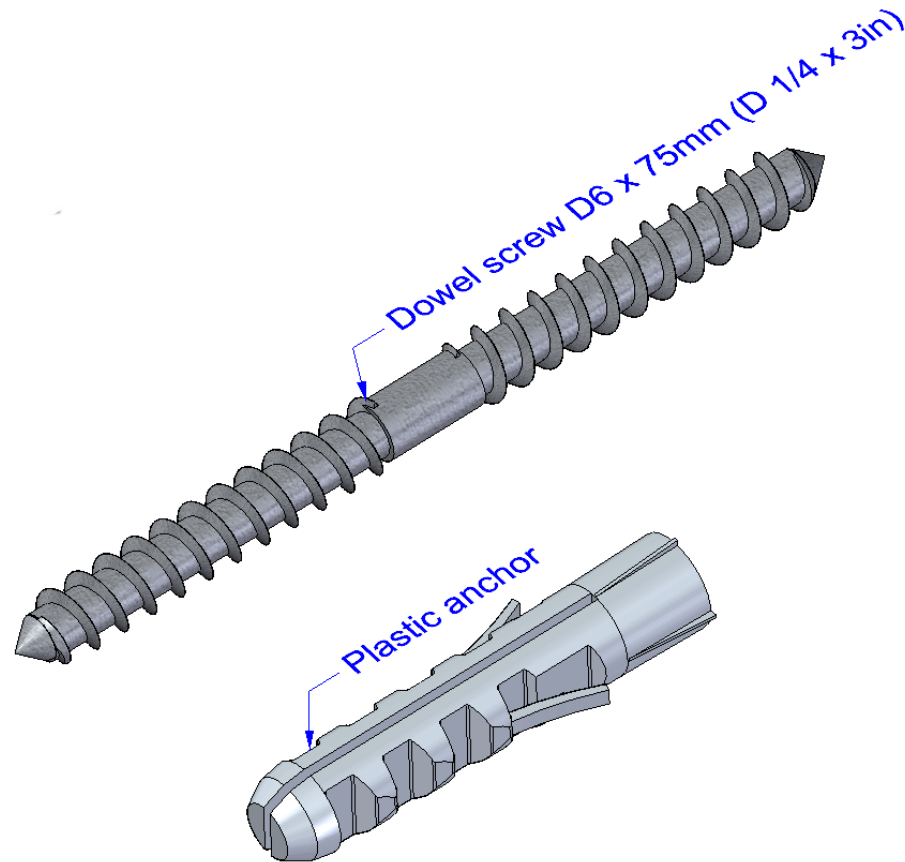
Curtain rod plan - version 3

Part 6 – Ring



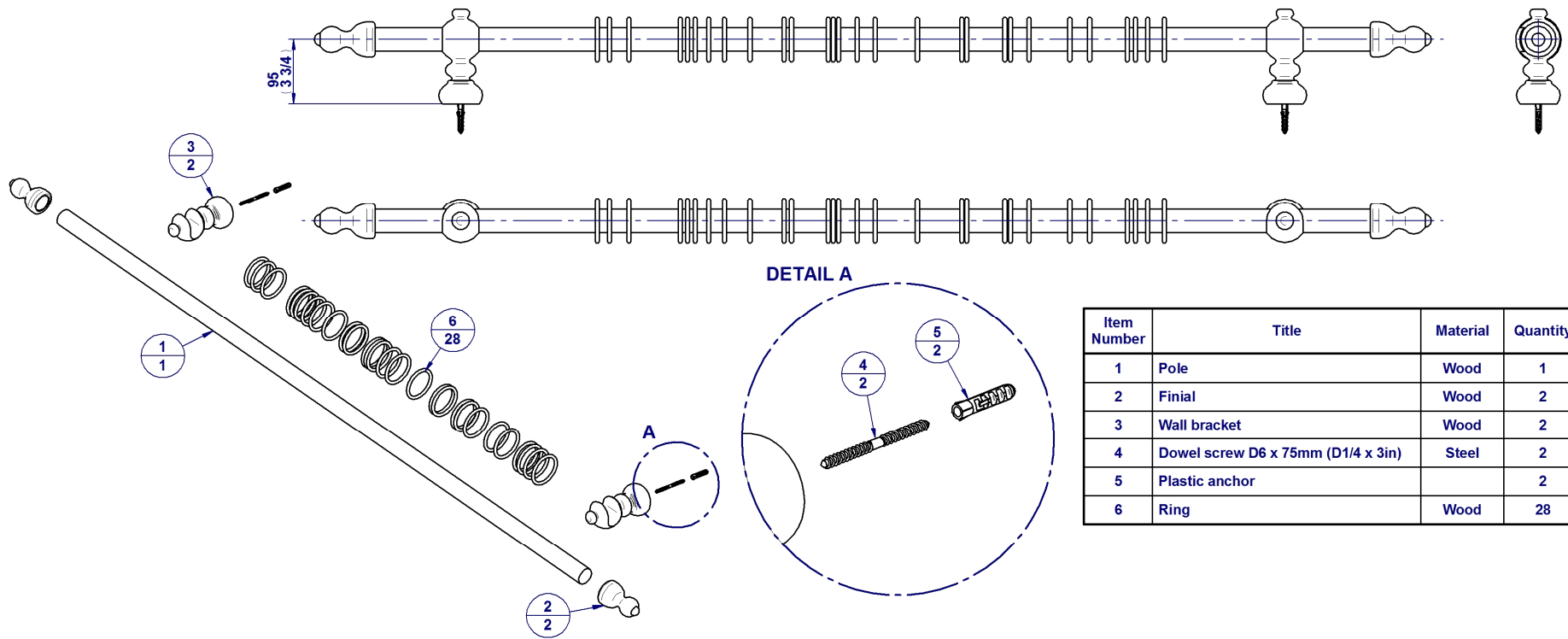
**Curtain rod plan - version 3**

Standard parts



Curtain rod plan - version 4

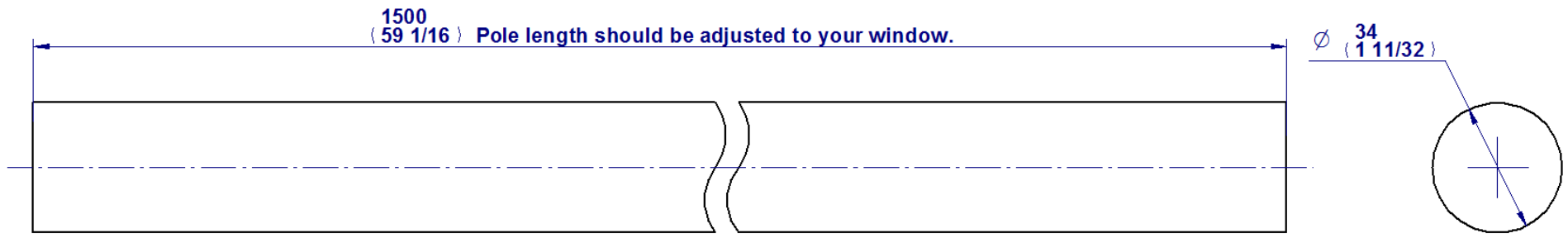
Assembly drawing, parts list and exploded view



Item Number	Title	Material	Quantity
1	Pole	Wood	1
2	Finial	Wood	2
3	Wall bracket	Wood	2
4	Dowel screw D6 x 75mm (D1/4 x 3in)	Steel	2
5	Plastic anchor		2
6	Ring	Wood	28

Curtain rod plan - version 4

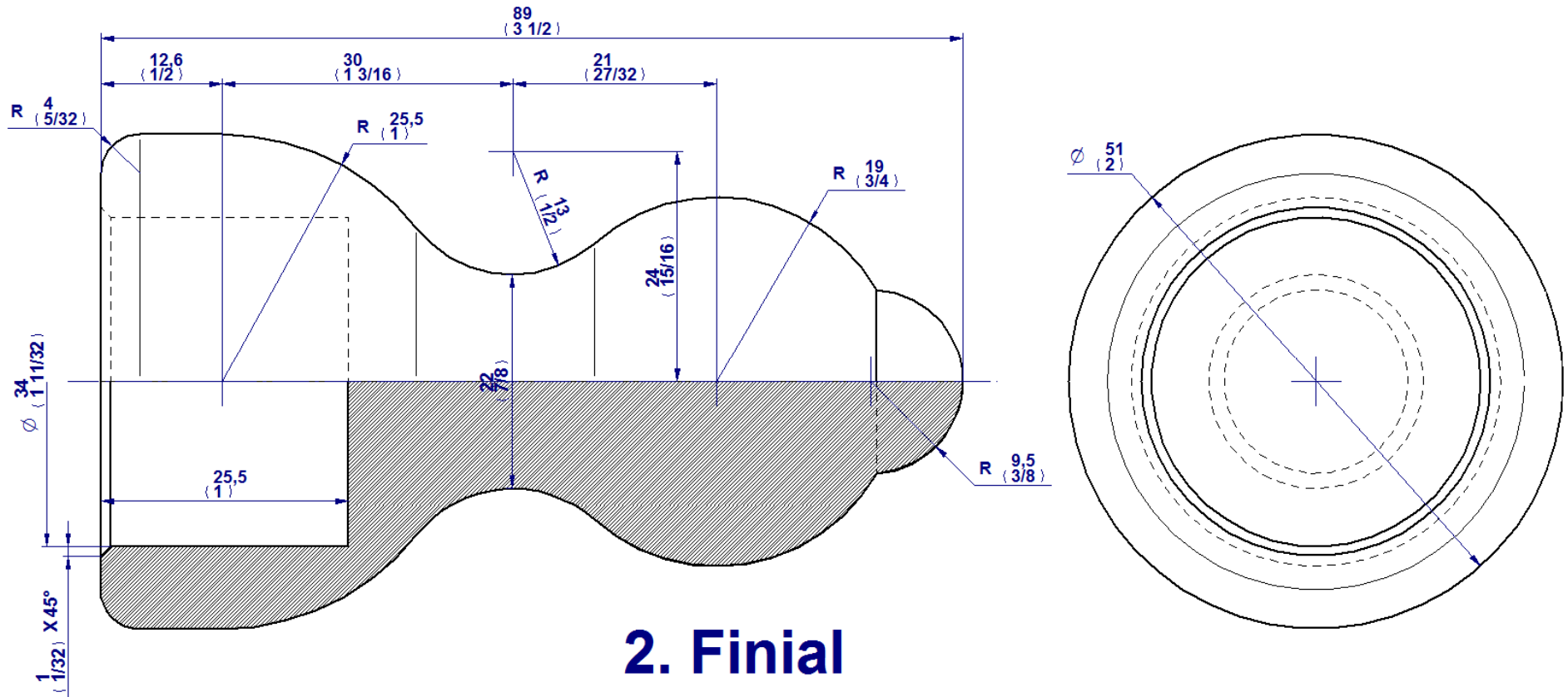
Part 1 – Curtain pole



# 1. Pole

### Curtain rod plan - version 4

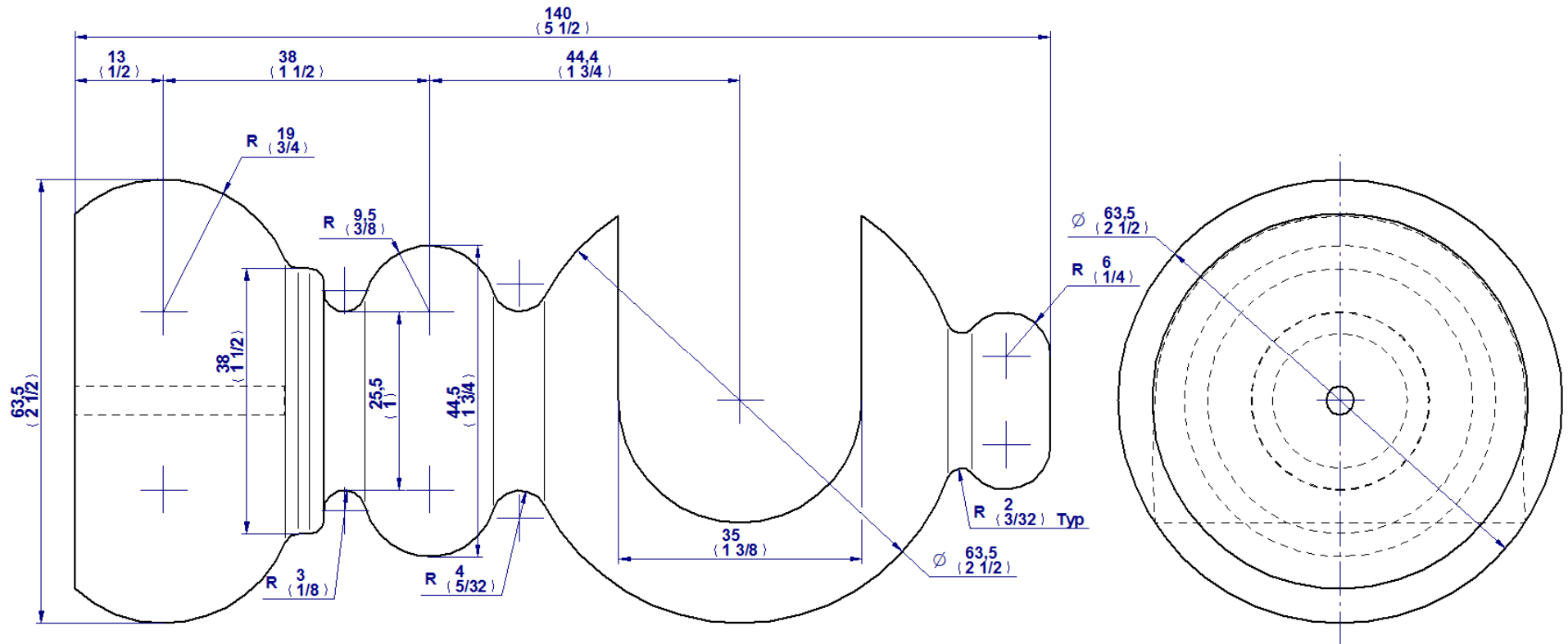
#### Part 2 – Finial



## 2. Finial

### Curtain rod plan - version 4

#### Part 3 – Wall bracket

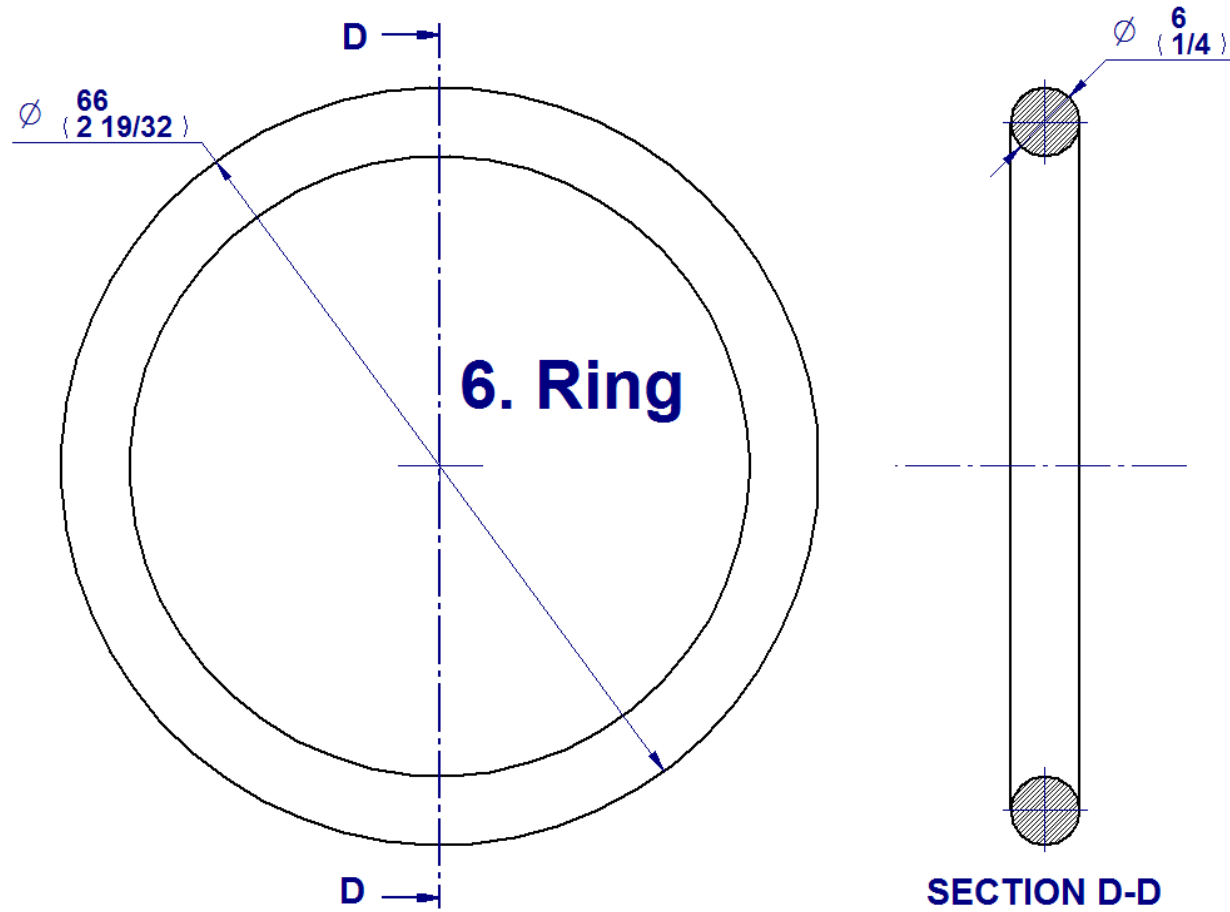


### 3. Wall bracket



Curtain rod plan - version 4

Part 6 – Ring



**Curtain rod plan - version 4**

Standard parts

