

Wooden spice box plans



Spices are very important aromatic plant substances to add flavor to food, which is why no kitchen is without them, literally! In order for the kitchen to be organized, for each spice it is necessary to find an appropriate box and a suitable place for it. The spice box must be easy to open and the spice rack placed at your fingertips when cooking. At the handicrafts fair were inspired by a very nice and convenient spice storage box ((Sliding salt and pepper box plan)), according to which all 7 plans of spice boxes have been developed to be offered to you here. As you can see in the pictures, the design of all the boxes is based on the one from the first plan (Wooden round salt box plan) by their horizontal or vertical rearrangement.

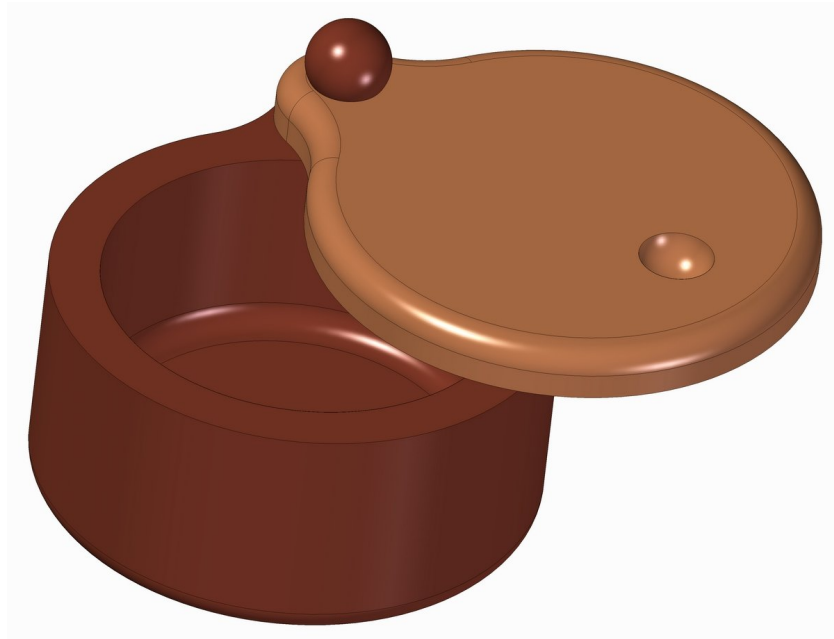
The basic box from the first plan is very simple and consists of only three pieces: a bowl, an axle (Pin) and a cover (Lid). The bowl does not necessarily have a circular base, it can also be square, pentagonal, etc. The body of the bowl can be made in many ways. We recommend you to cut segments (Bandsaw boxes making principle) of desired thickness and then glue them together as shown in the picture.

Do a thorough job sanding the bowl and then apply some food-safe finish.

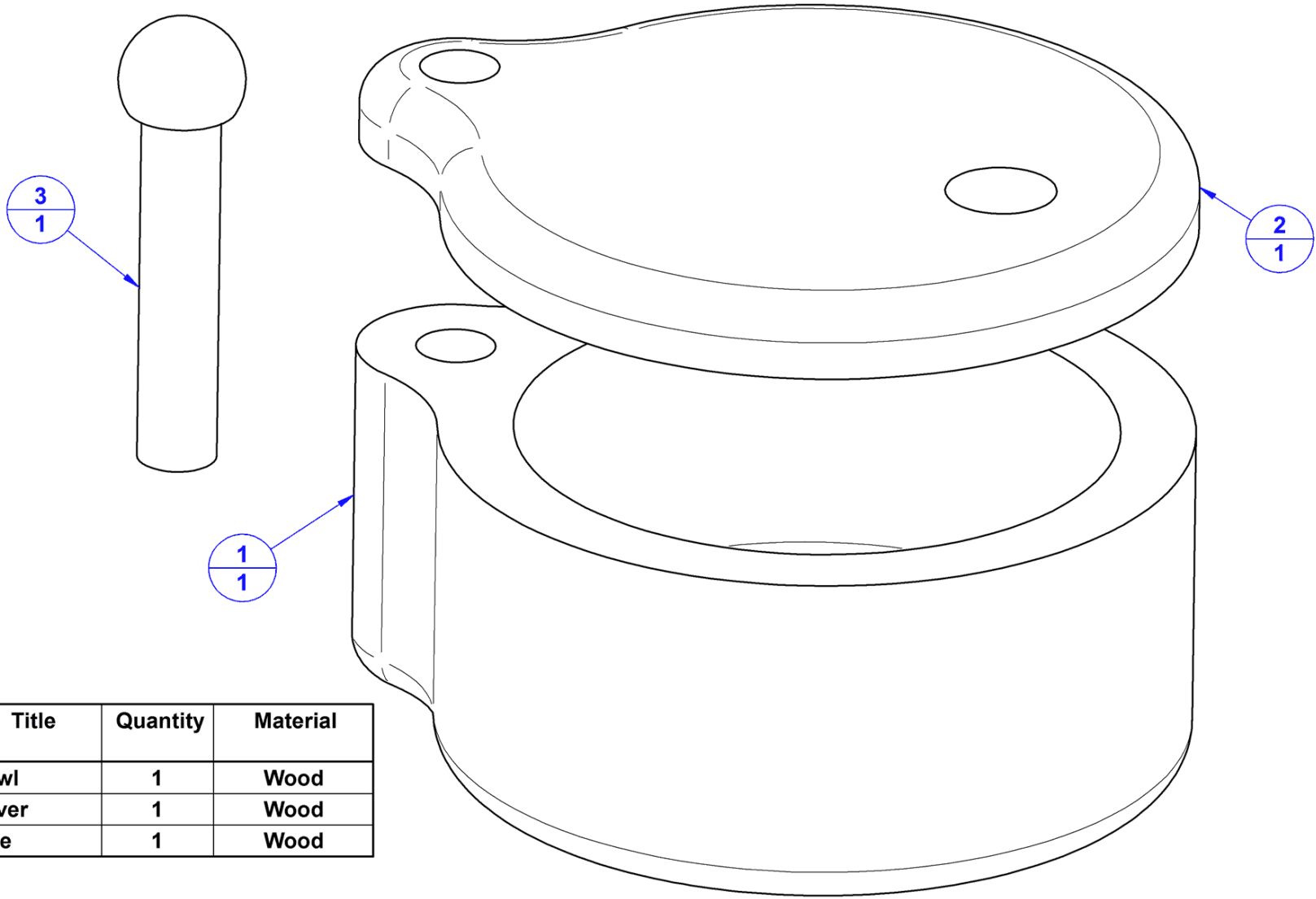
Such boxes are typically found in rural areas and traditionally decorated on their outer surface either with chip carving technique or by painting various motifs.

These 7 plans can serve you to make exactly the same boxes, but we hope that, on the basis of the seven ideas given, you will try to develop your own spice rack design. By changing the dimensions, the boxes can be used to store not only spices but also various other ingredients, items, etc. The use of these spice boxes is very practical because the lids move/open easily and the spices are spooned or pinched out of them.

Round salt box plan

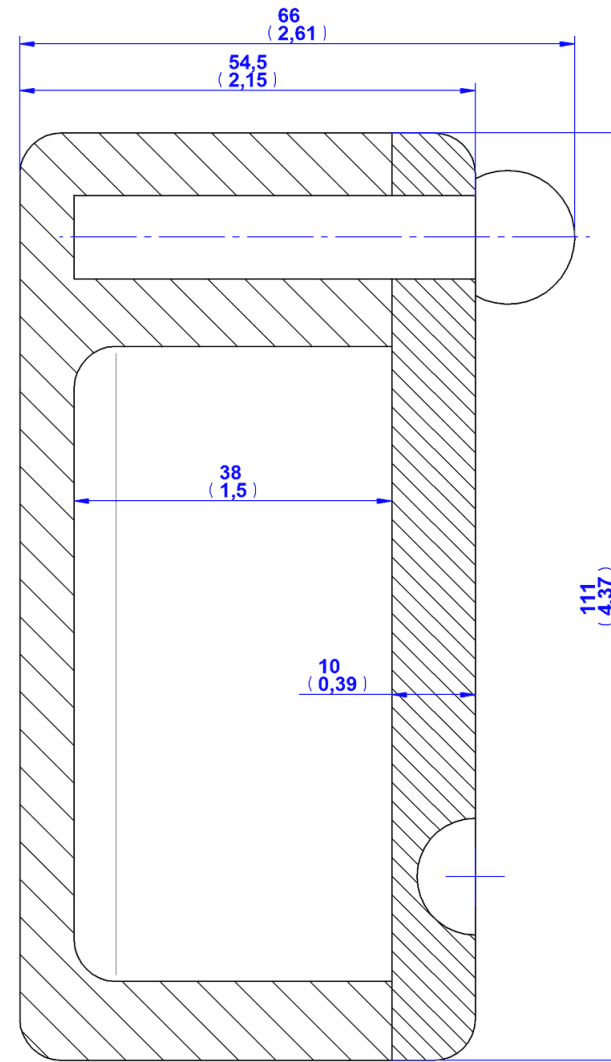
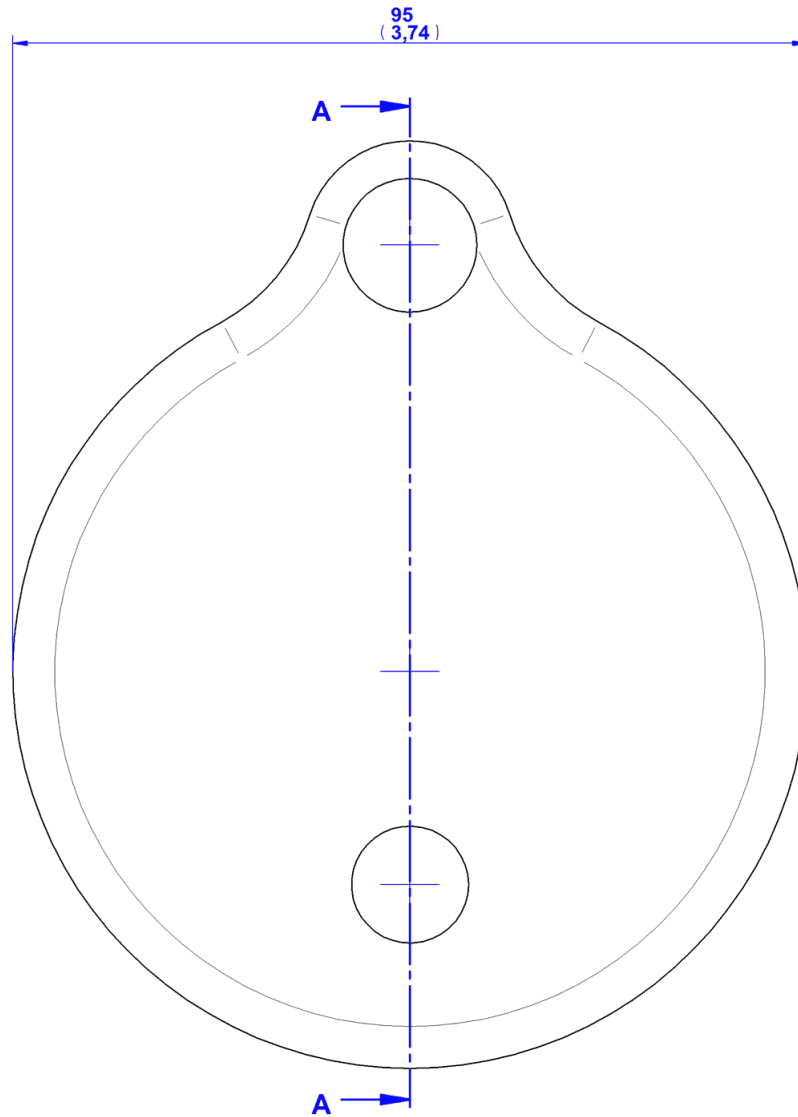


Round salt box plan – Parts list



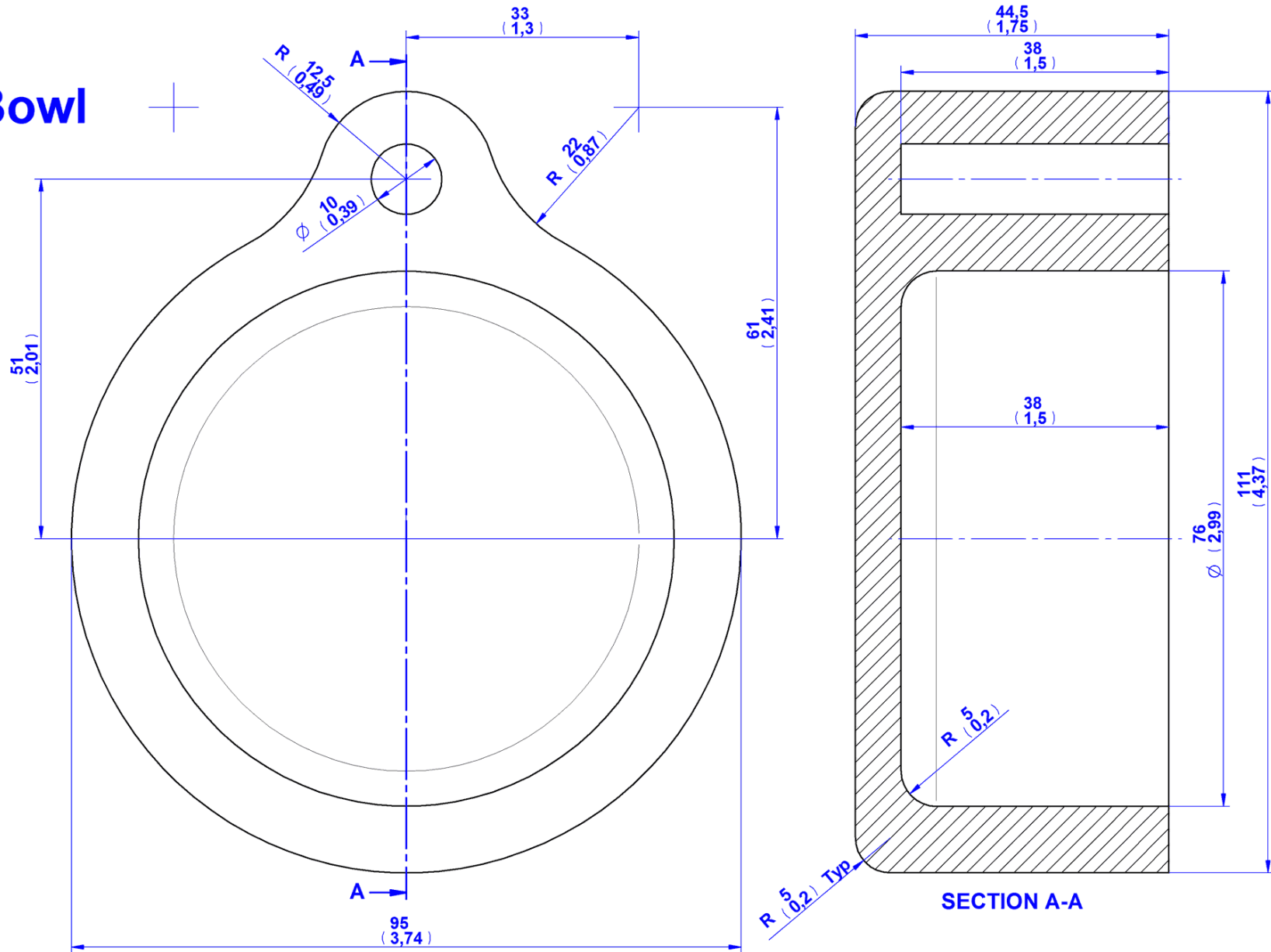
Item Number	Title	Quantity	Material
1	Bowl	1	Wood
2	Cover	1	Wood
3	Axle	1	Wood

Round salt box plan – Assembly 2D drawing

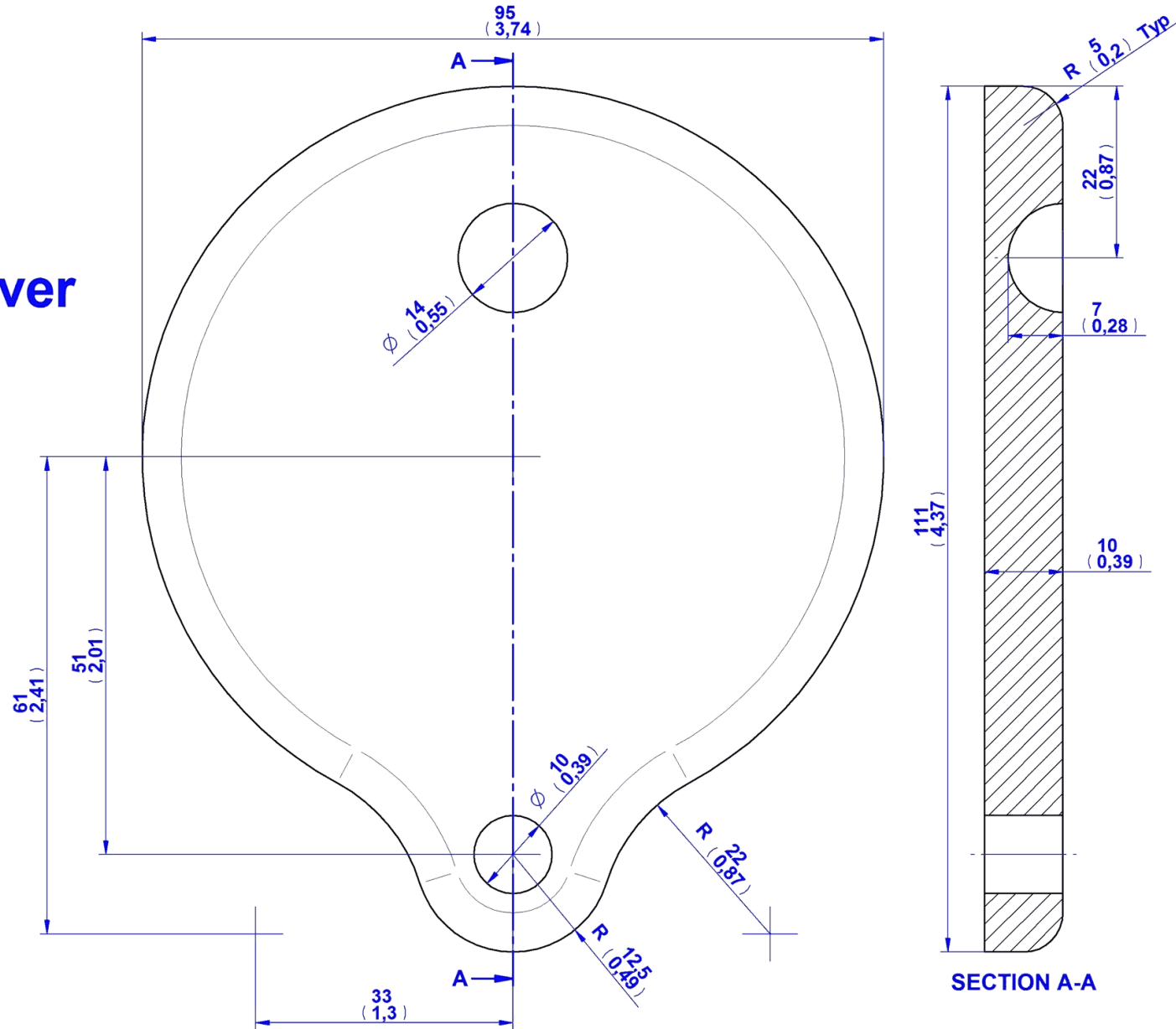


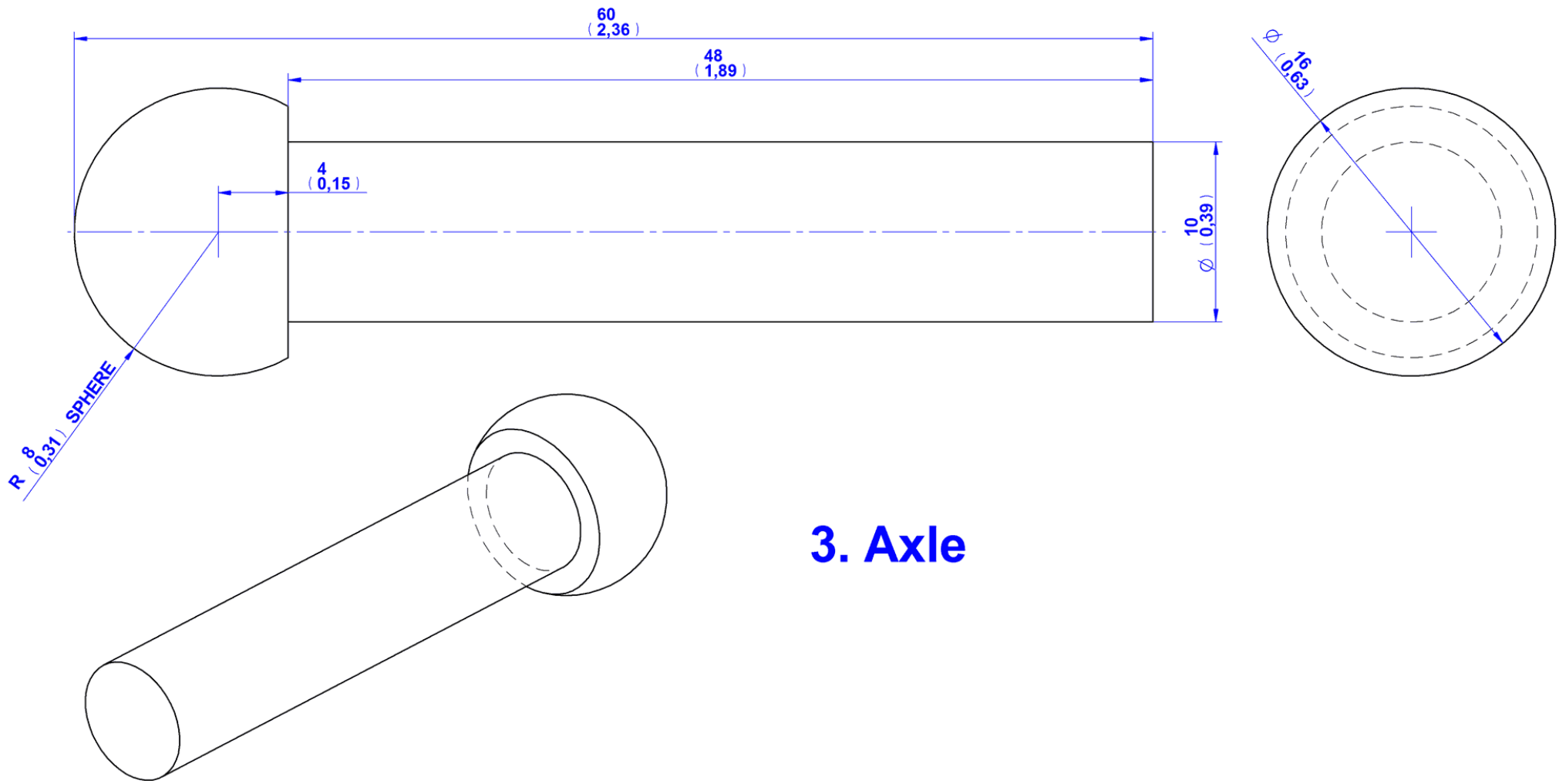
SECTION A-A

1. Bowl



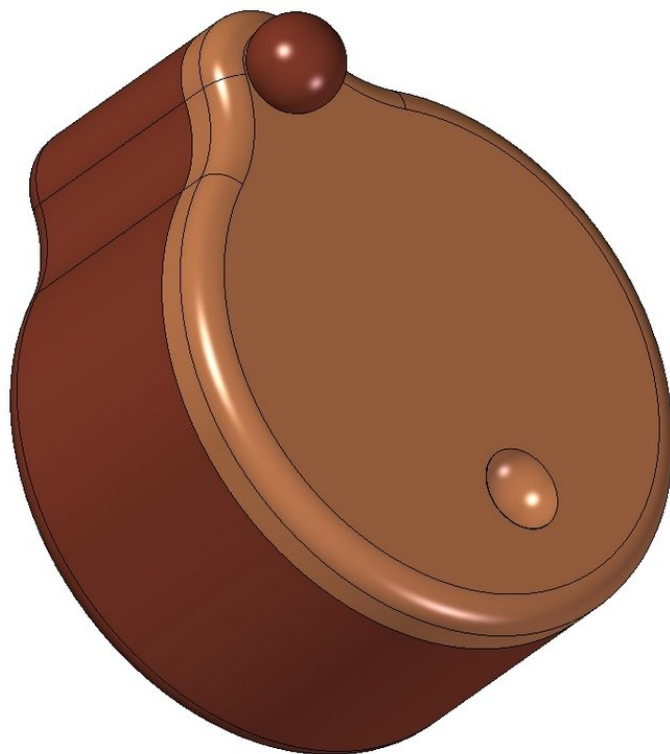
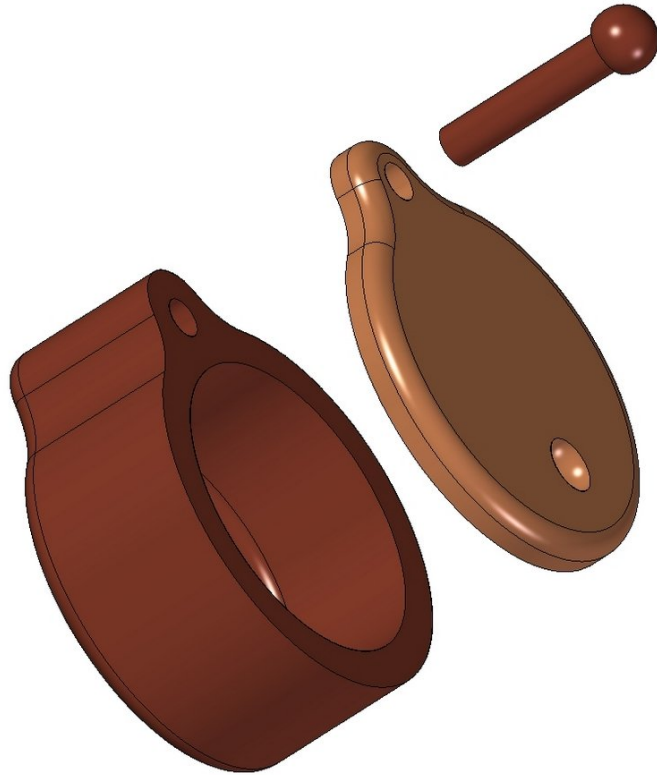
2. Cover



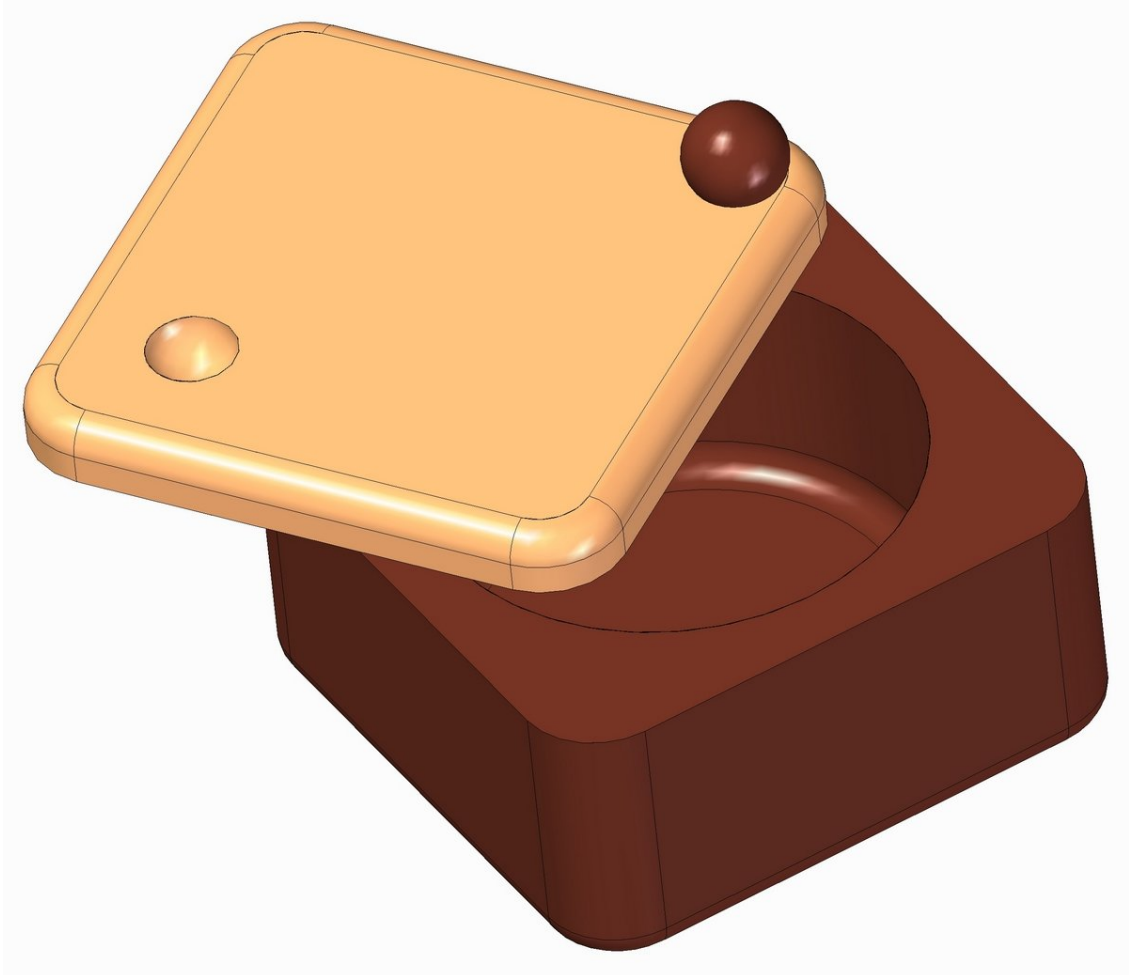


3. Axle

Assemblage images

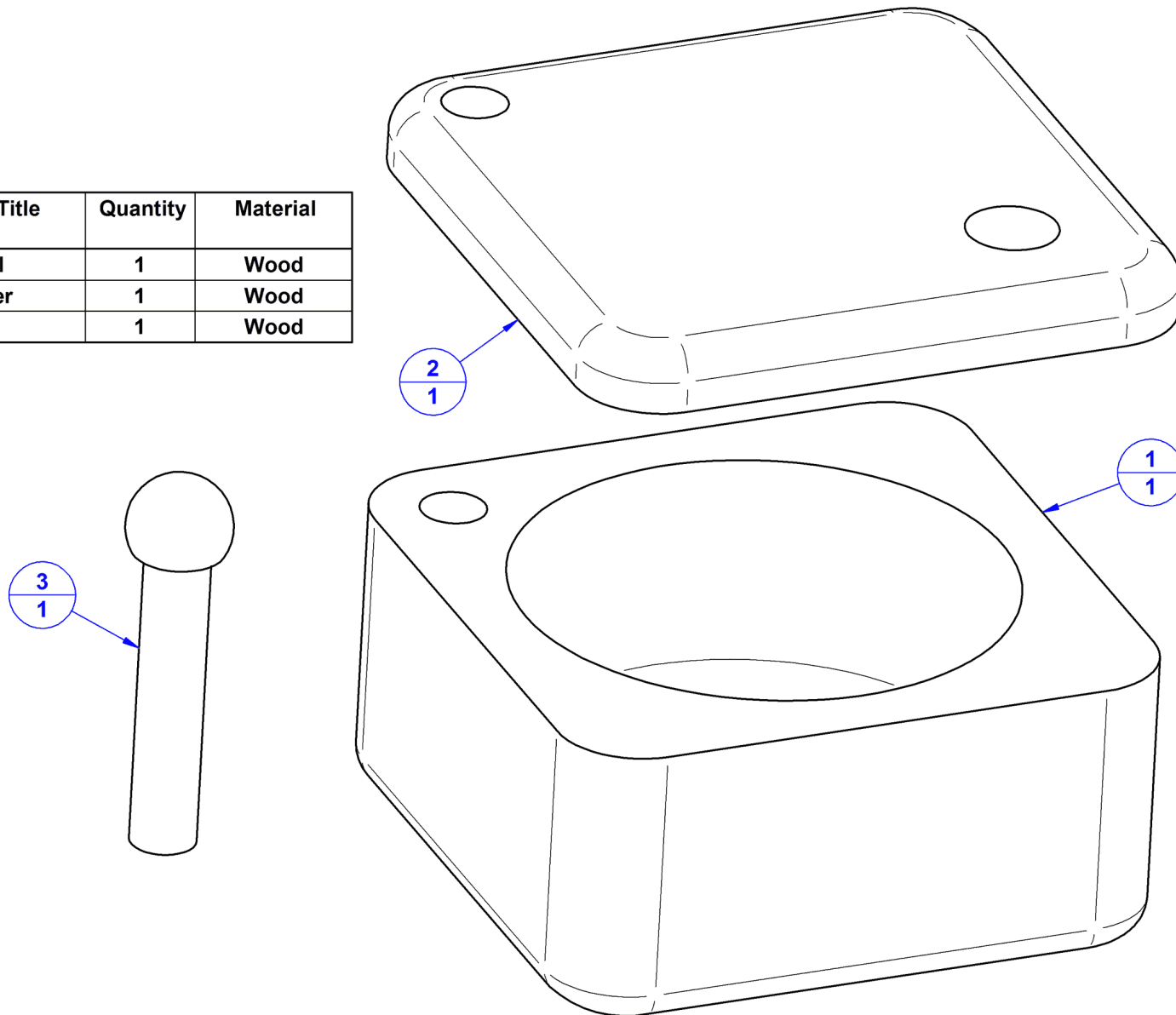


Square salt box plan

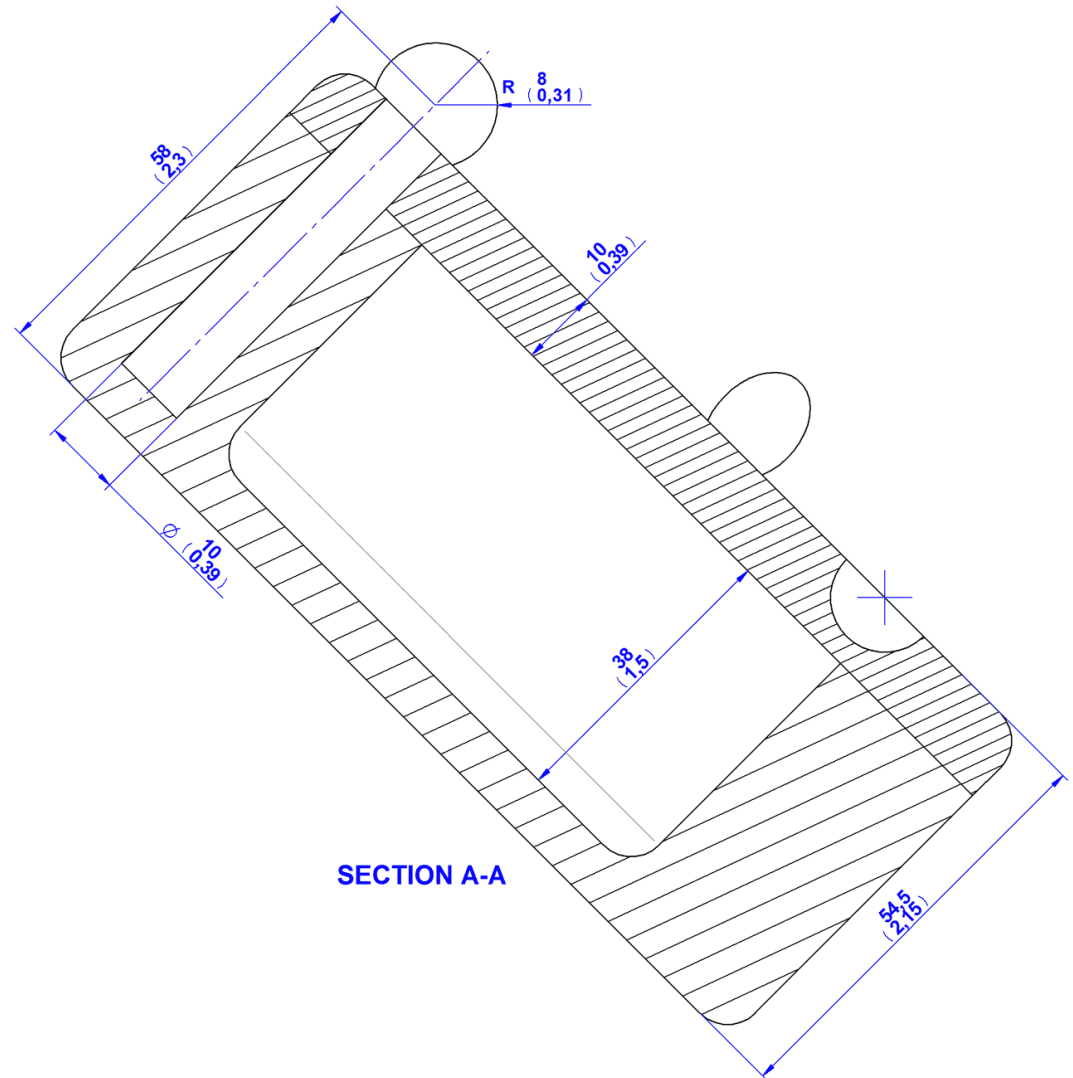
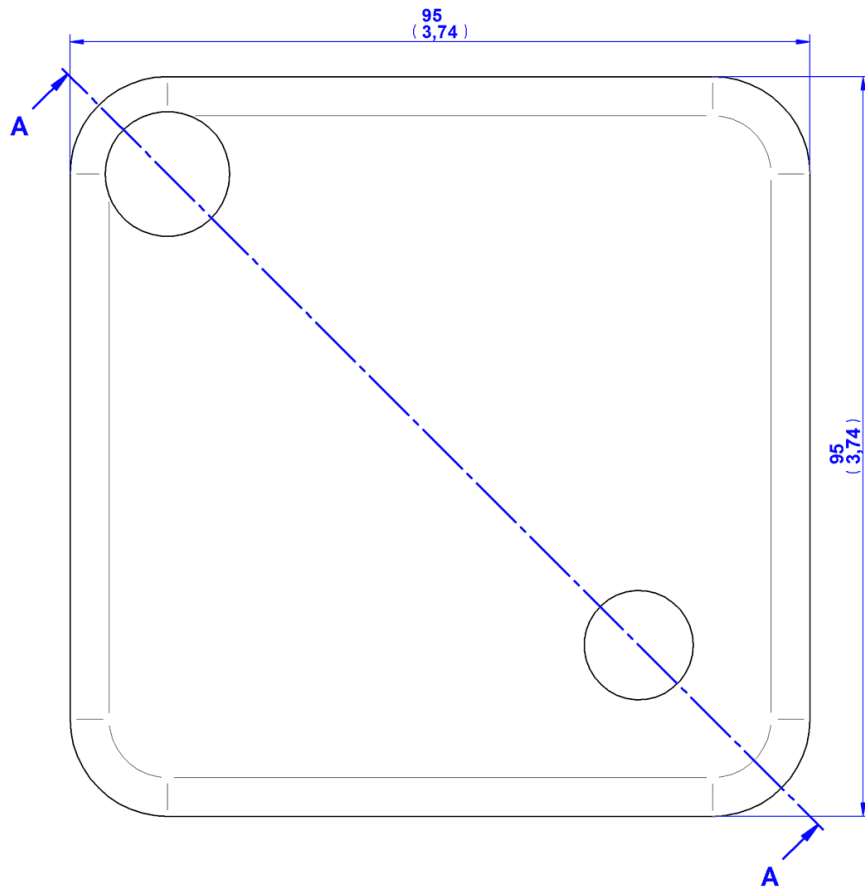


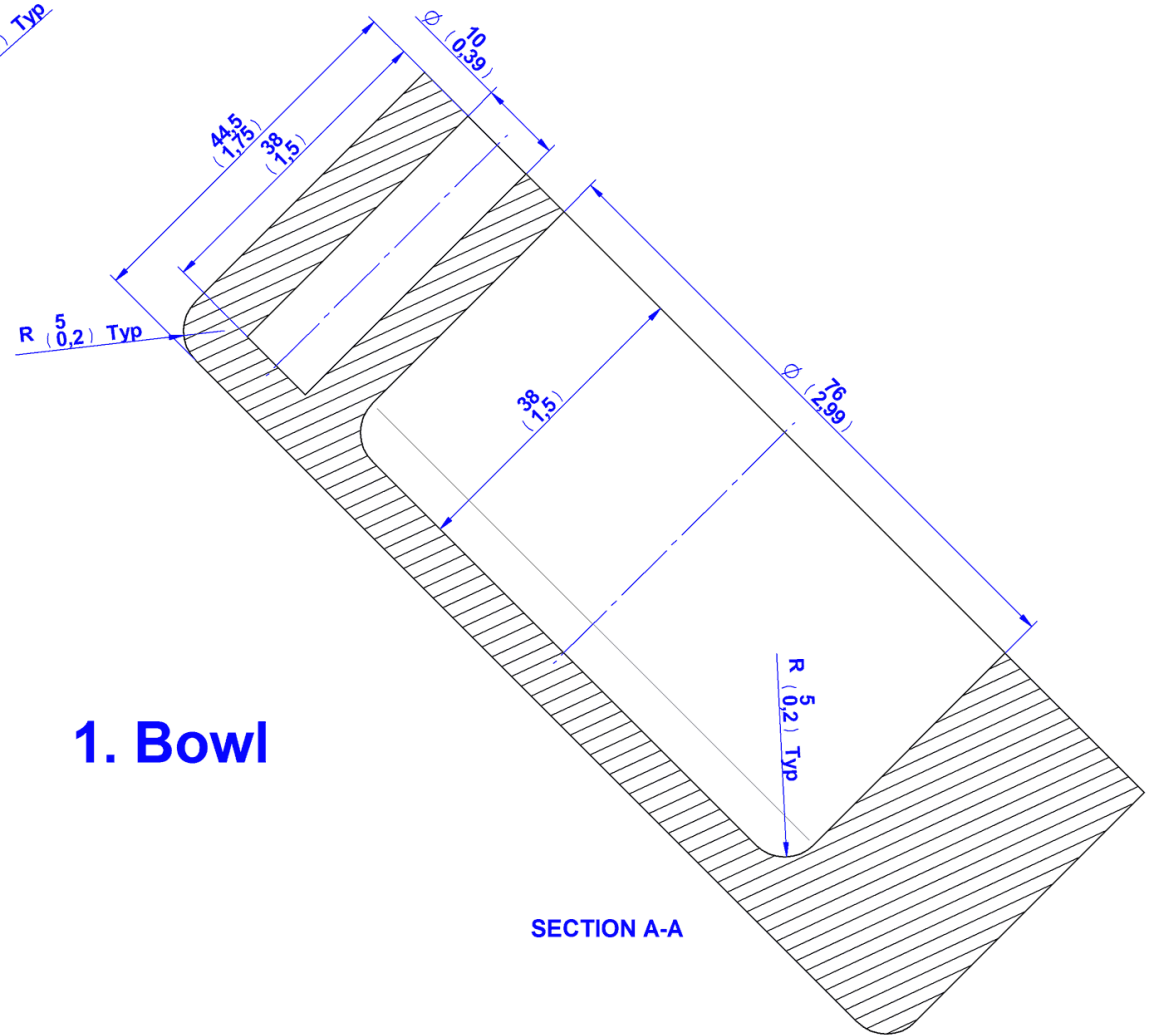
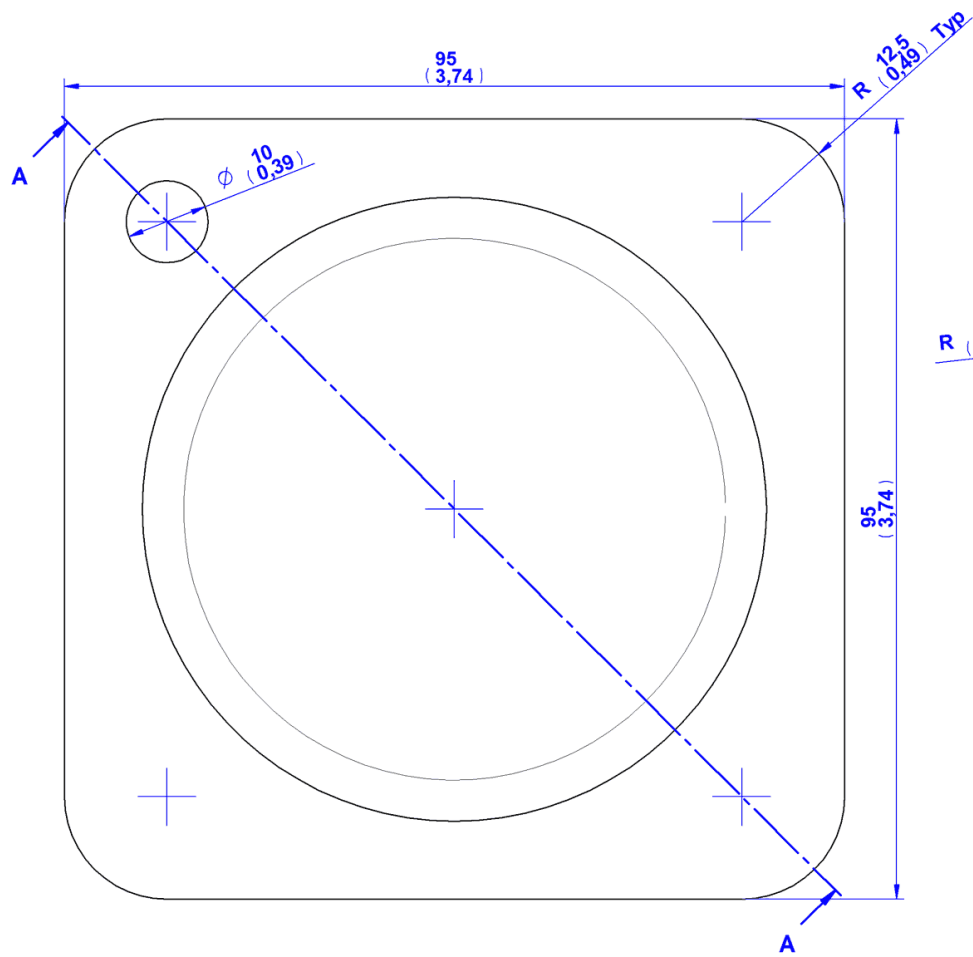
Square salt box plan – Parts list

Item Number	Title	Quantity	Material
1	Bowl	1	Wood
2	Cover	1	Wood
3	Axle	1	Wood



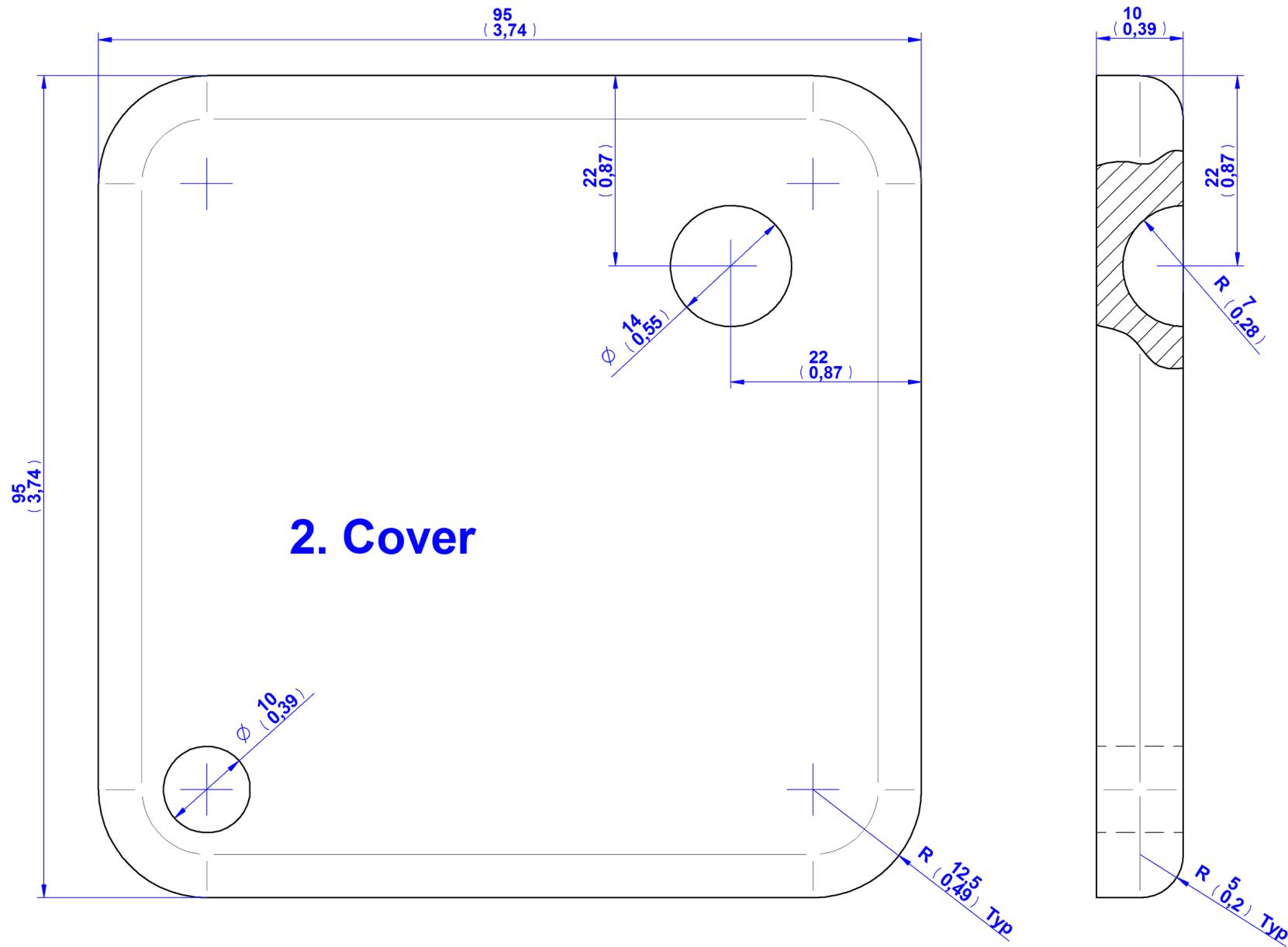
Square salt box assembly - 2D drawing

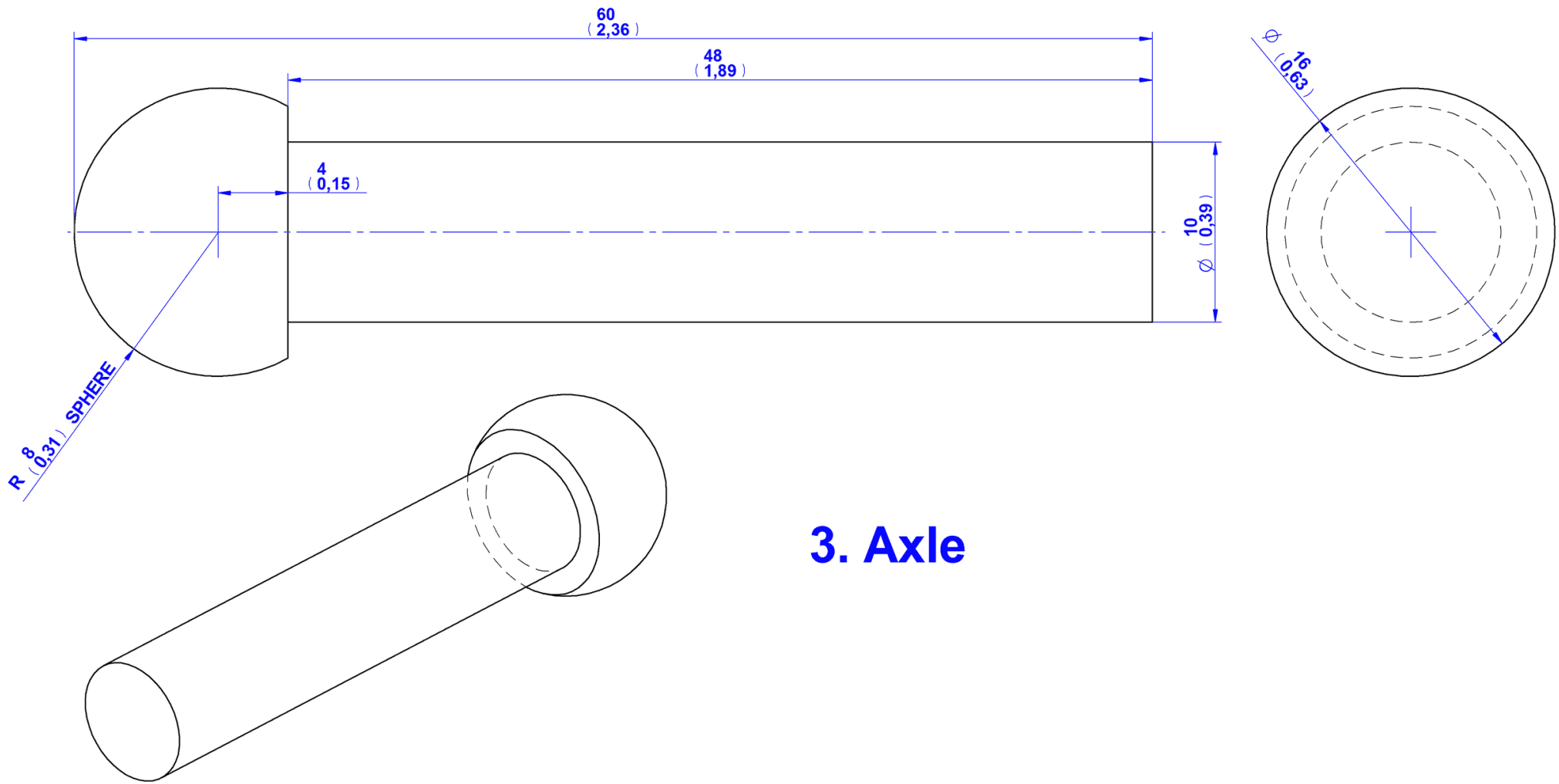




1. Bowl

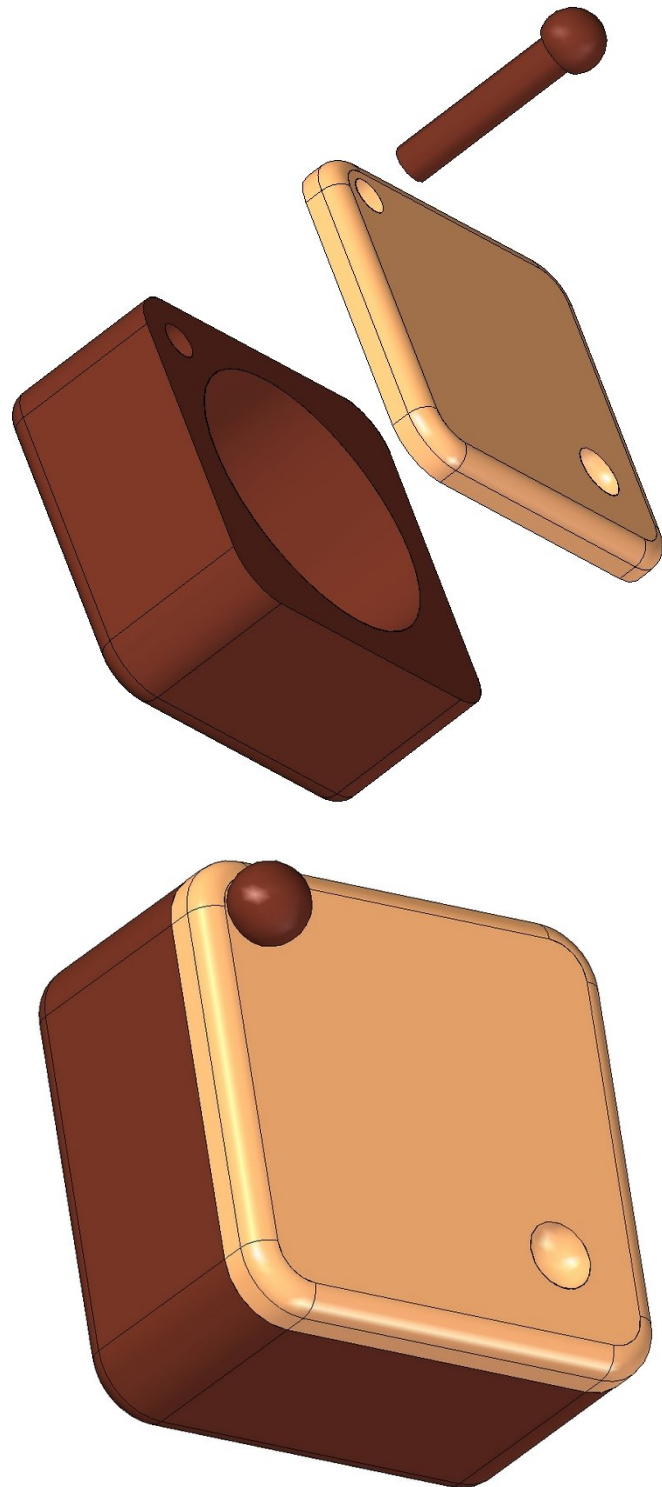
SECTION A-A



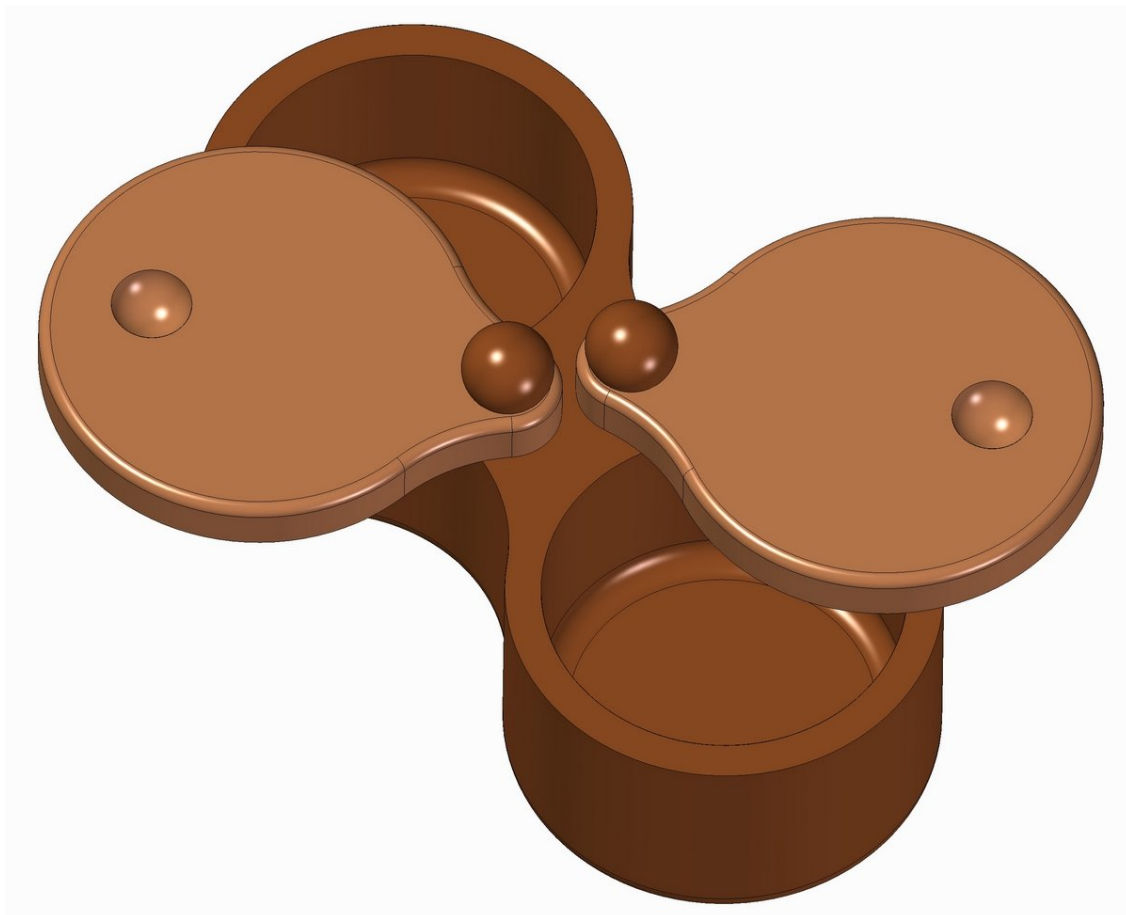


3. Axle

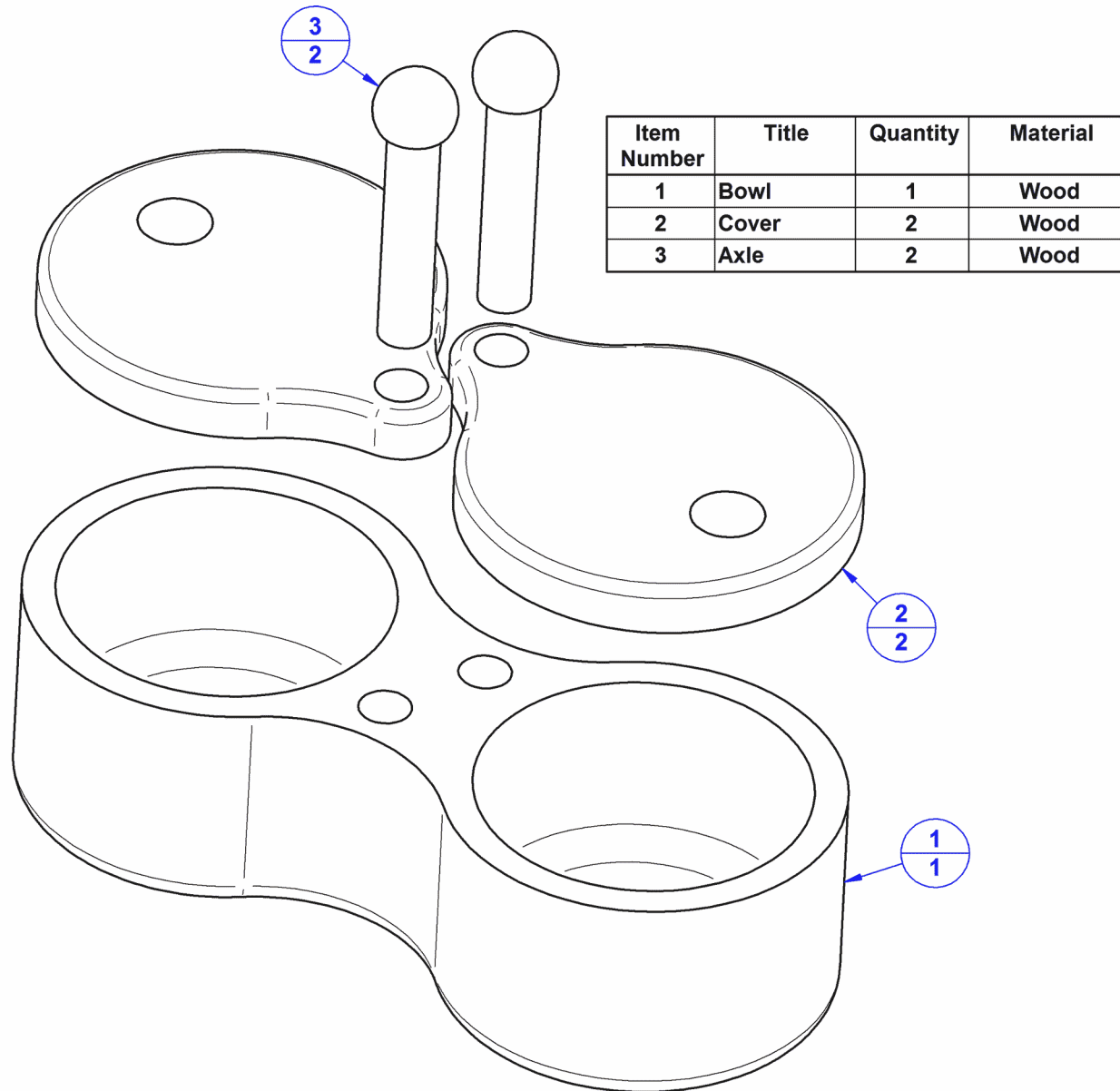
Assemblage images



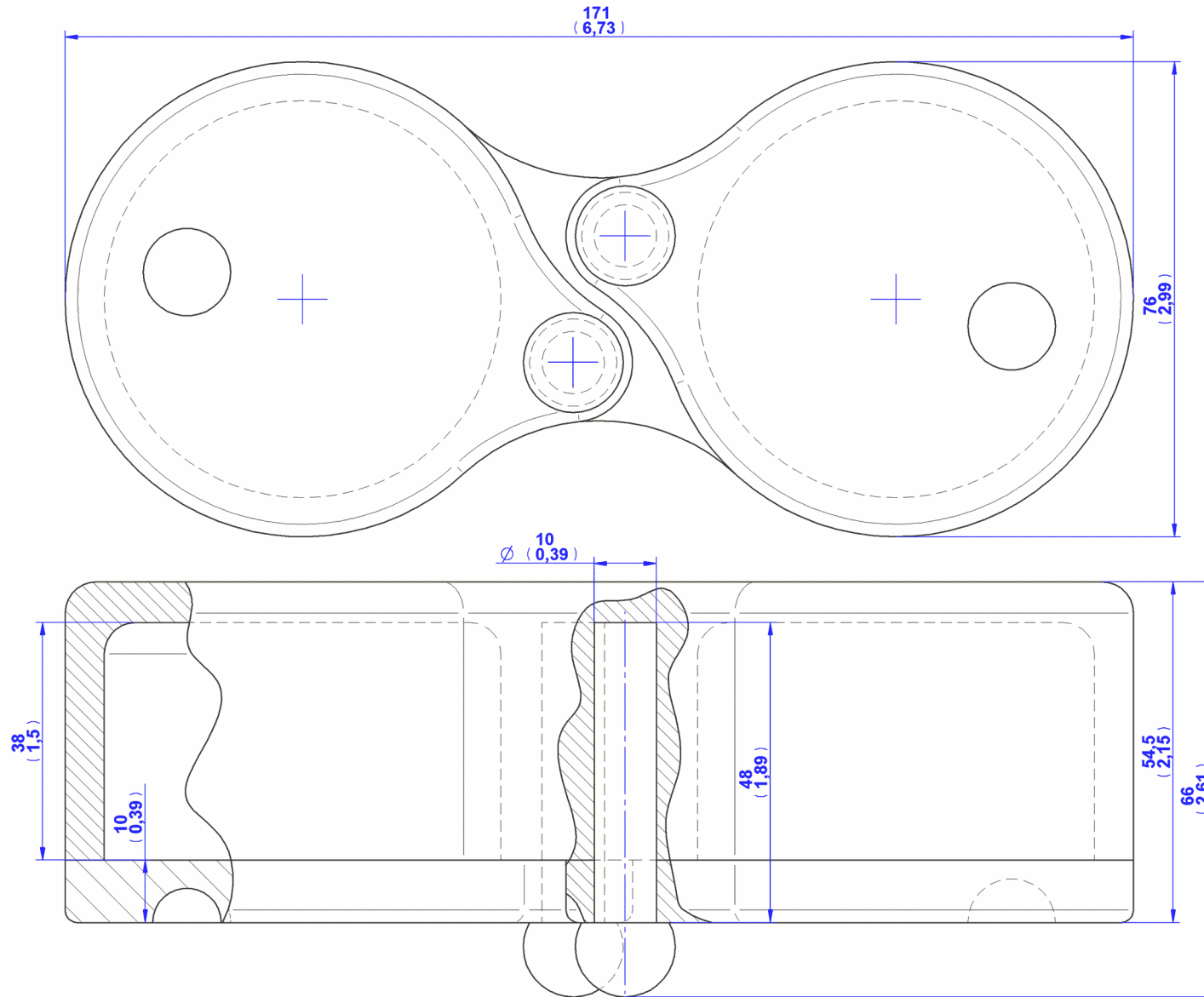
Sliding salt and pepper box plan

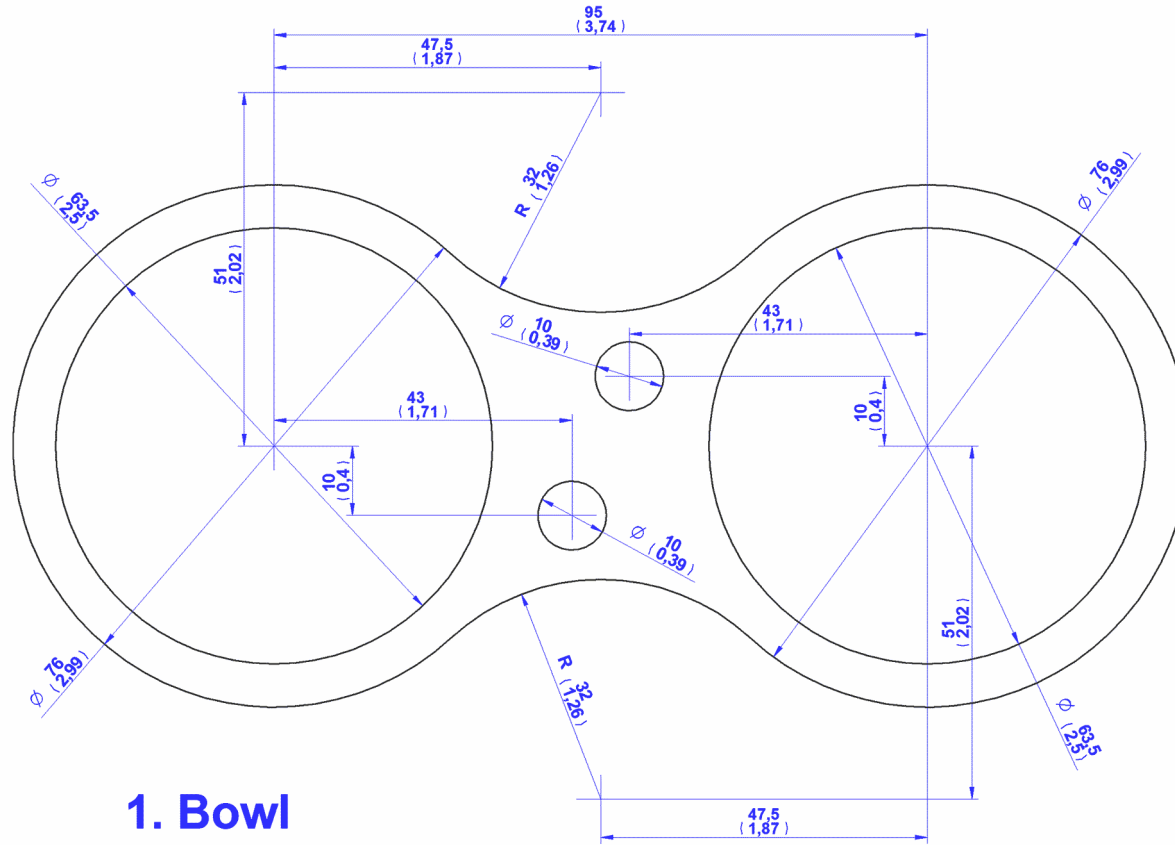


Sliding salt and pepper box plan – Parts list

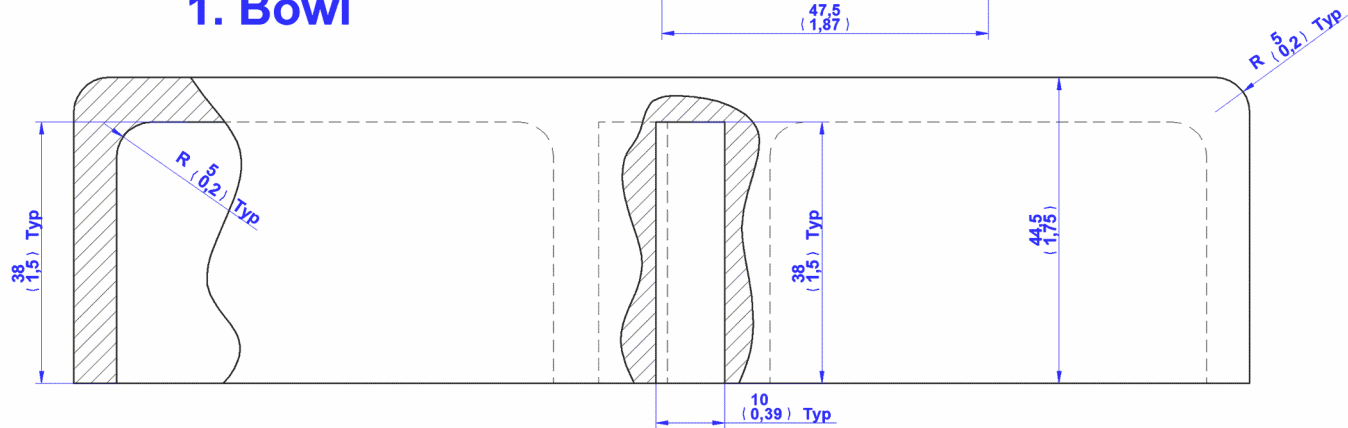


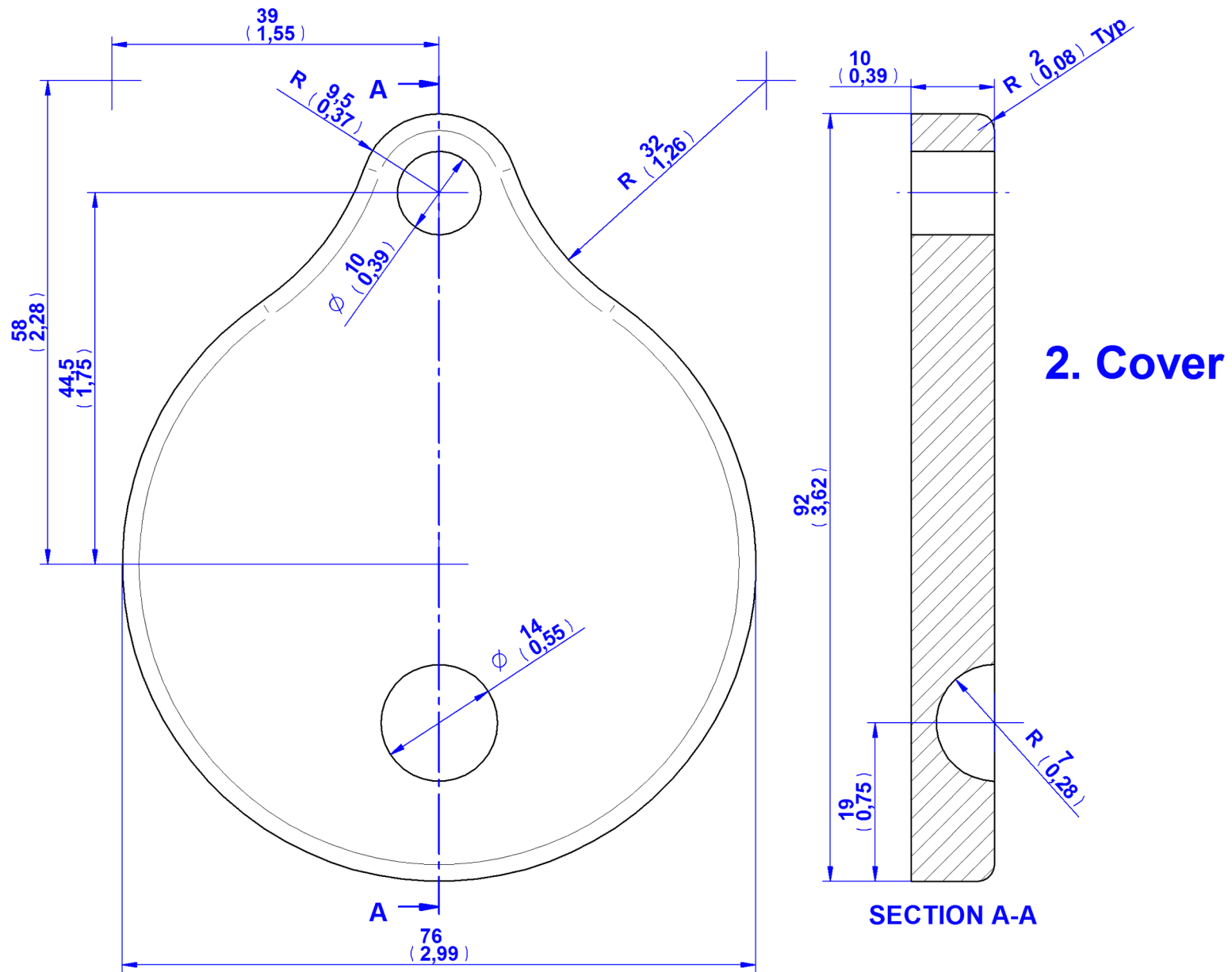
Sliding salt and pepper box plan – Assembly 2D drawing

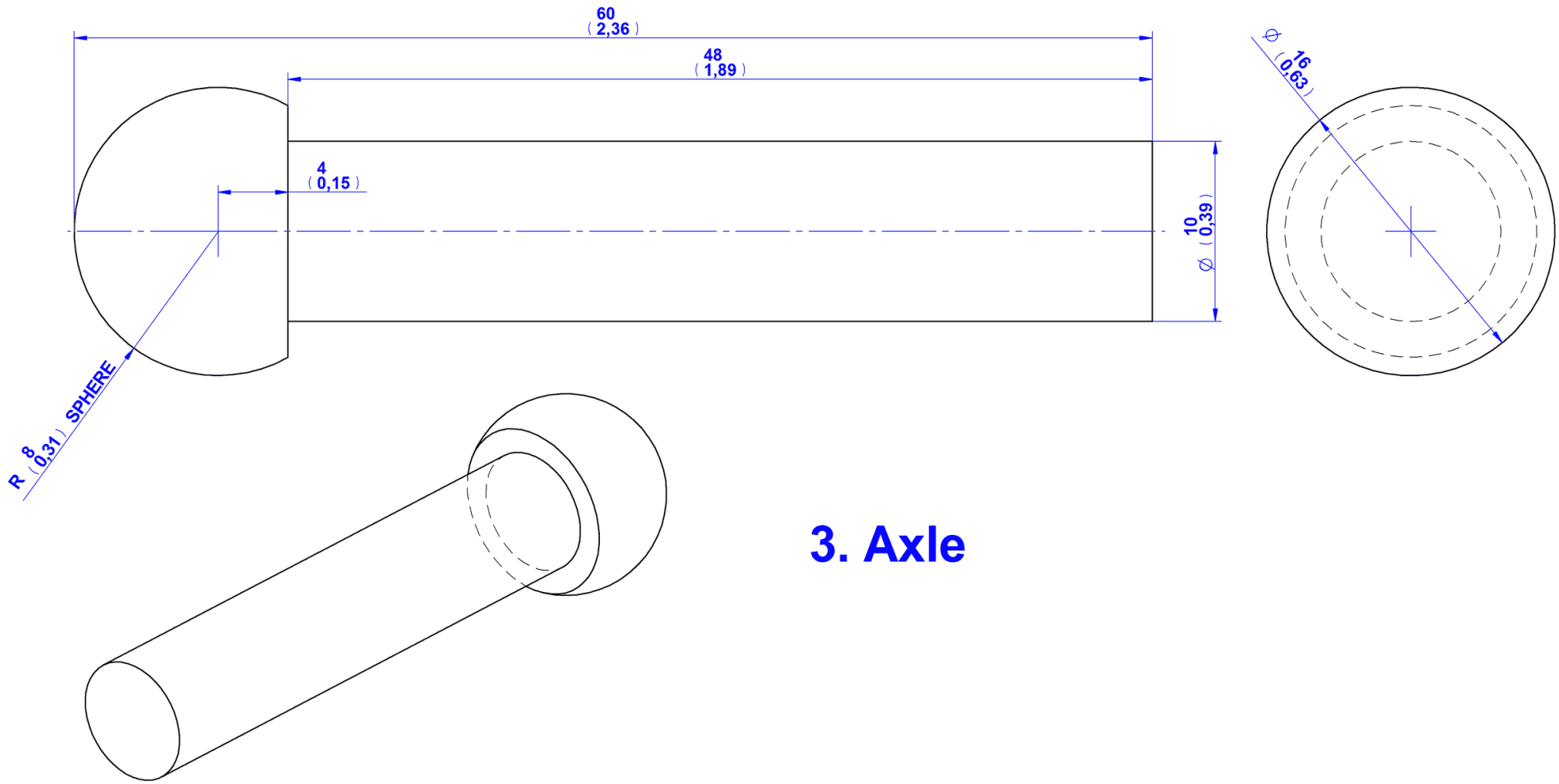




1. Bowl

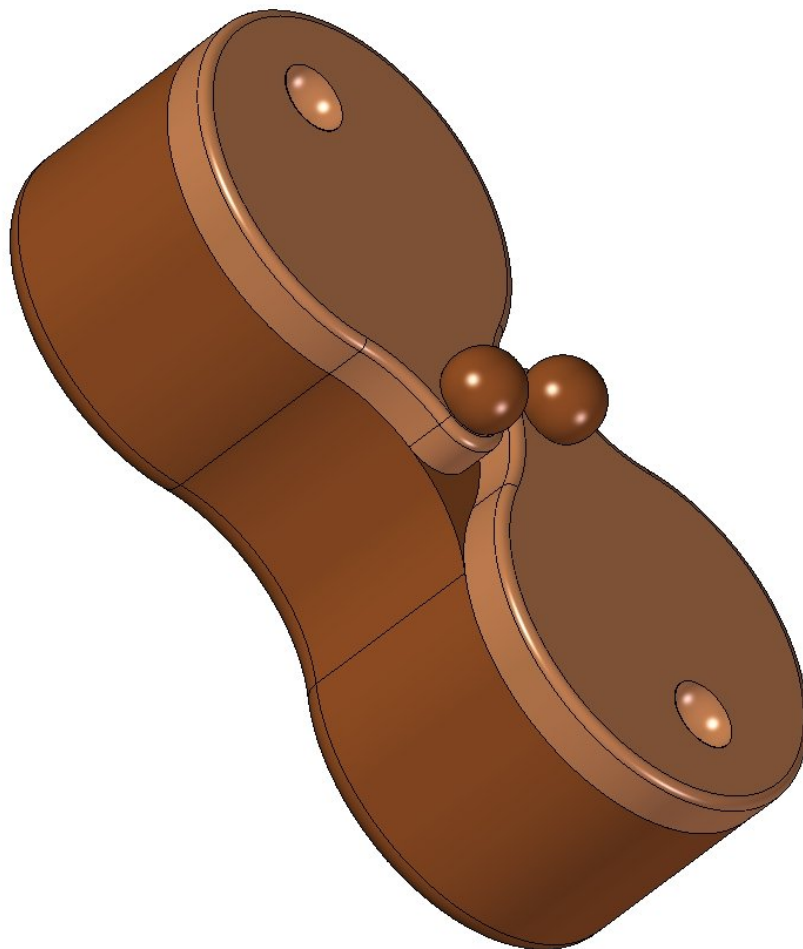
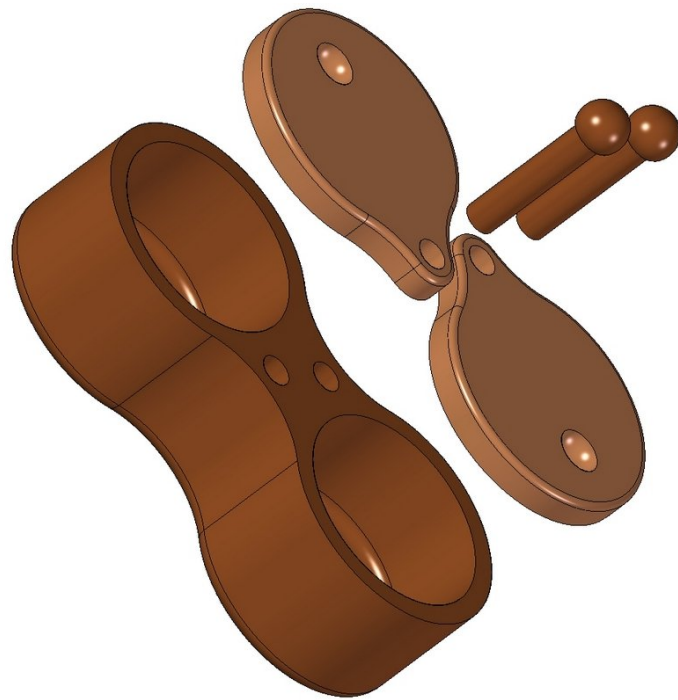




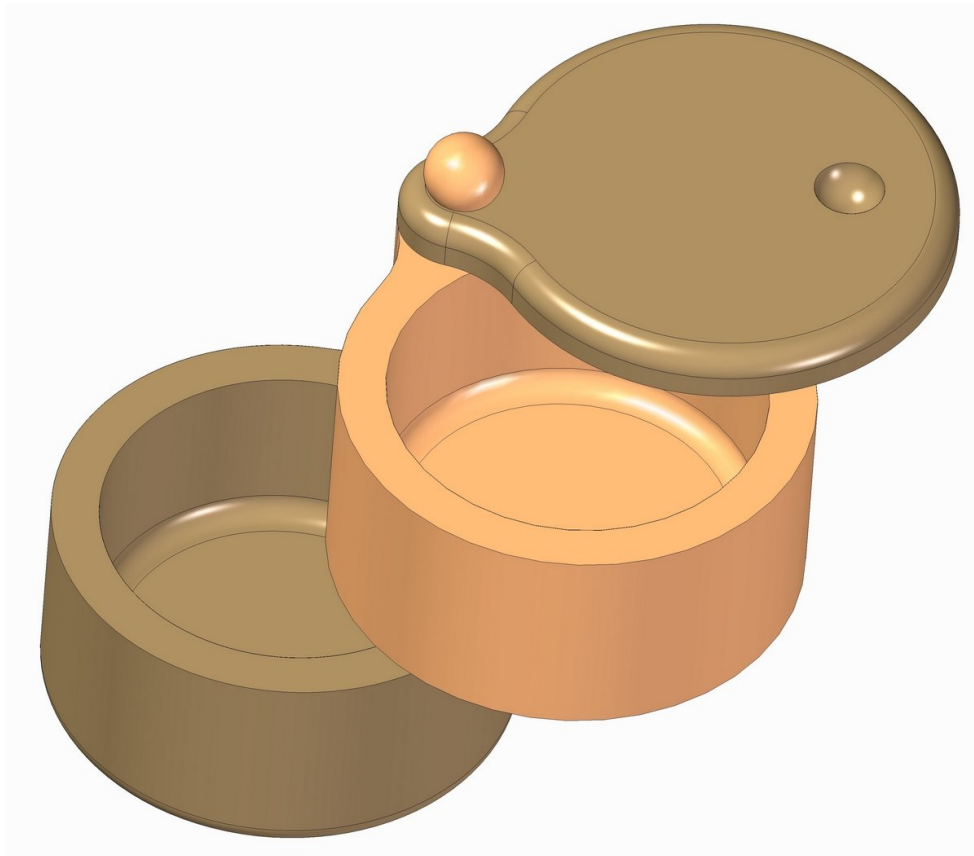


3. Axle

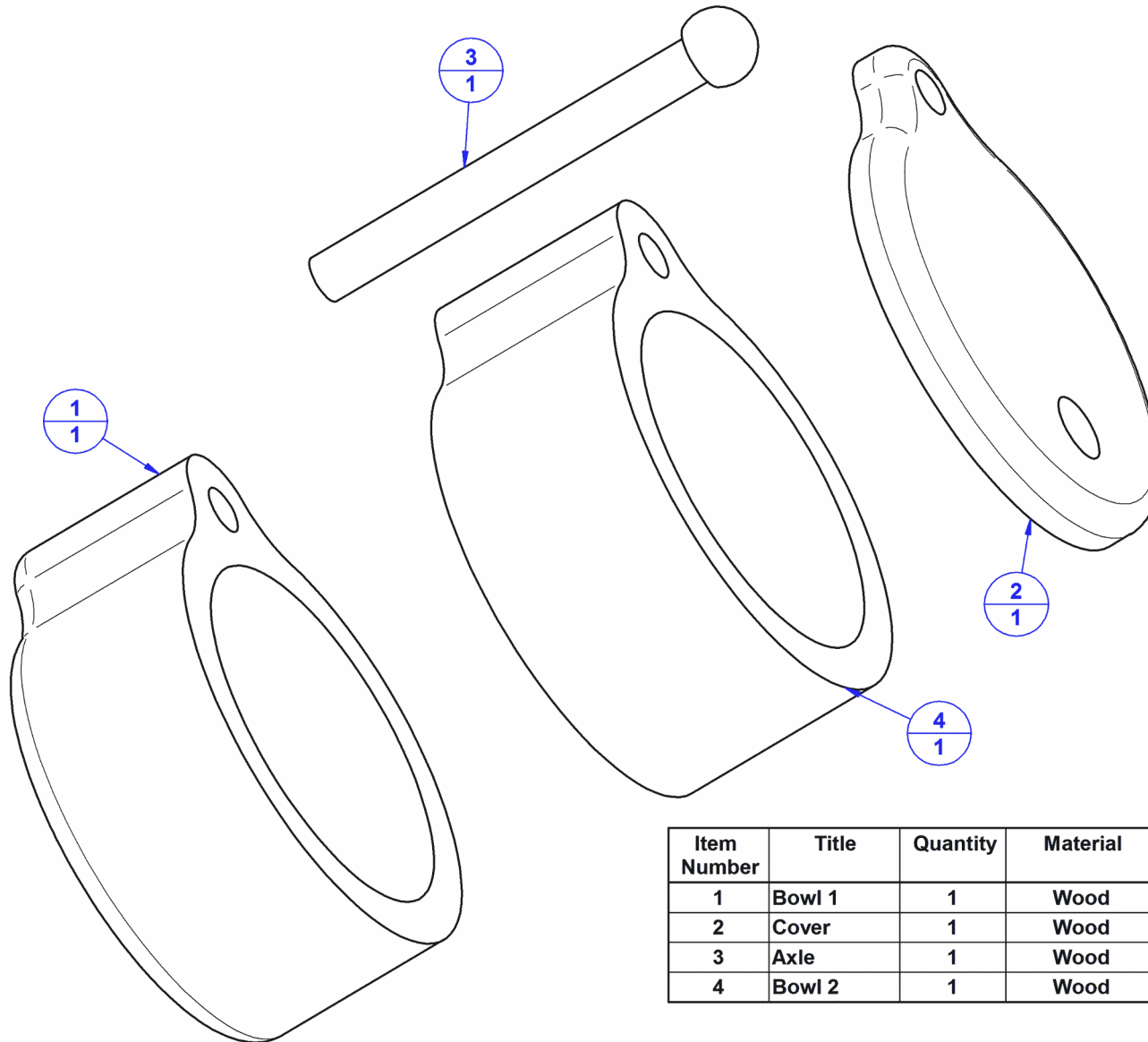
Assemblage images



Sliding spice box plan - Two vertical compartments

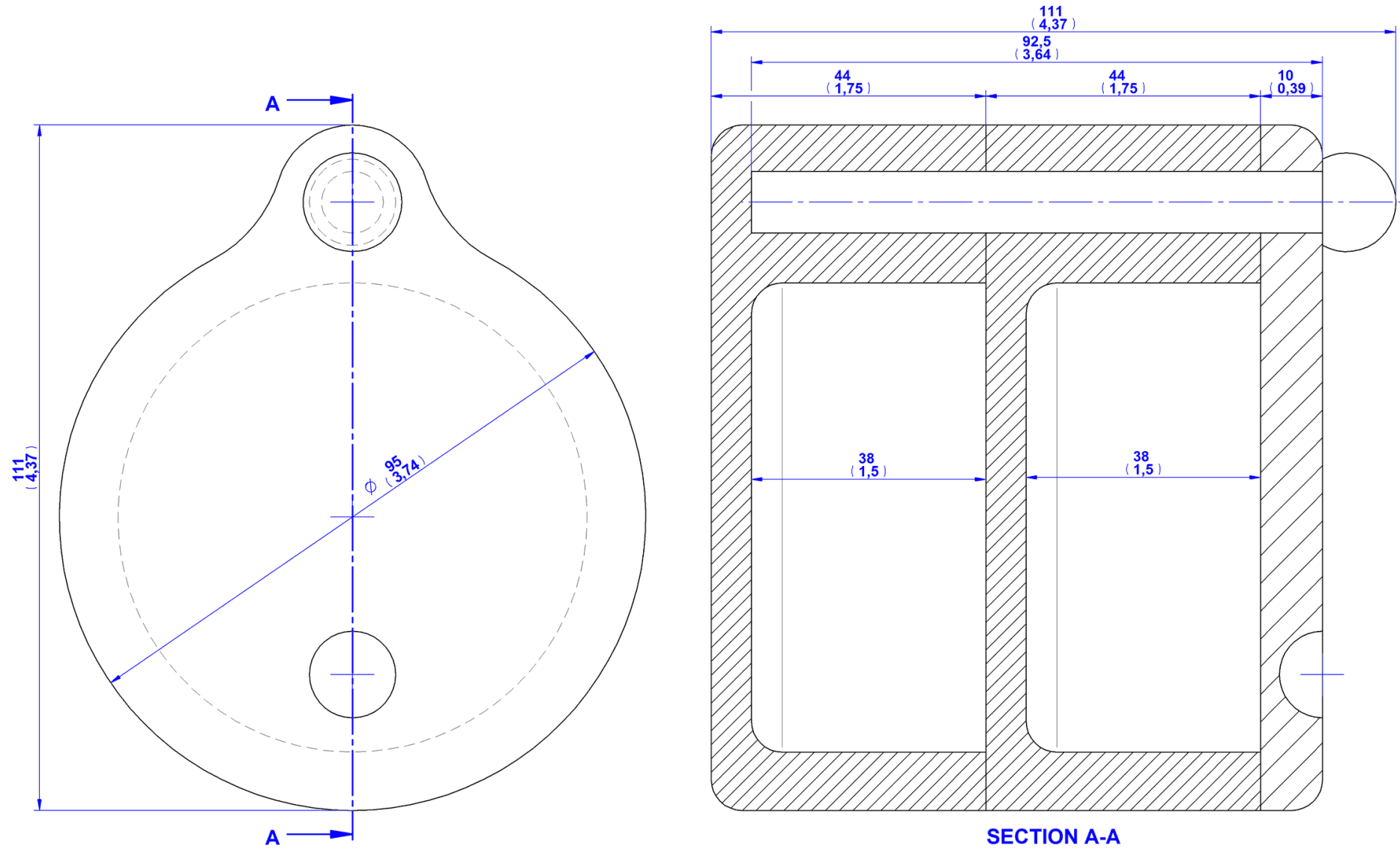


Sliding spice box (Two vertical compartments) – Parts list

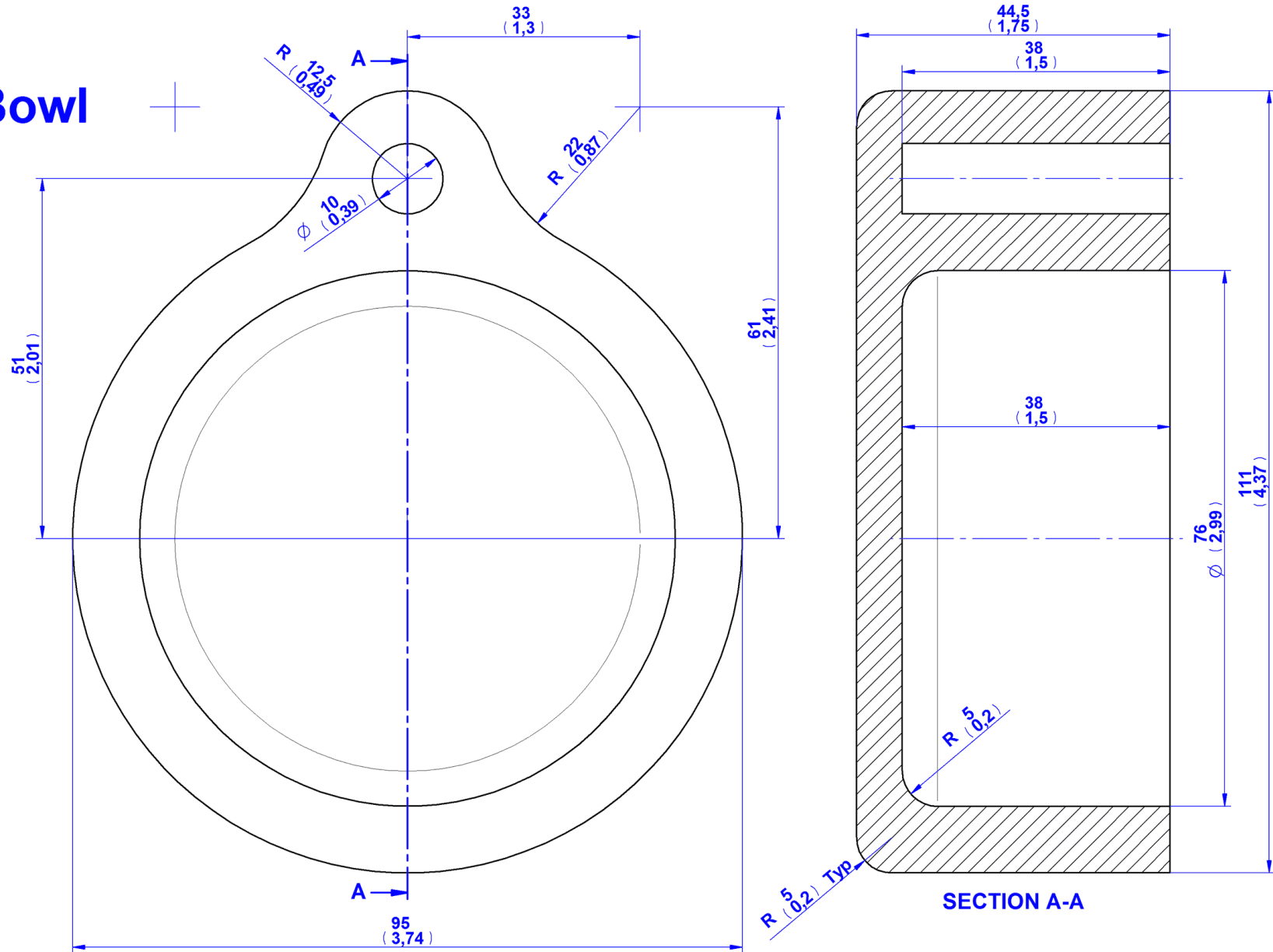


Item Number	Title	Quantity	Material
1	Bowl 1	1	Wood
2	Cover	1	Wood
3	Axle	1	Wood
4	Bowl 2	1	Wood

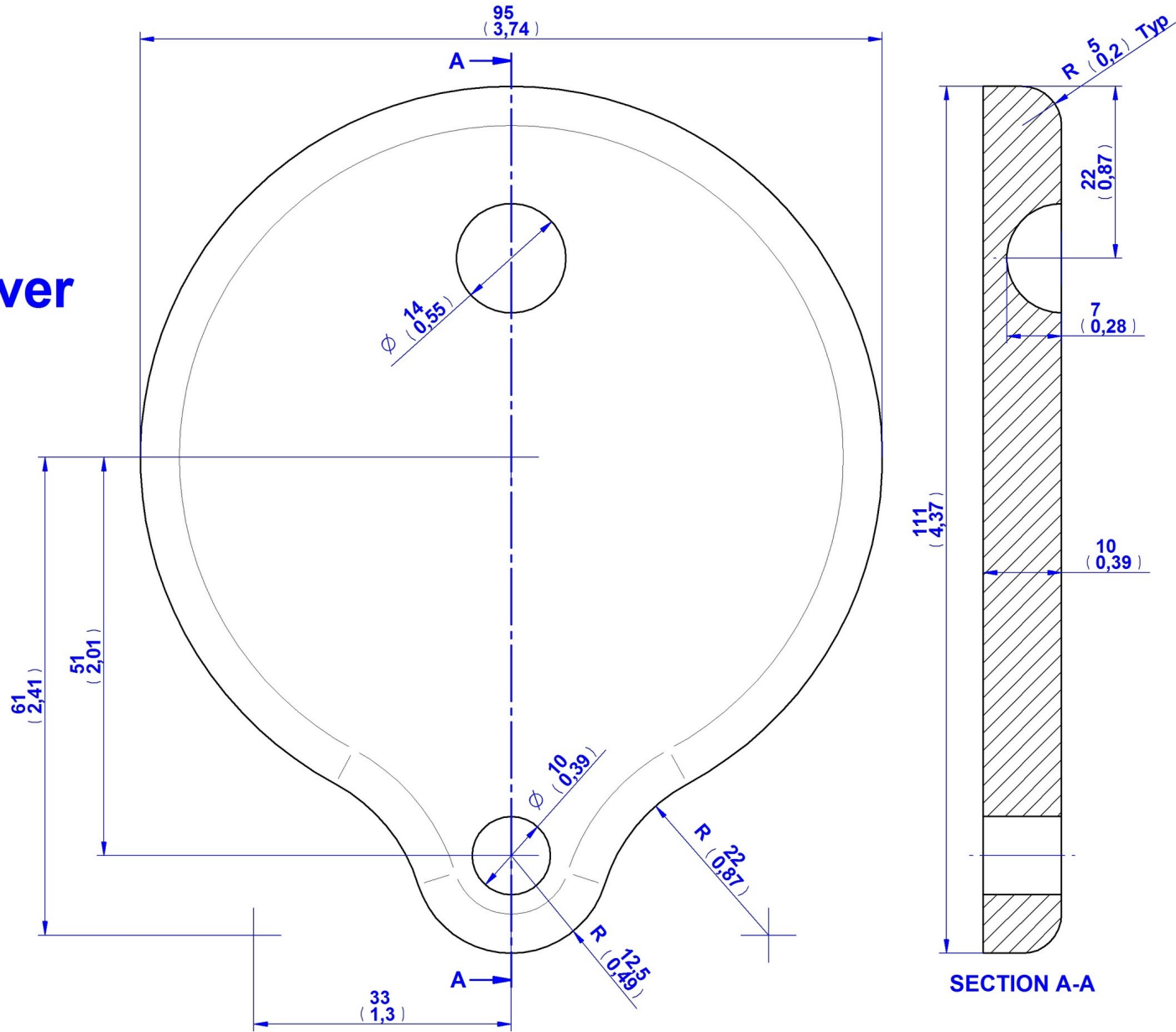
Sliding spice box (Two vertical compartments) – Assembly drawing

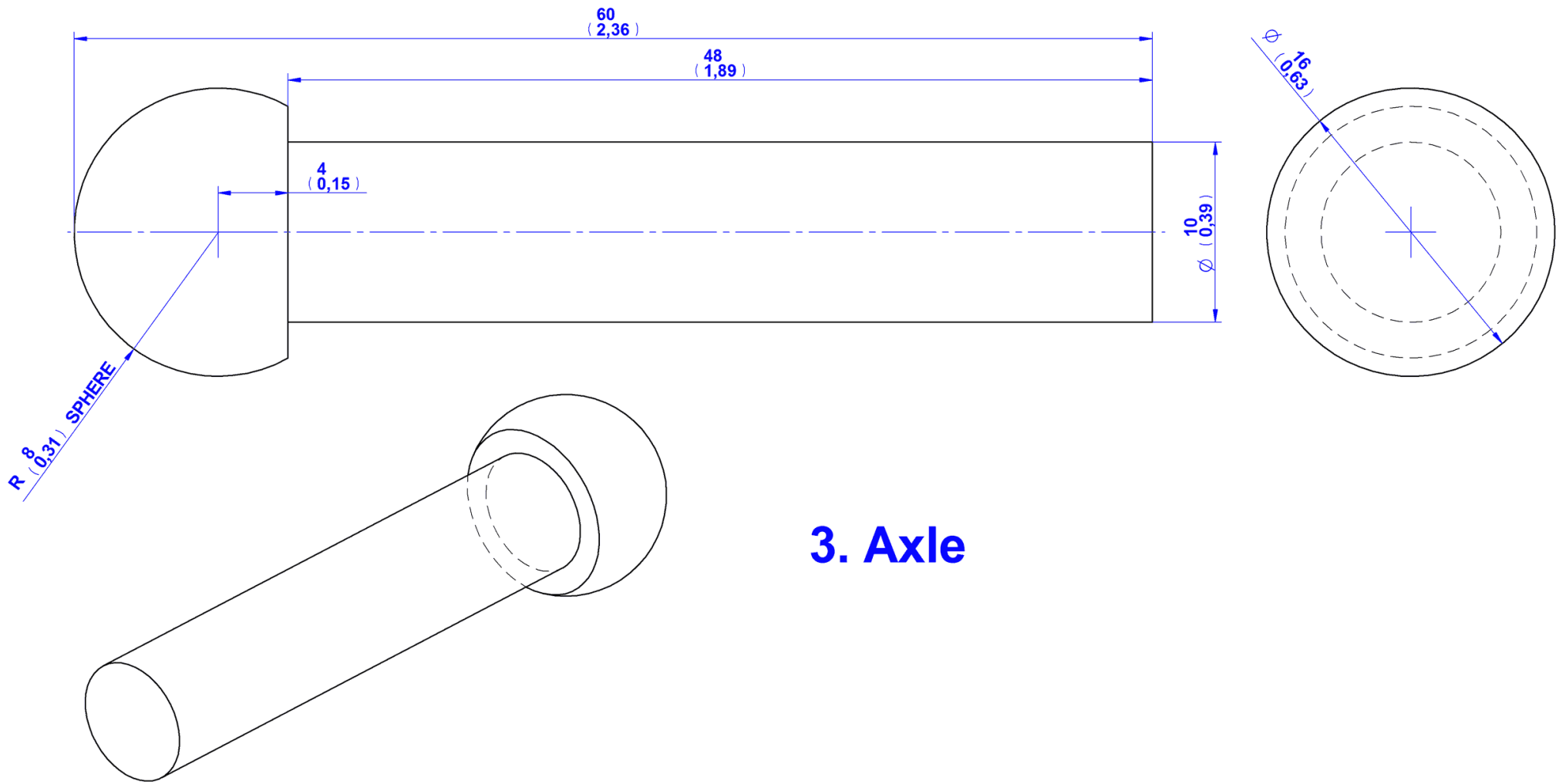


1. Bowl

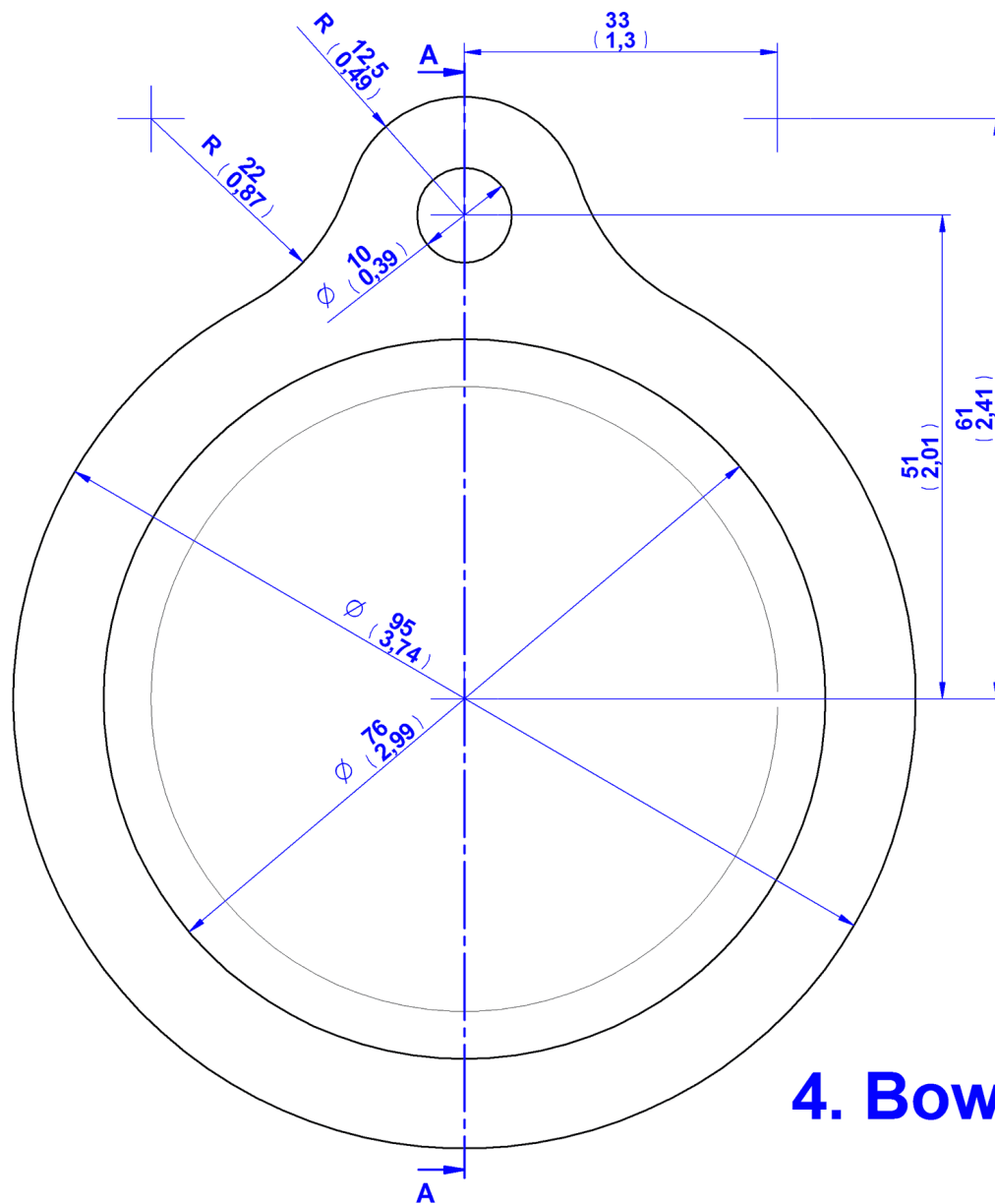


2. Cover

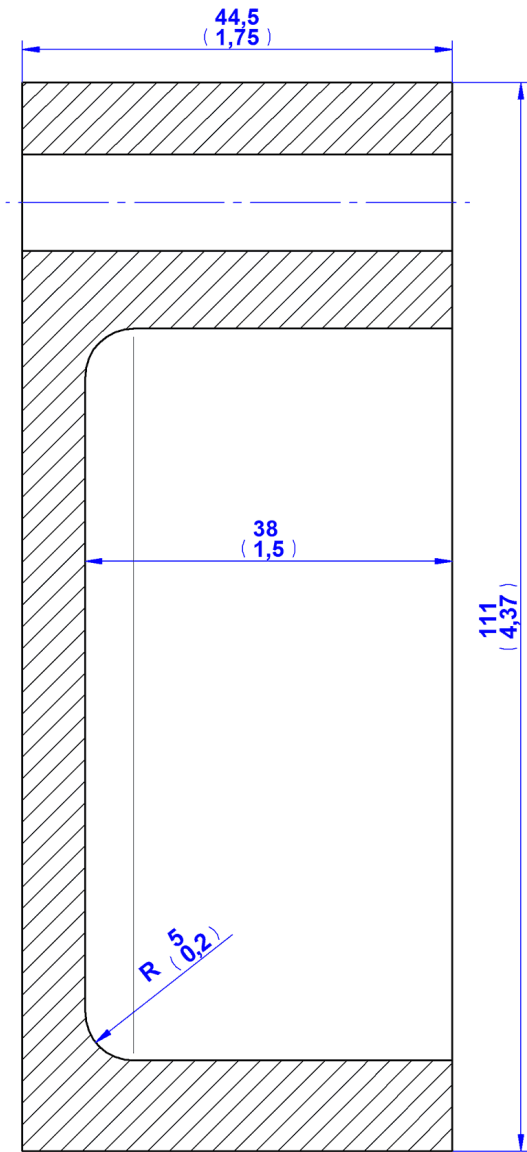




3. Axle

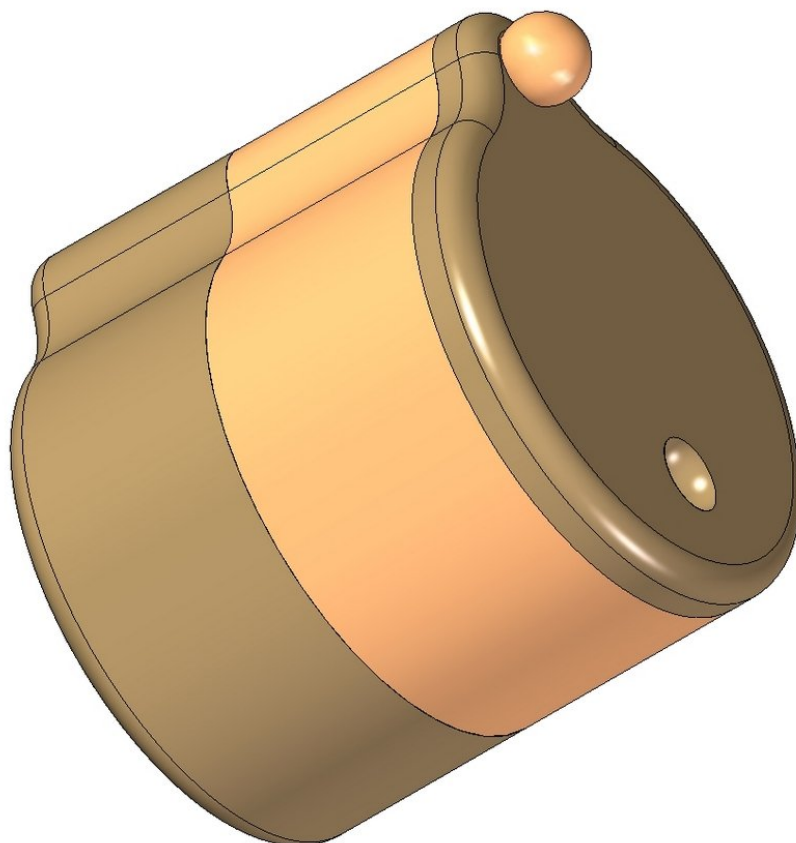
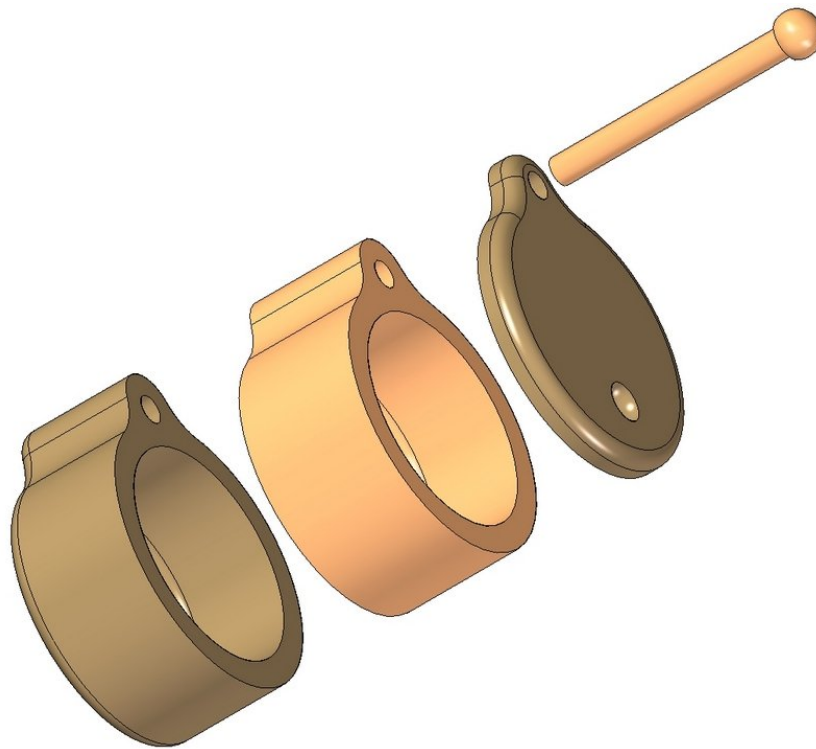


4. Bowl 2



SECTION A-A

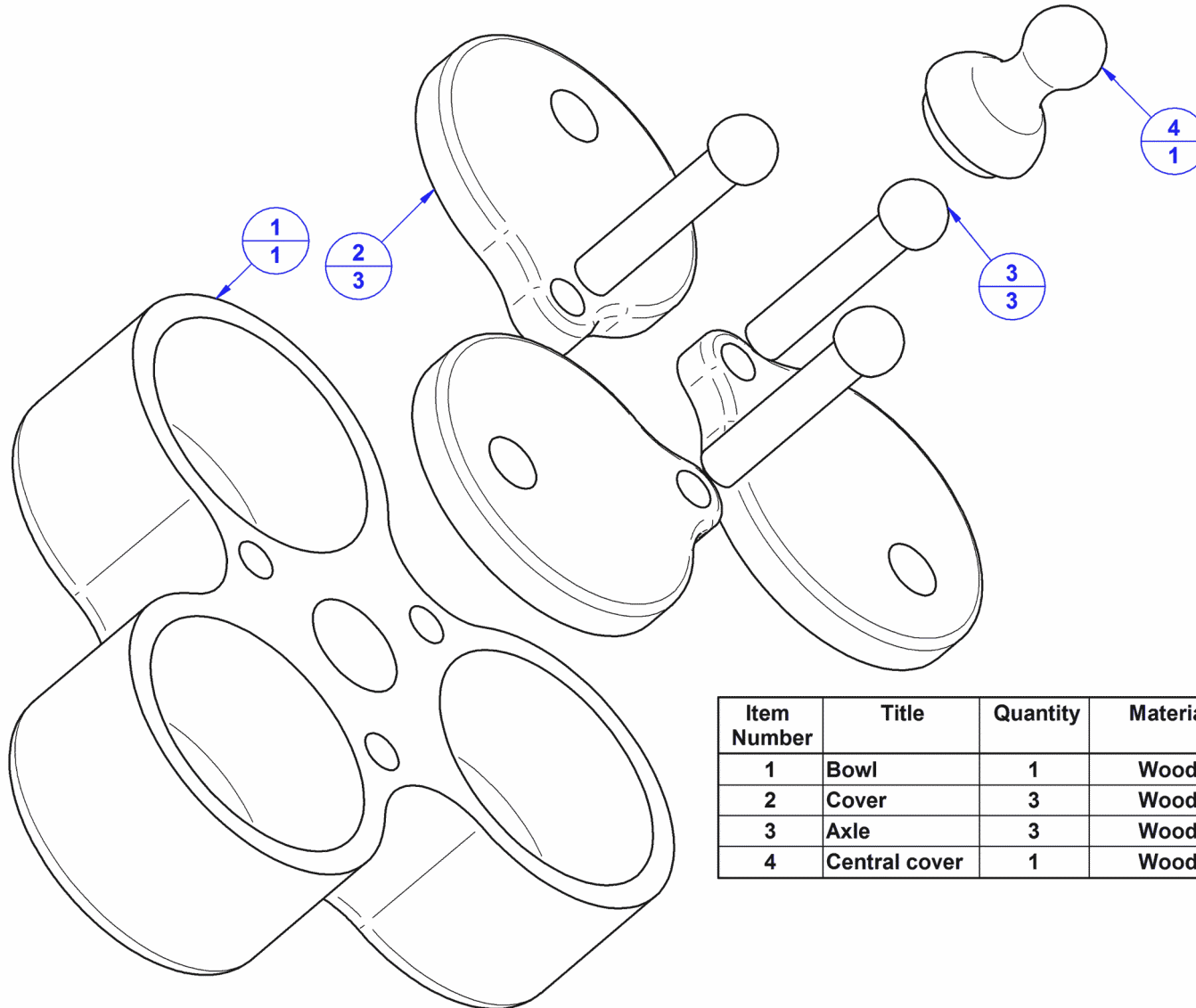
Assemblage instructions



Sliding spice box plan – Three compartments

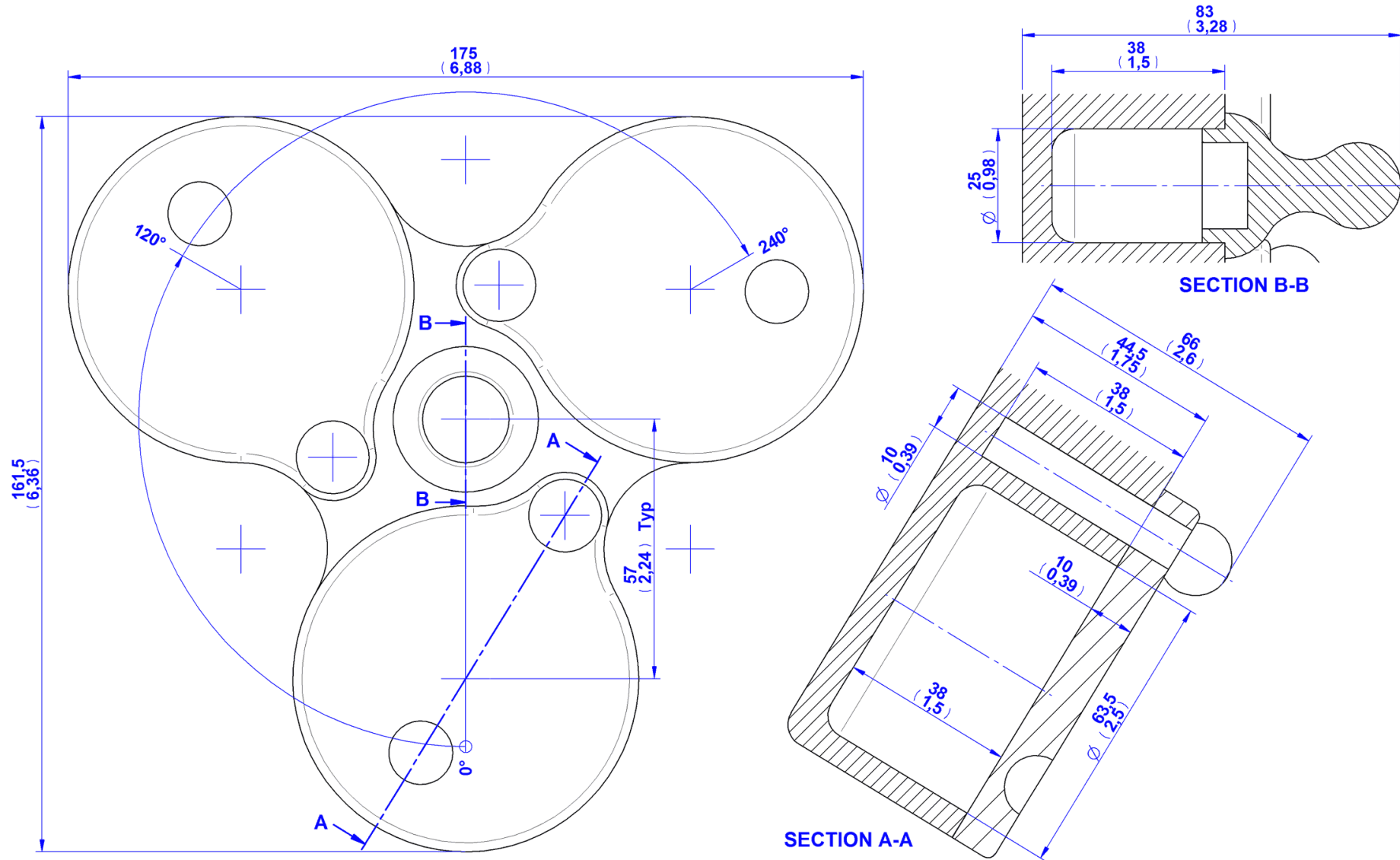


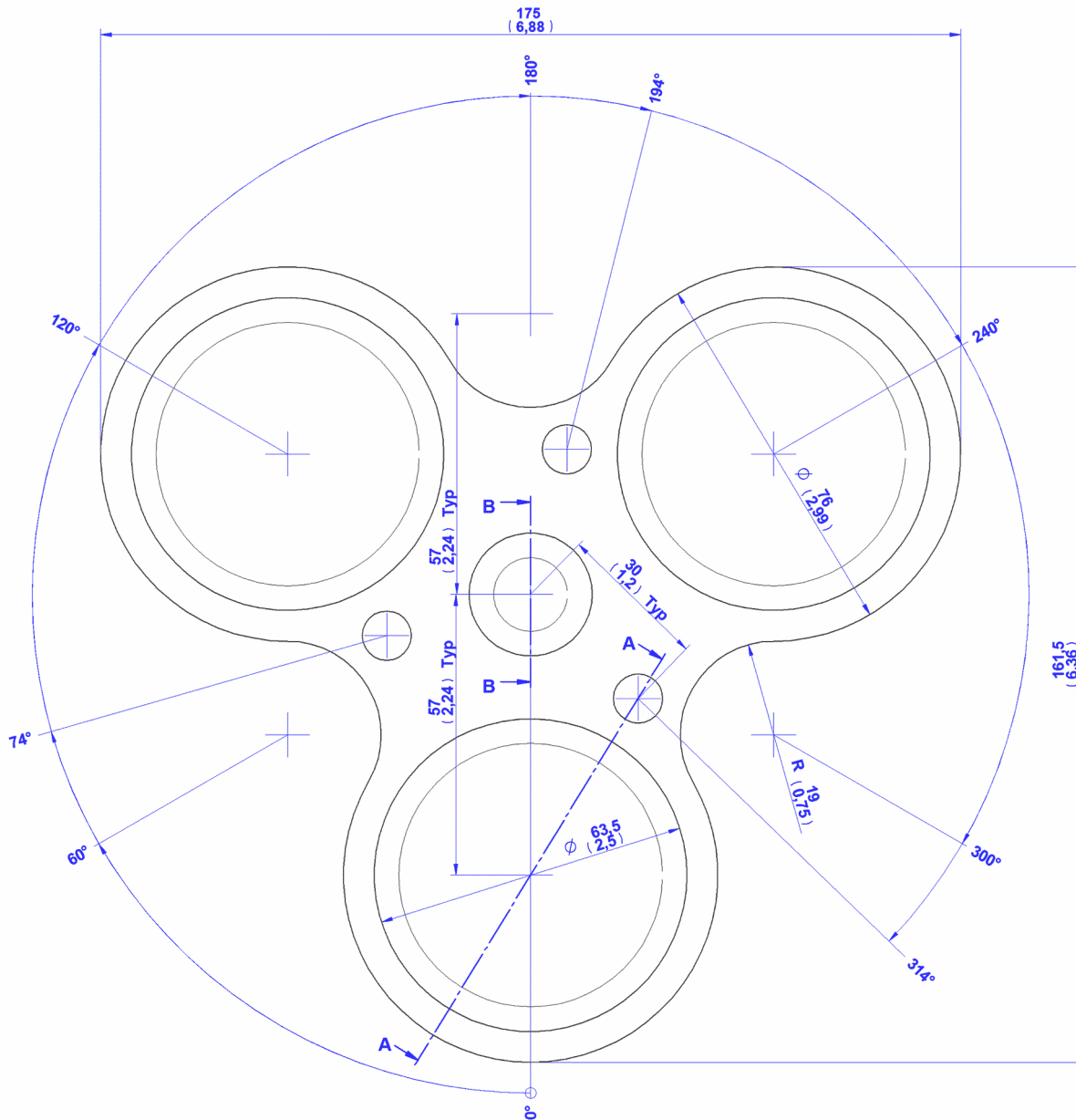
Sliding spice box plan (Three compartments) – Parts list



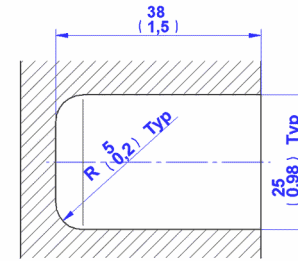
Item Number	Title	Quantity	Material
1	Bowl	1	Wood
2	Cover	3	Wood
3	Axle	3	Wood
4	Central cover	1	Wood

Sliding spice box plan (Three compartments) – Assembly 2D drawing

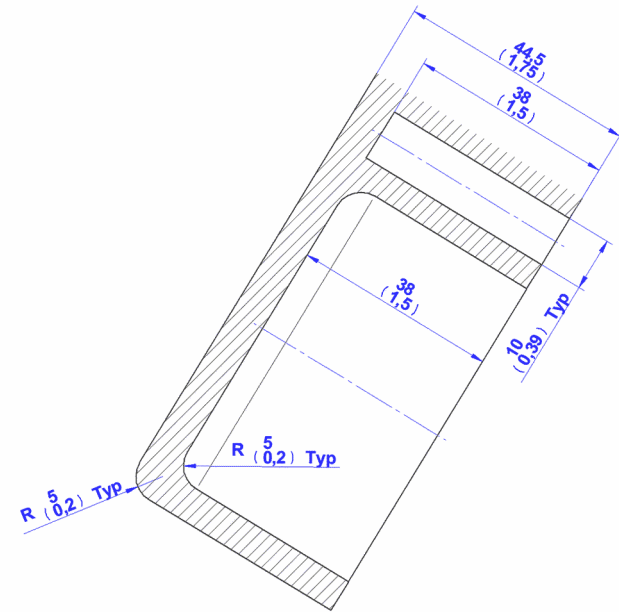




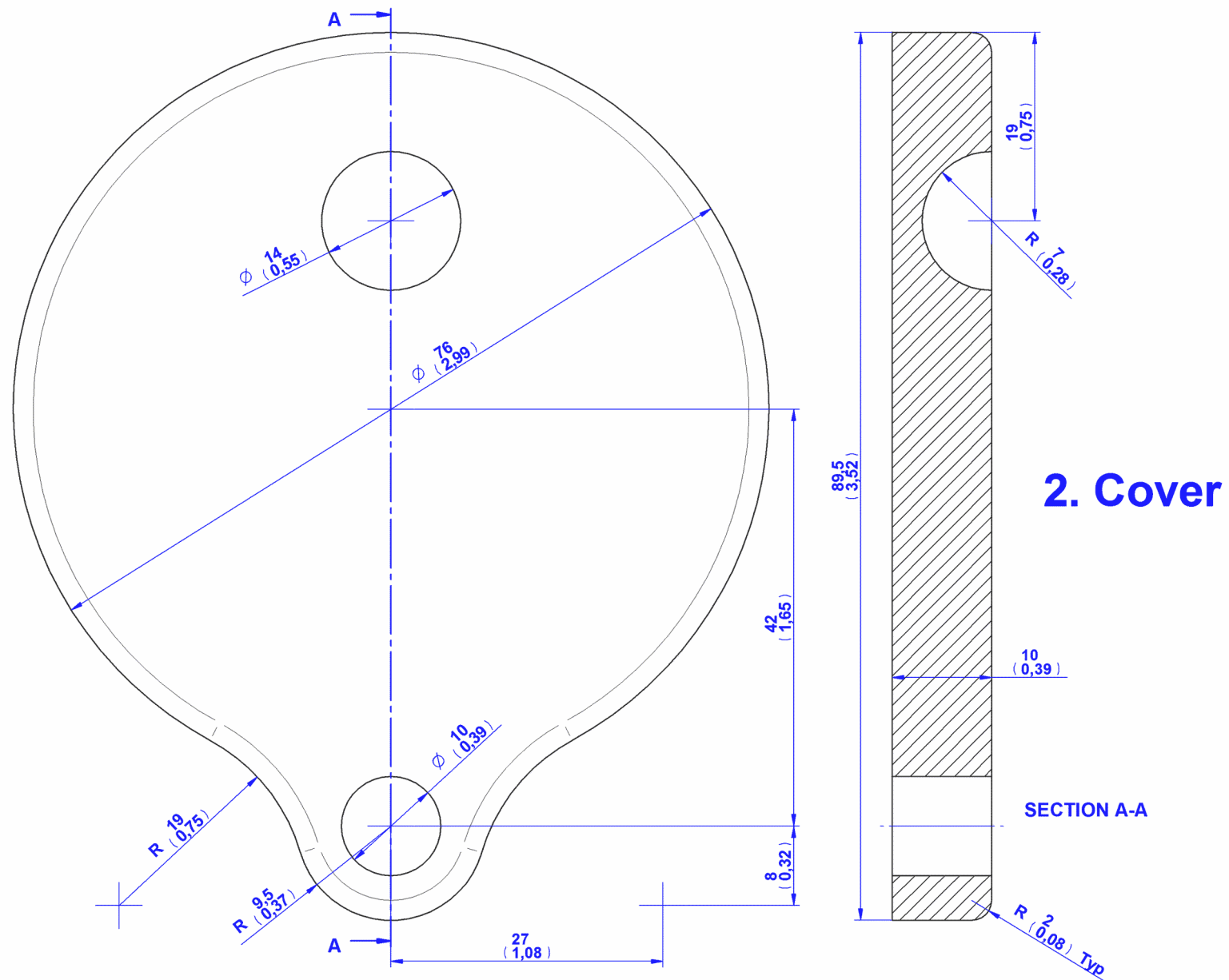
1. Bowl

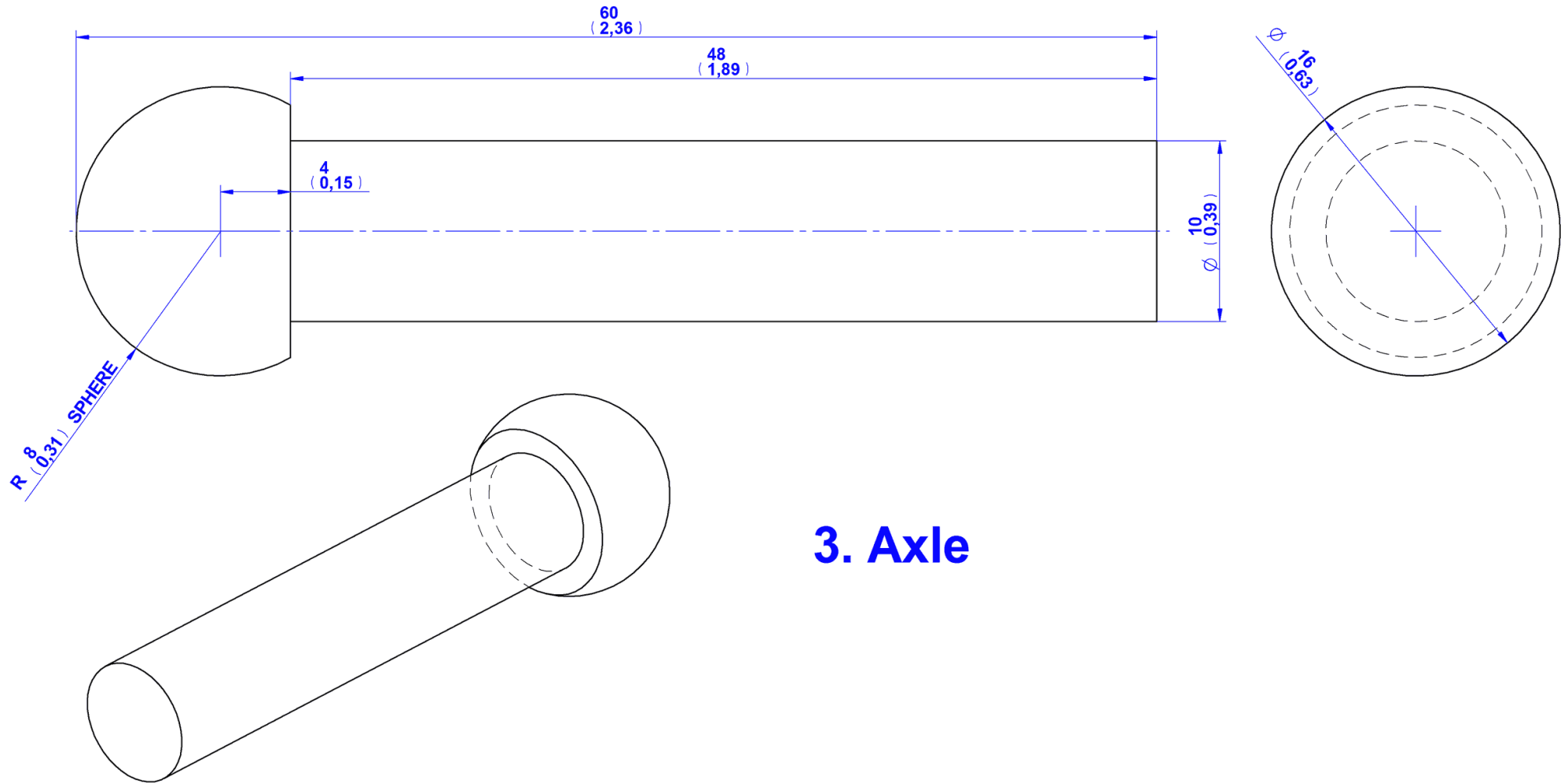


SECTION B-B

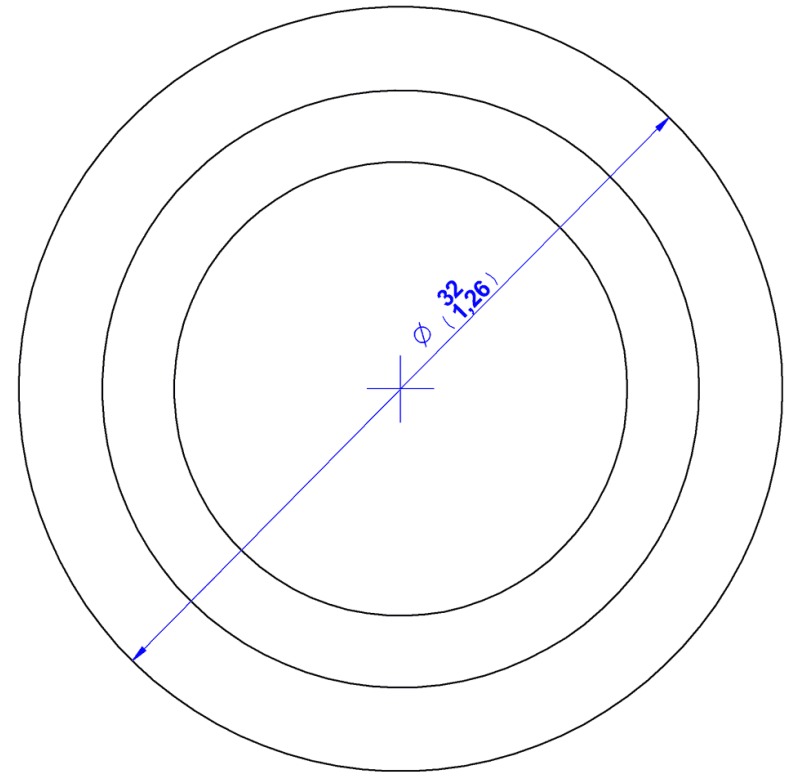
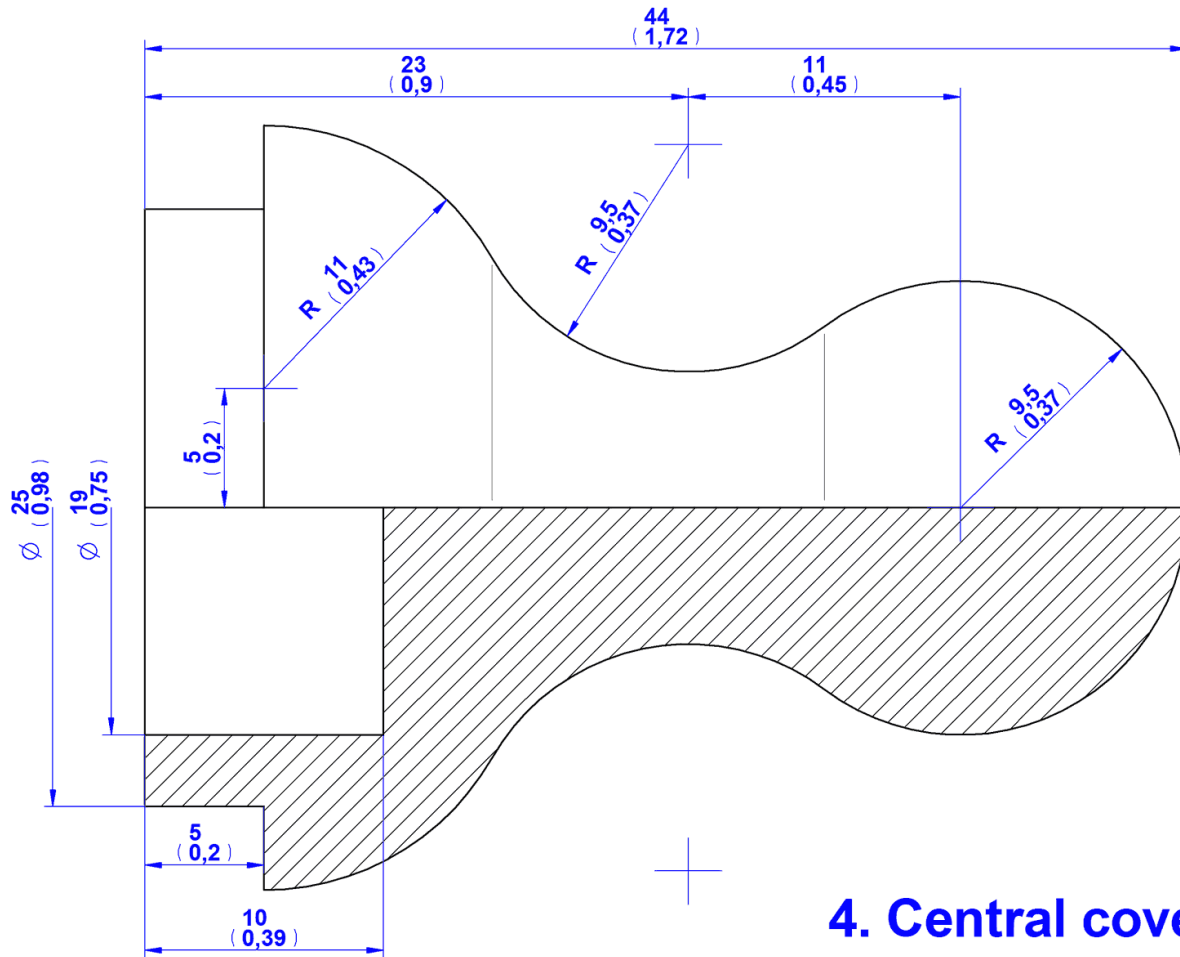


SECTION A-A



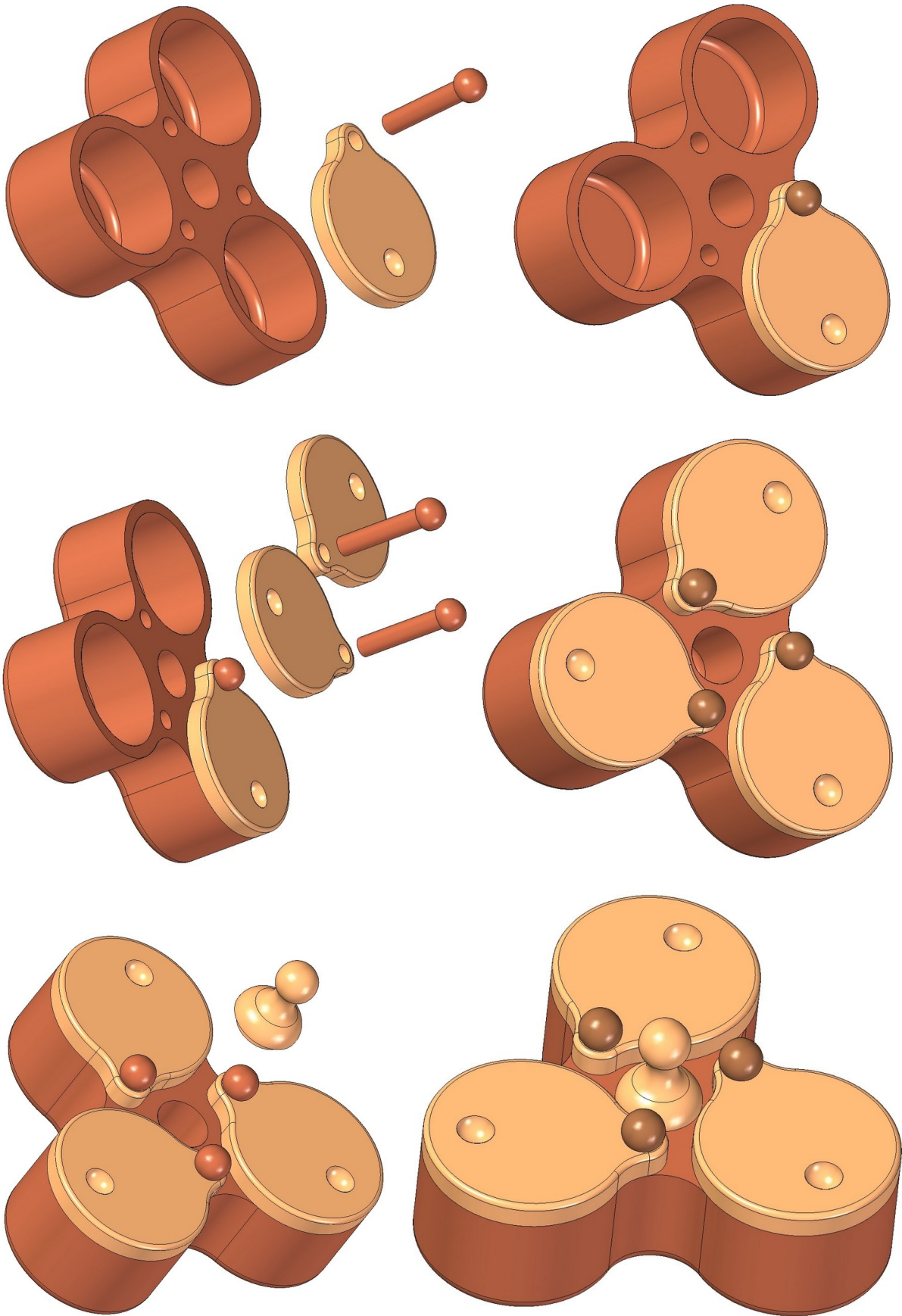


3. Axle

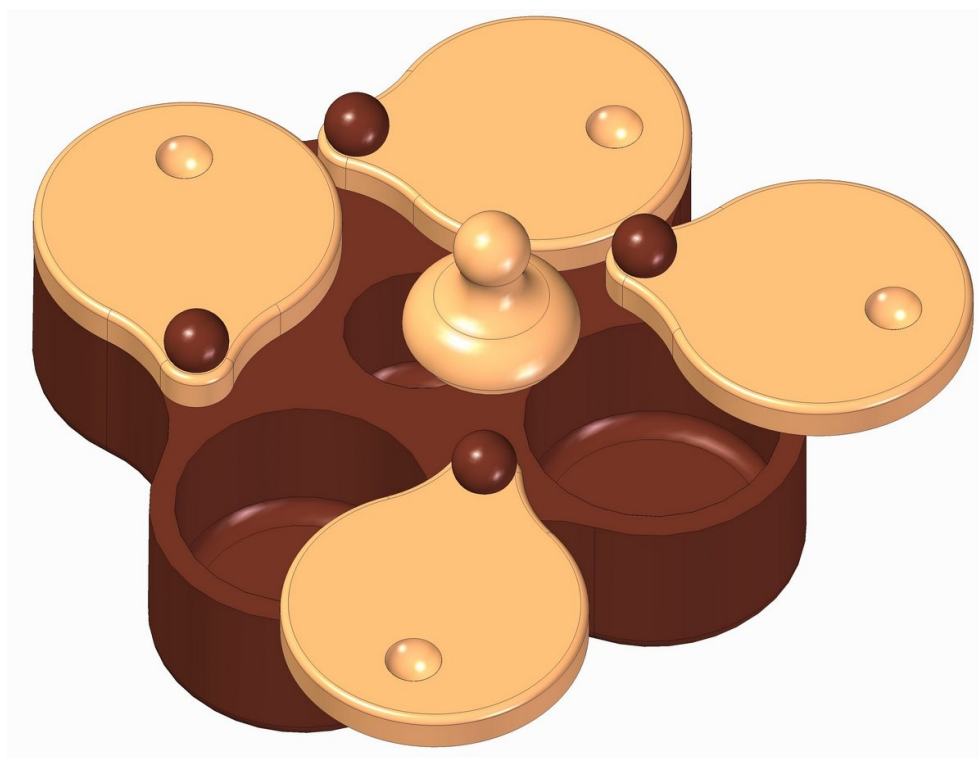


4. Central cover

Assemblage images

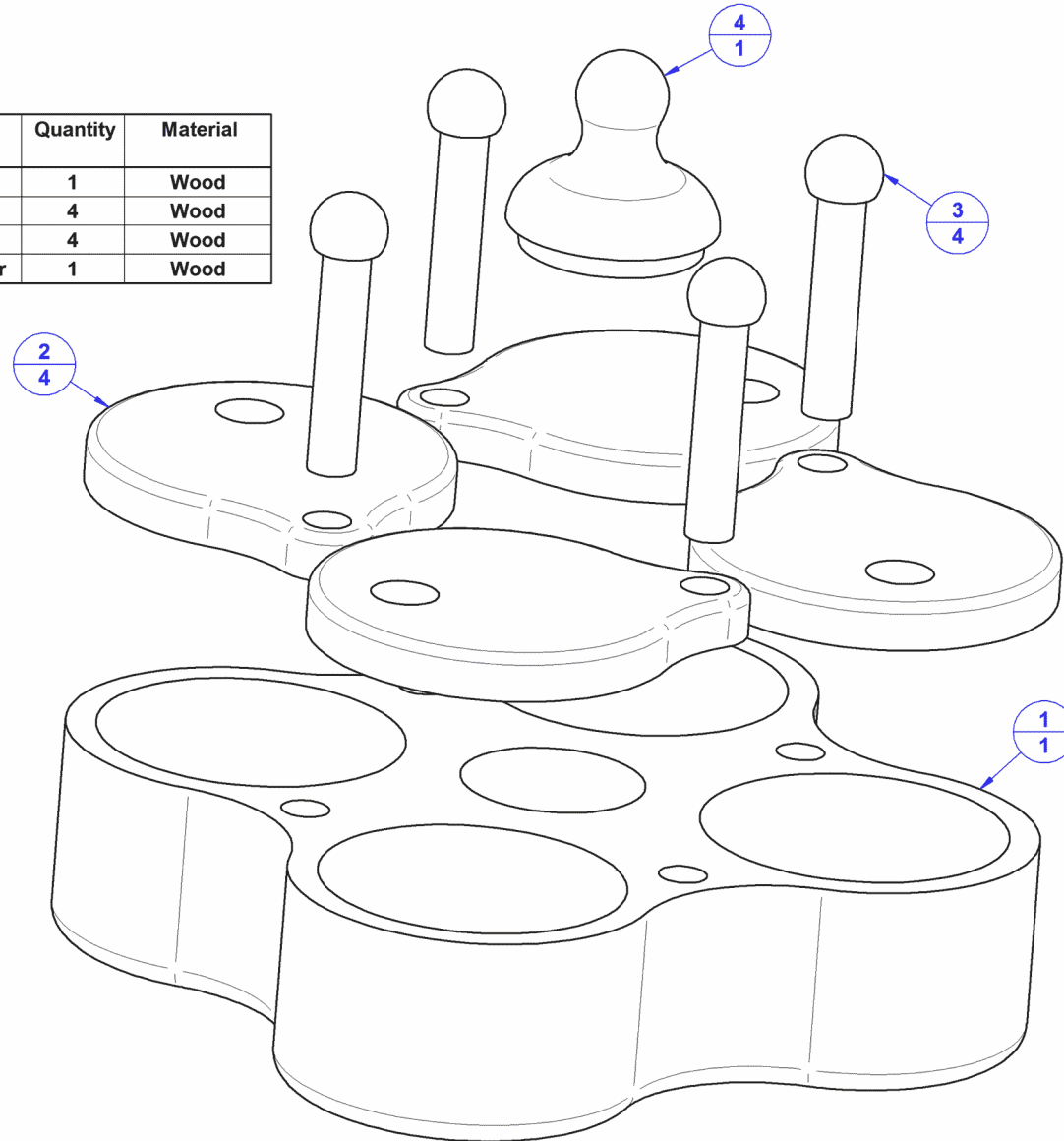


Sliding spice box plan – Four compartments

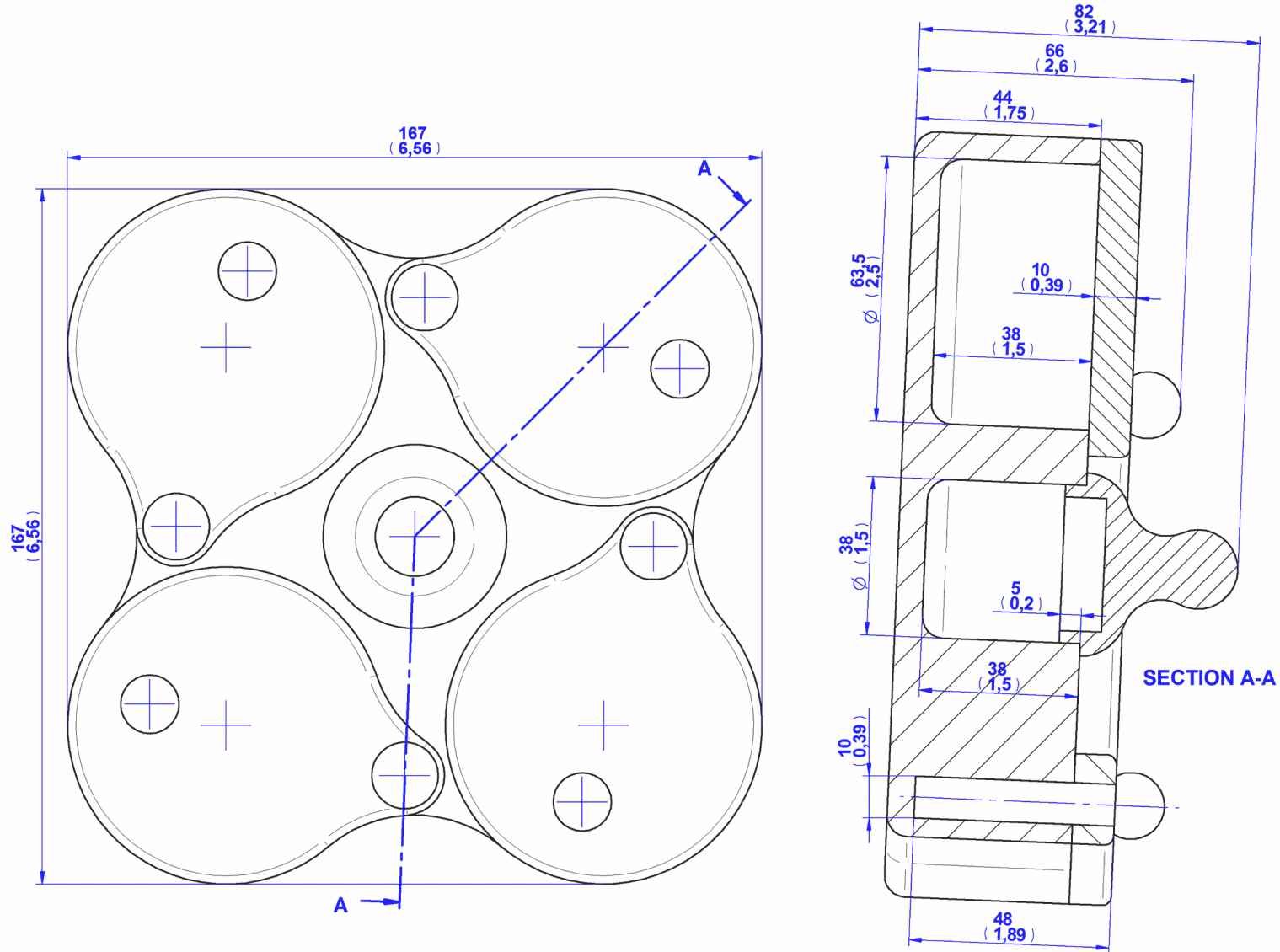


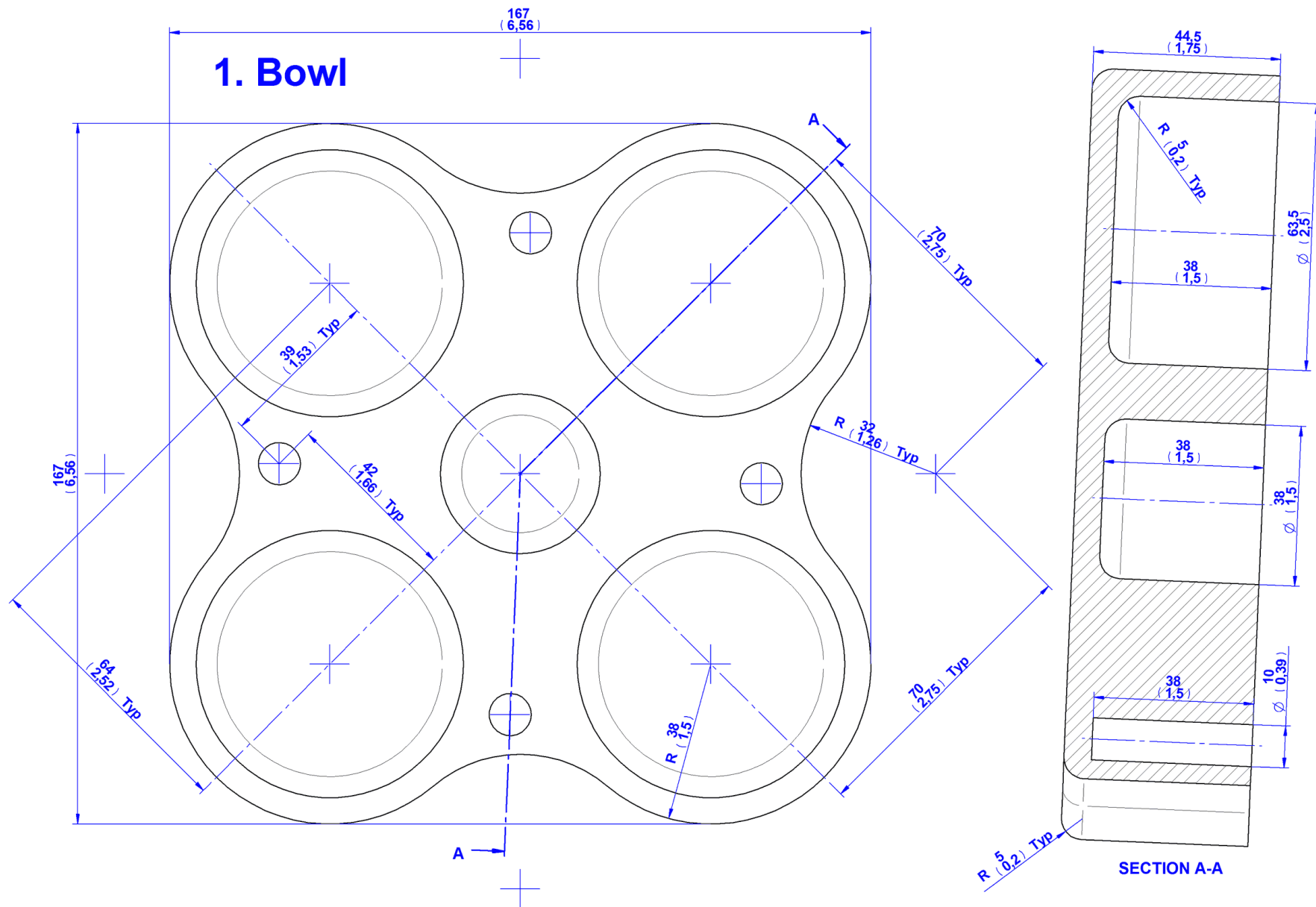
Sliding spice box plan (Four compartments) – Parts list

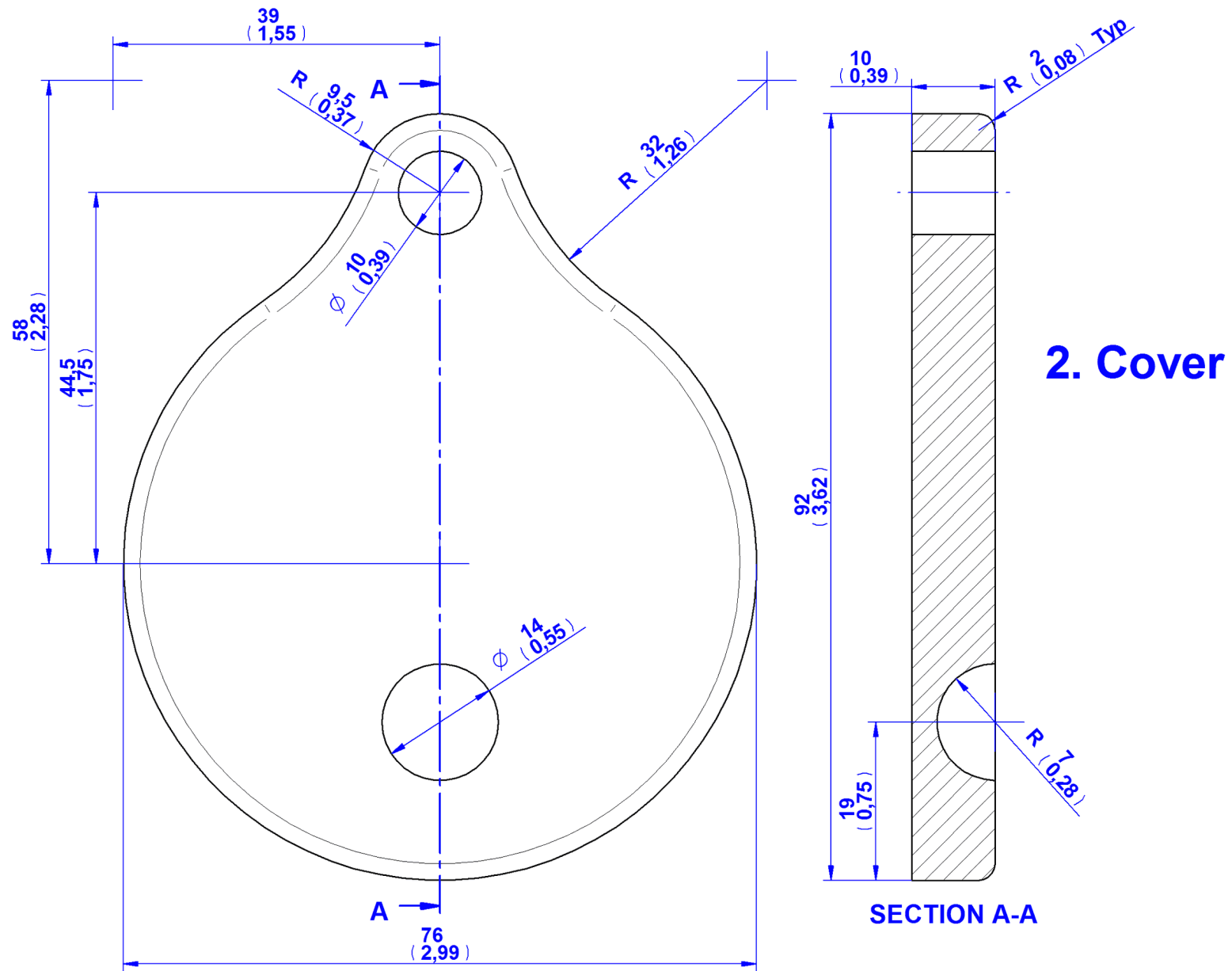
Item Number	Title	Quantity	Material
1	Bowl	1	Wood
2	Cover	4	Wood
3	Axle	4	Wood
4	Central cover	1	Wood

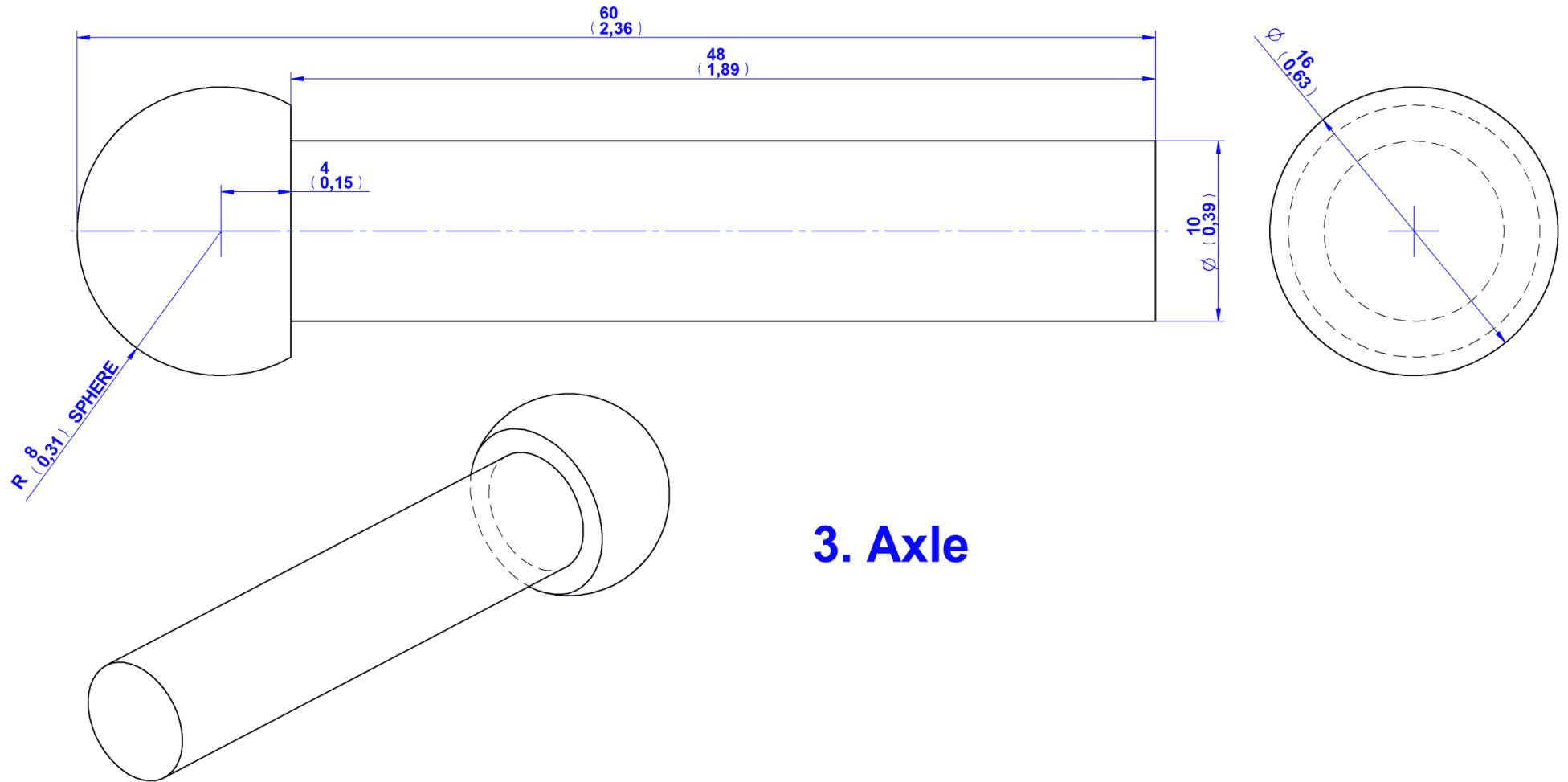


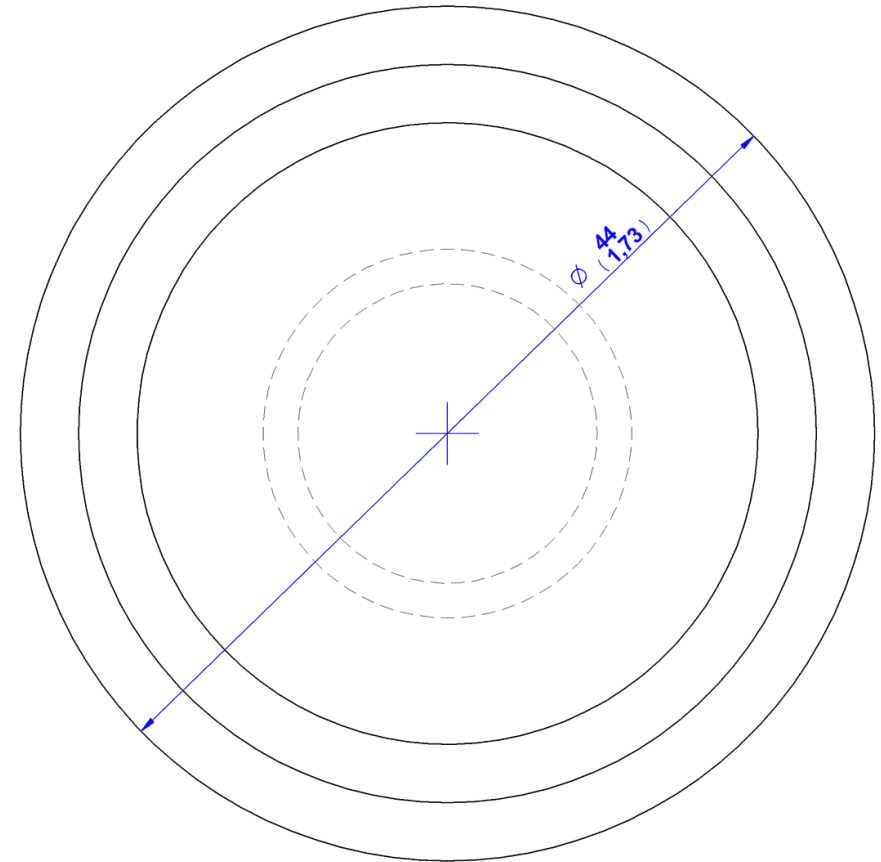
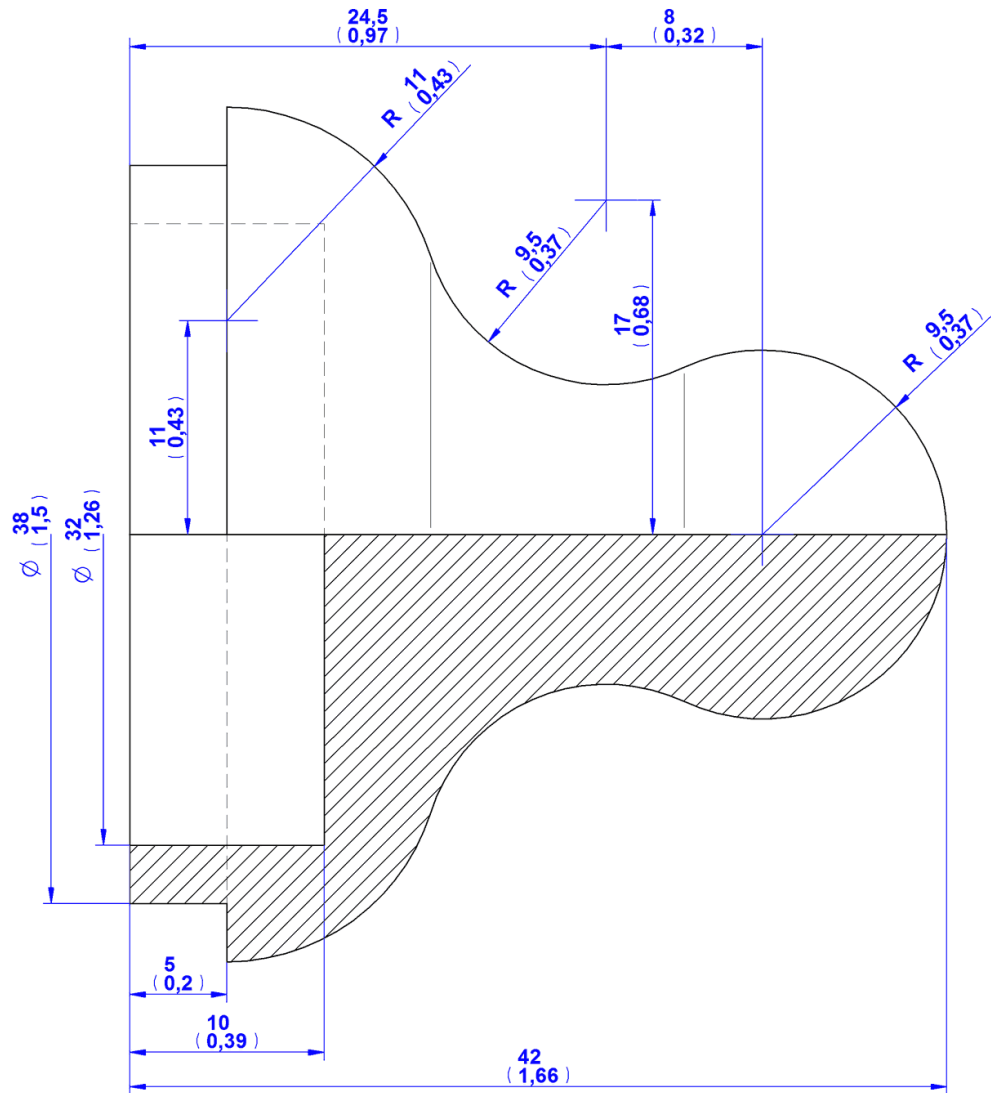
Sliding spice box plan (Four compartments) – Assembly 2D drawing





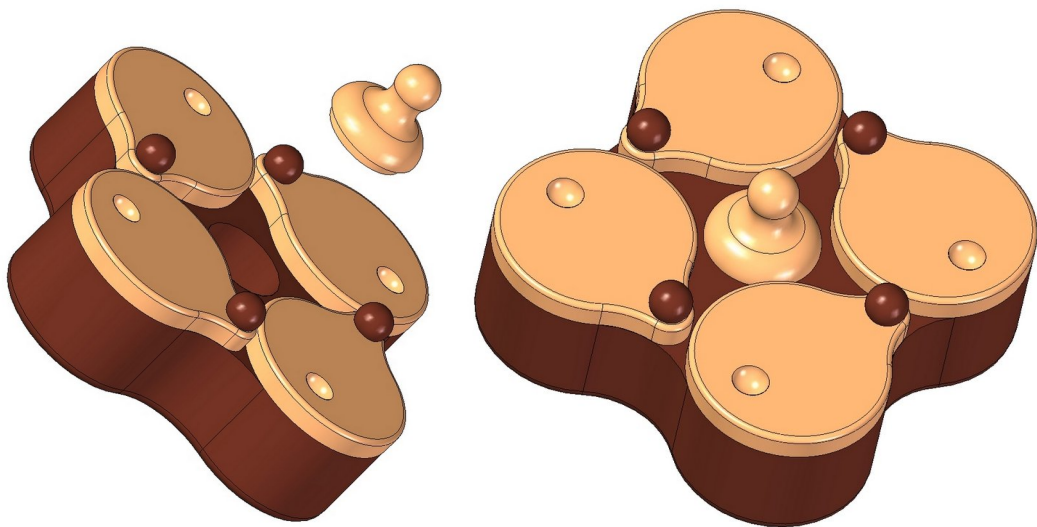
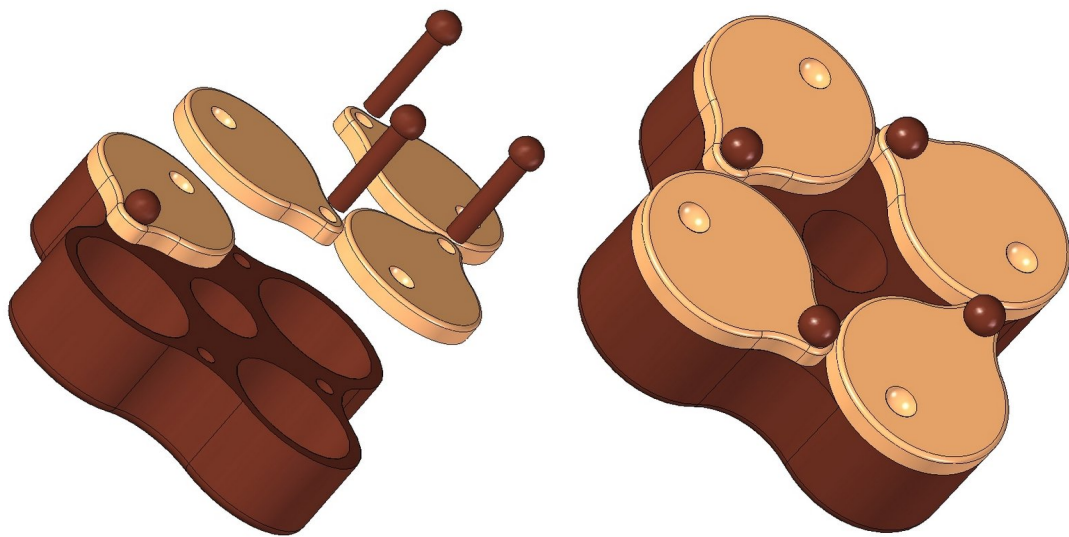
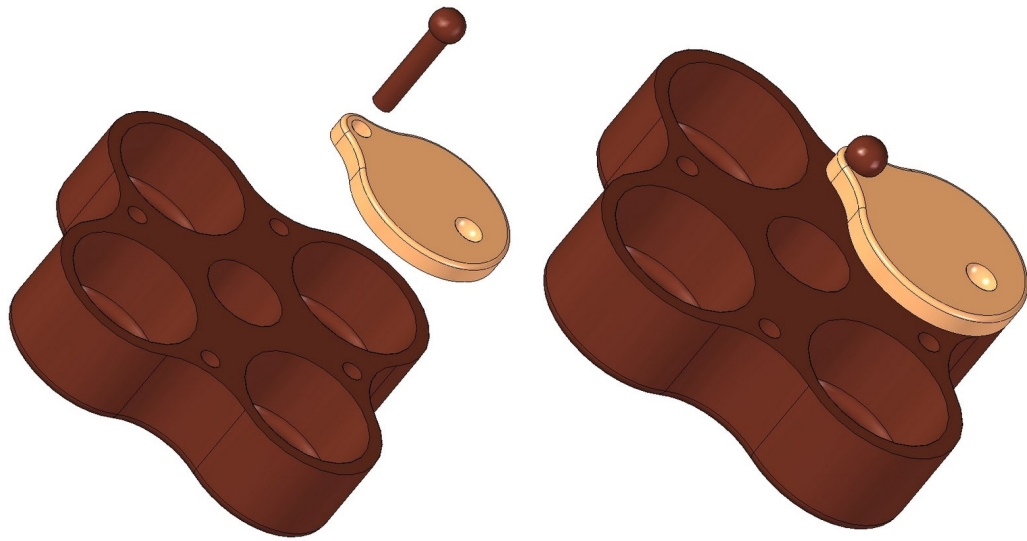




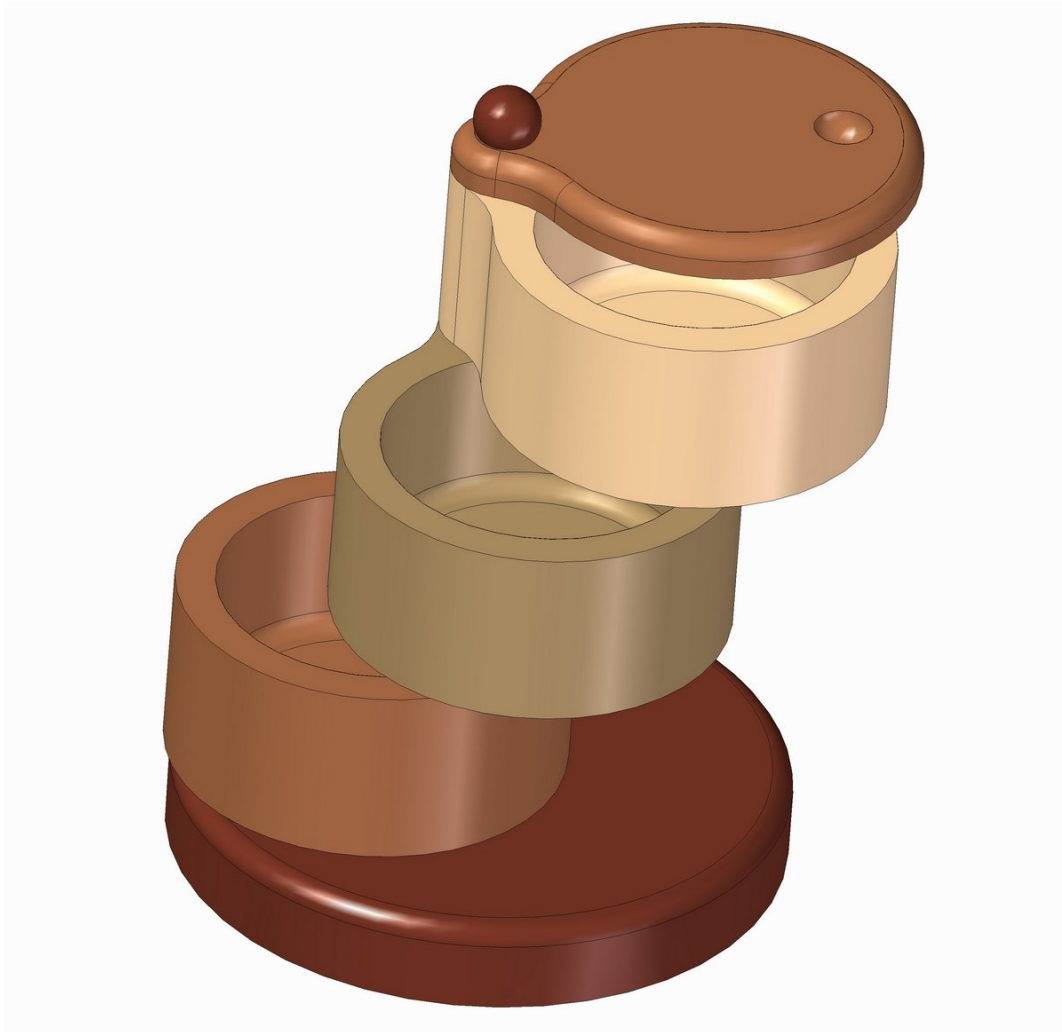


4. Central cover

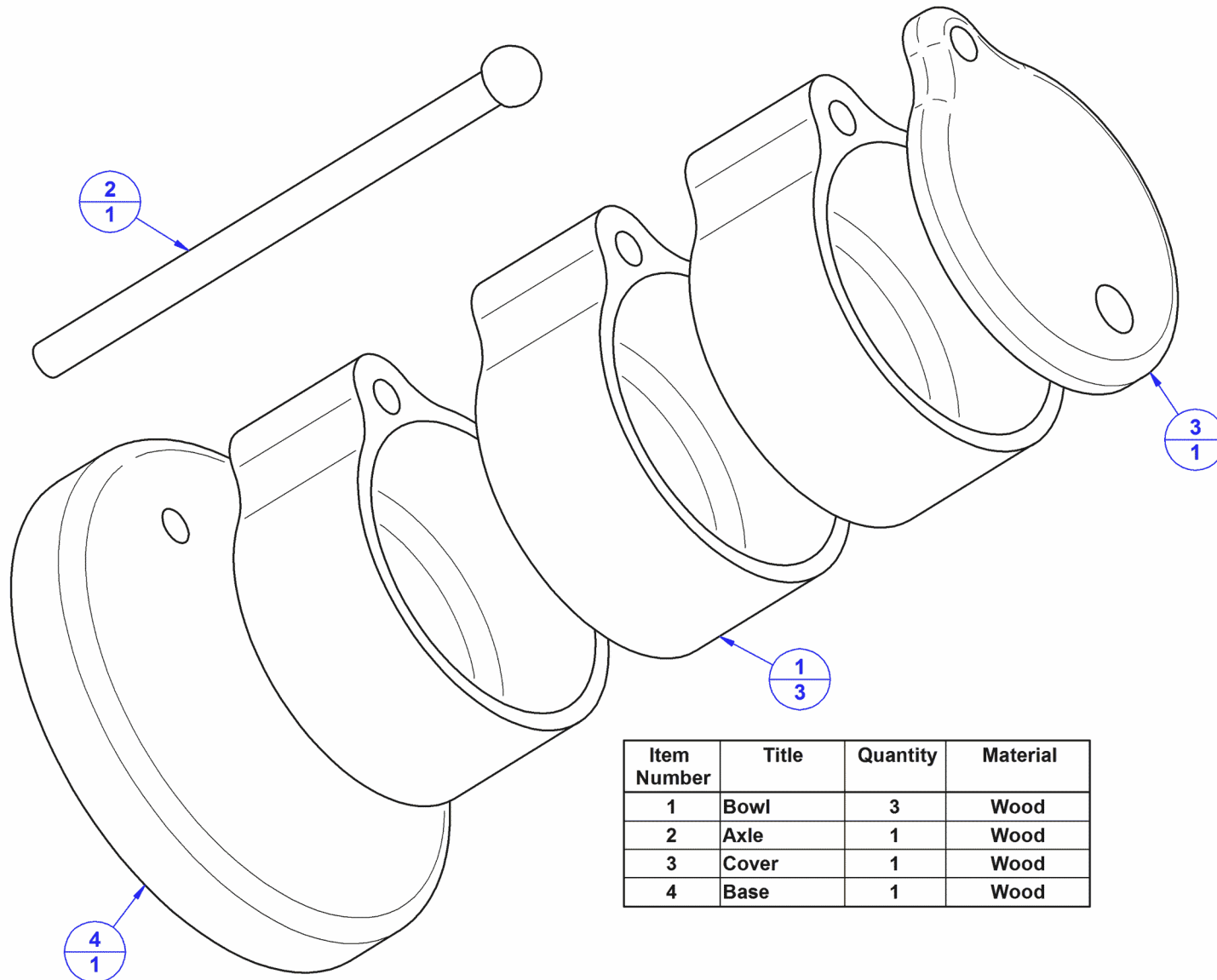
Assemblage images



Sliding spice box plan - Three vertical compartments

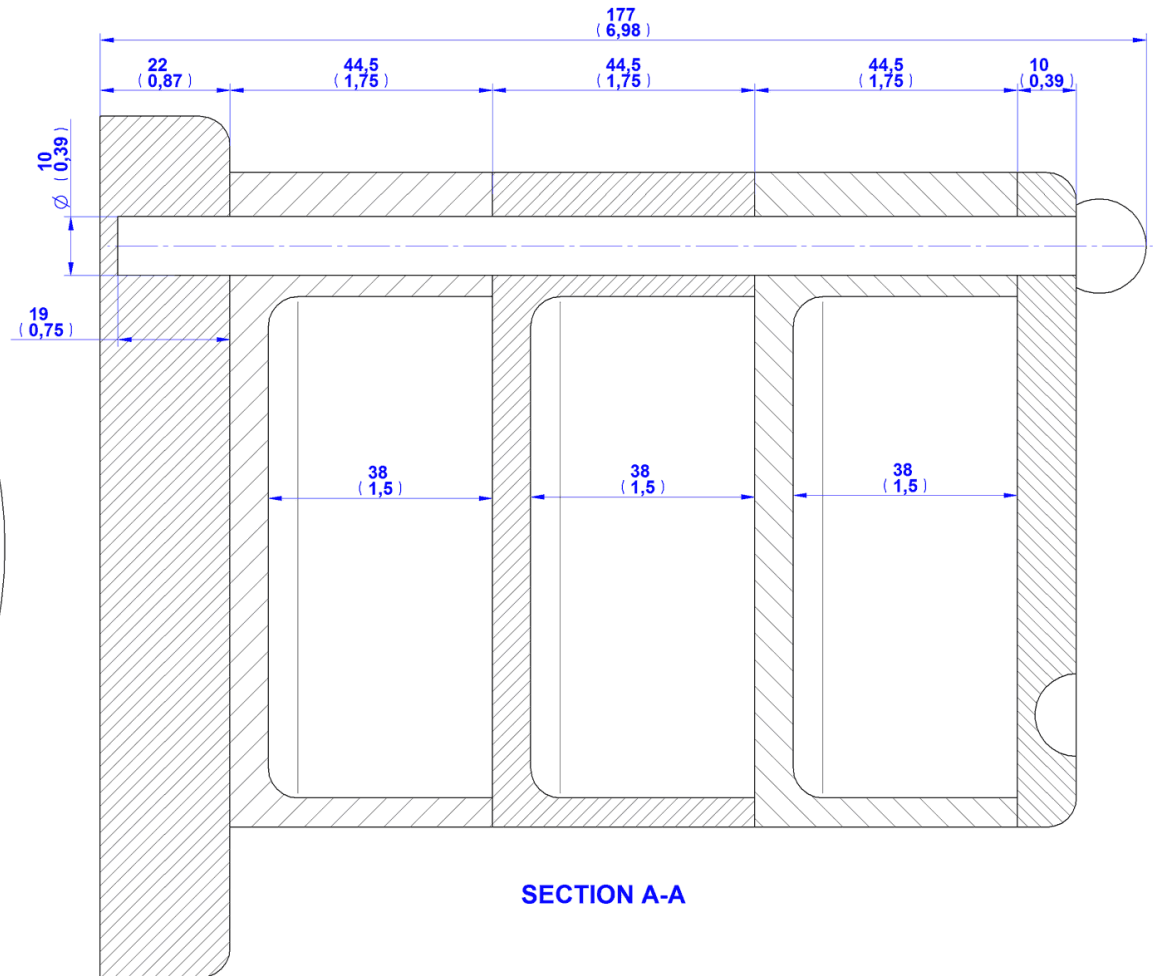
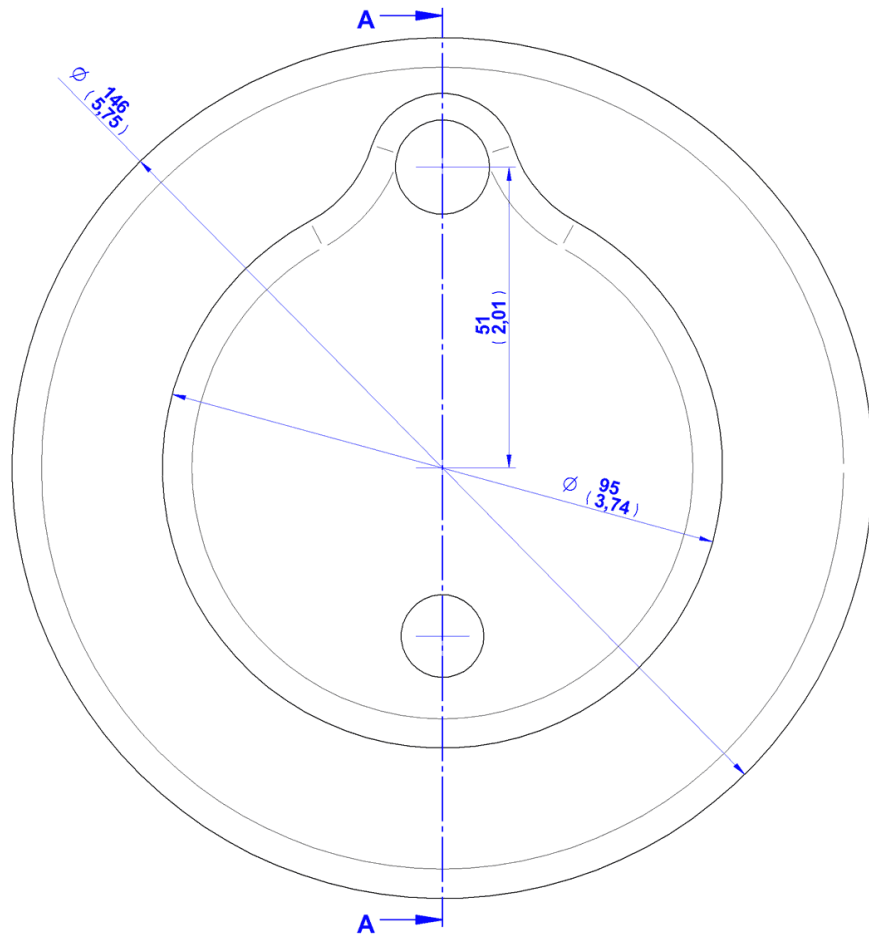


Sliding spice box plan (Three vertical compartments) – Parts list

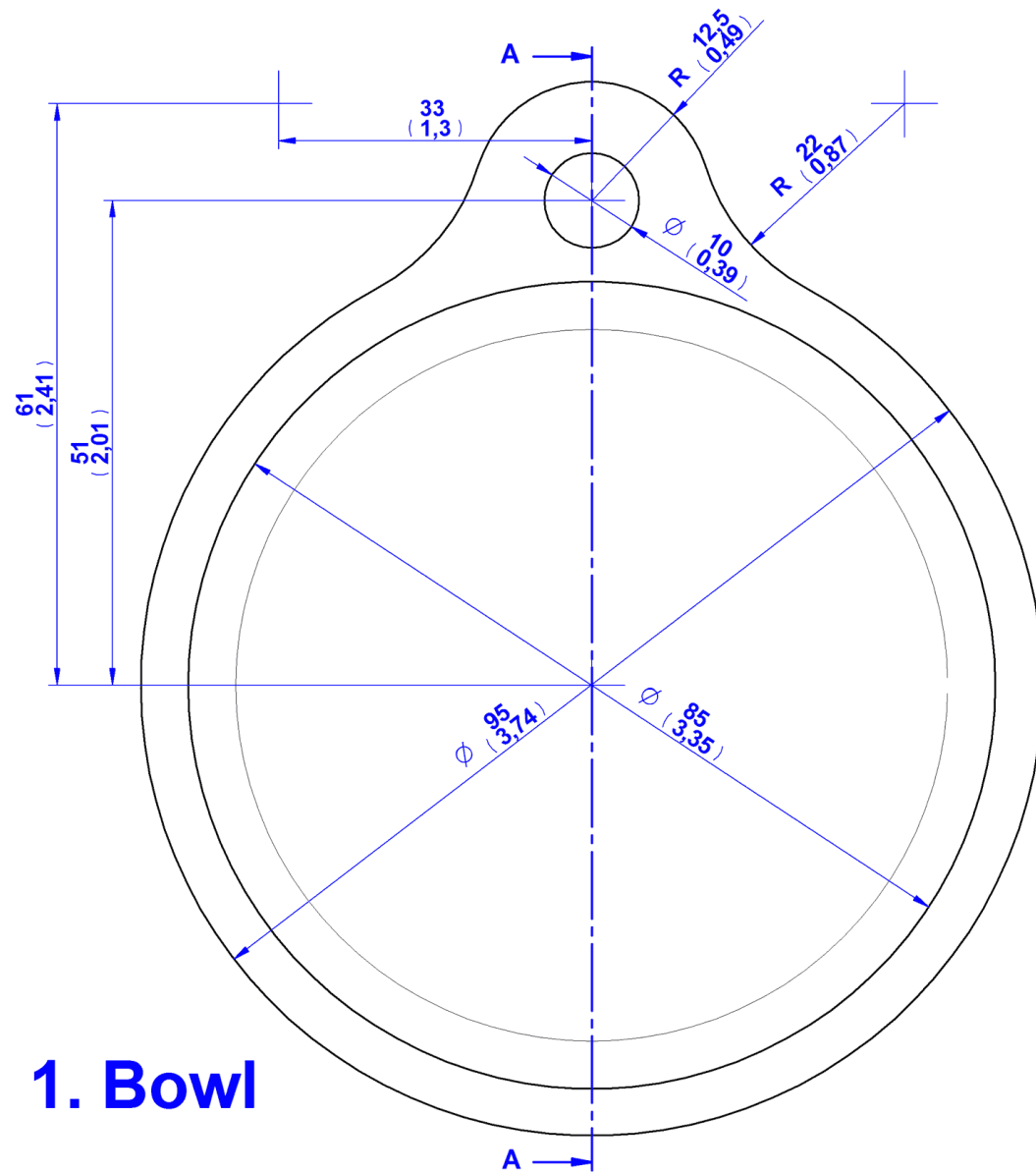


Item Number	Title	Quantity	Material
1	Bowl	3	Wood
2	Axle	1	Wood
3	Cover	1	Wood
4	Base	1	Wood

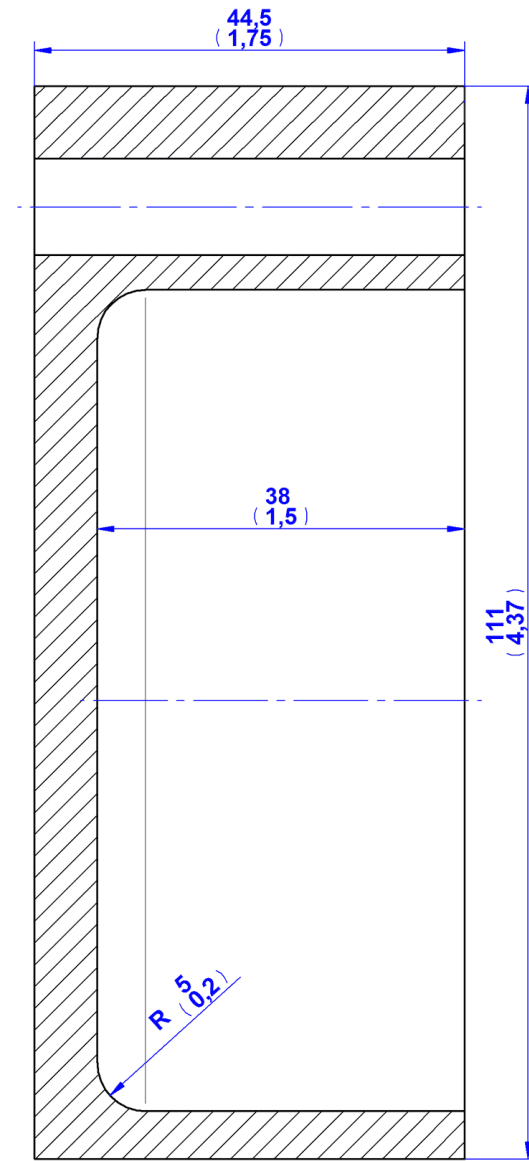
Sliding spice box plan (Three vertical compartments) – Assembly 2D drawing



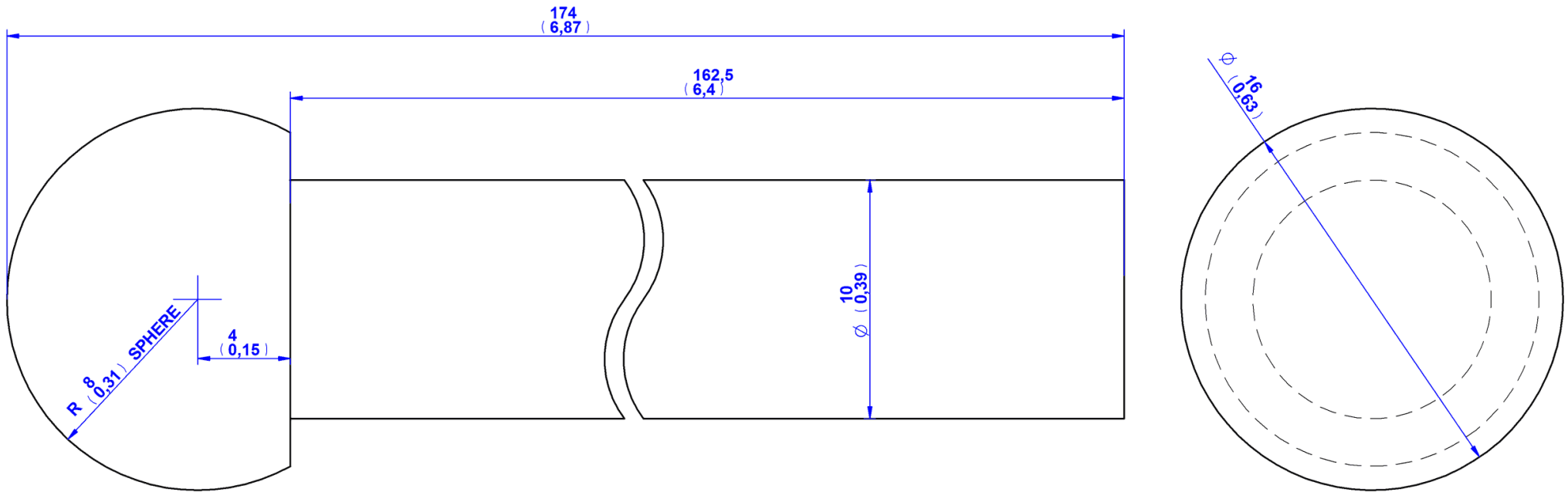
SECTION A-A



1. Bowl

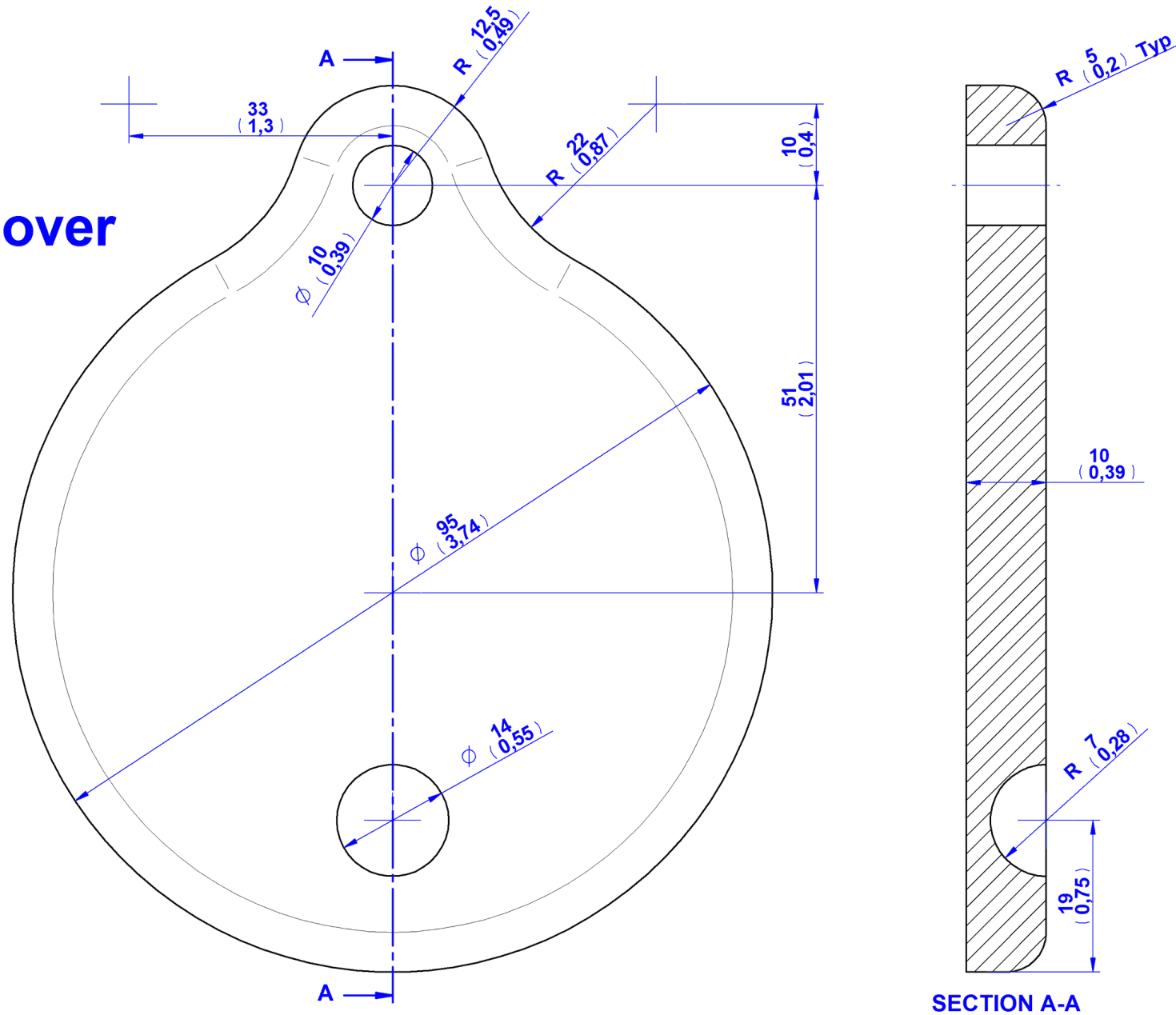


SECTION A-A

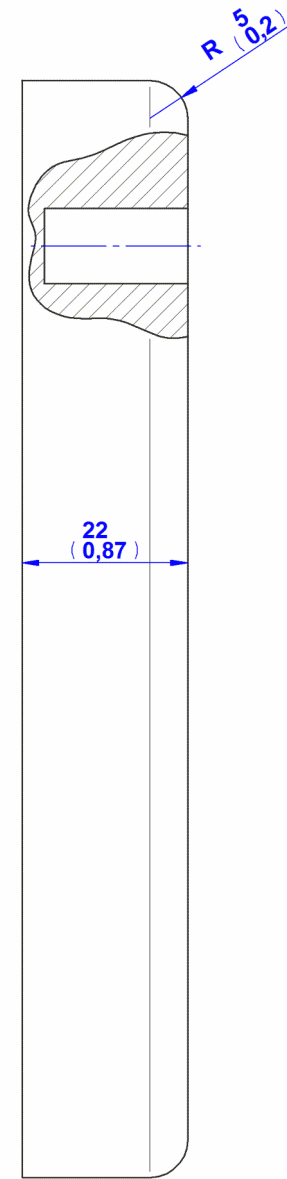
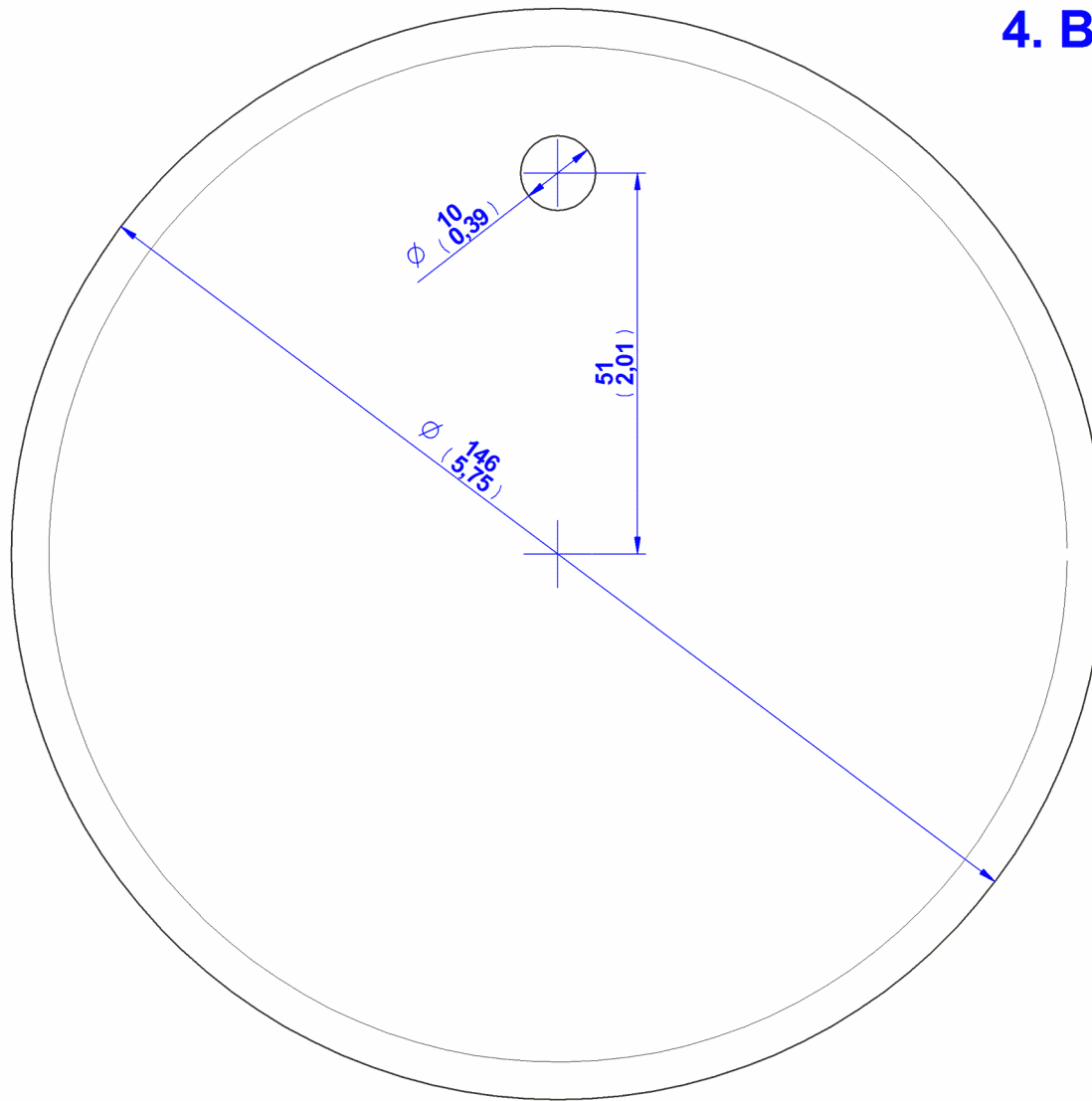


2. Axle

3. Cover



4. Base



Assemblage instructions

