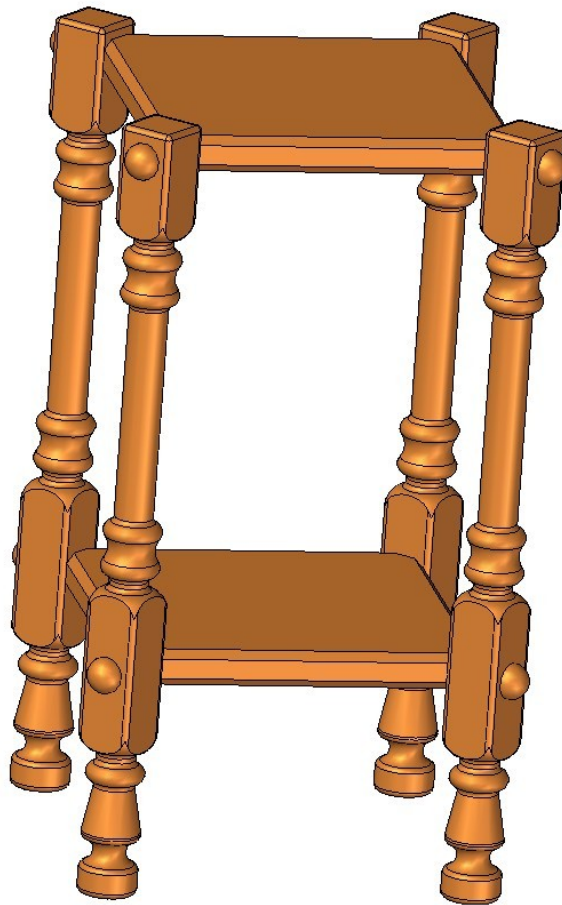


## Wooden taboret plan

Taboret (also tabouret) is one word describing two different pieces of furniture. One resembles more a cabinet and other stool. Our wooden stool taboret plan offers you a beautiful turned and decorative as well as functional piece of furniture in your home. Taborets have that classic, traditional design feel of an old Europe, and it can fit perfectly with almost any decor. Their small size and light weight makes them easily movable, so you can have them one period of time in the kitchen, then the living room, or even on the balcony as a stand for flower pots, vase or some other ornaments.



As you can see in the picture, here you are offered a plan to build a tabouret stool that consists of four legs and two boards. The legs and boards are interconnected with the parts named pins. These pins are in fact dowels with a rounded head, which have a decorative role.

It is a very simple construction that can be easily adjusted to your needs:

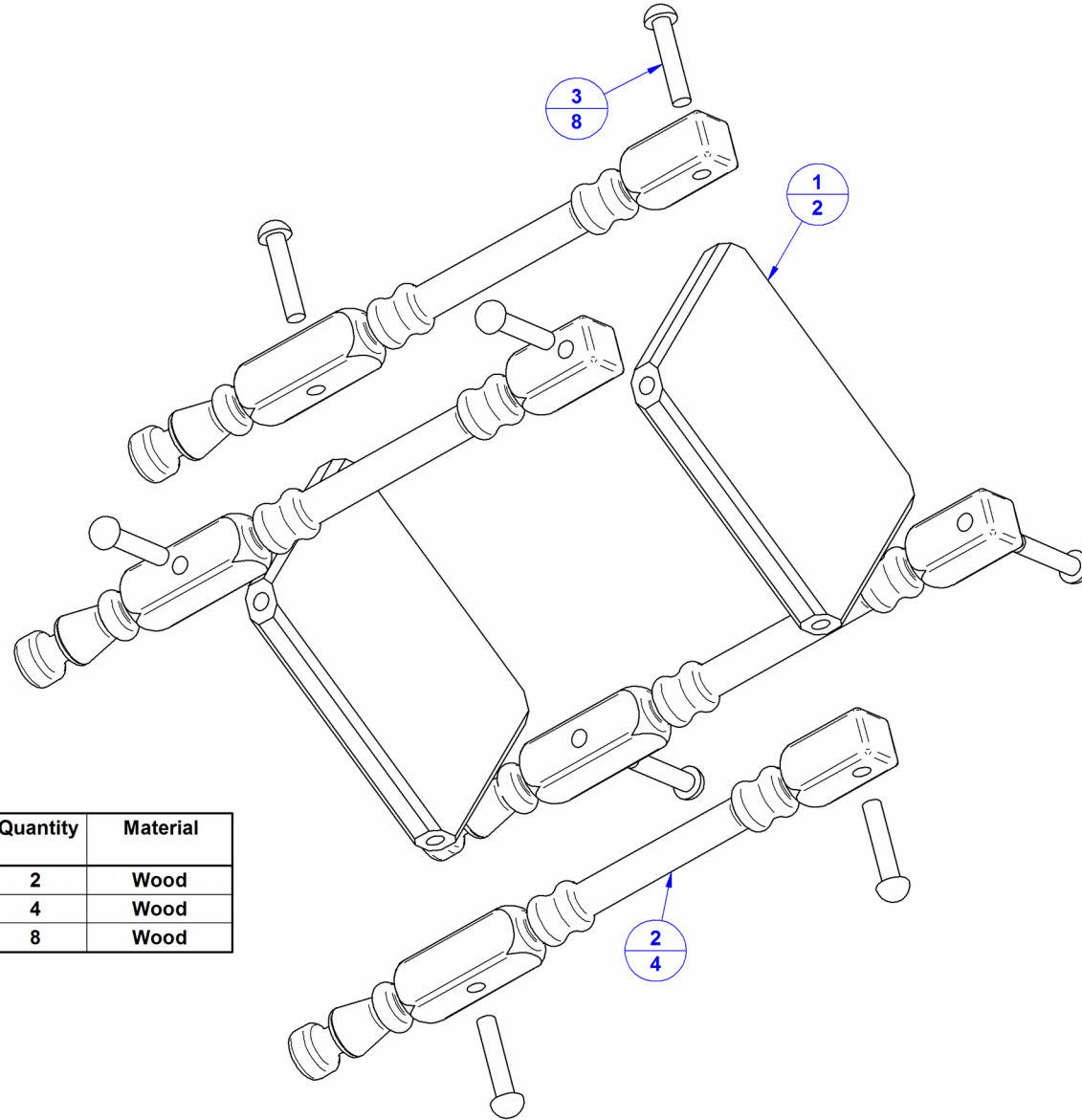
- the dimensions of parts - legs and boards - can be changed, i.e., adjusted to your room space;
- multiple boards can be inserted, or even a drawer beneath the upper board;
- you can choose a different pin head design;
- you can make the legs look different on a lathe; if this machine tool is not at your disposal, however, make

the legs to be rectangular and decorate them using chip carving technique, cutting various chamfers on the edges and the like.

It is obvious that, with small corrections made to this tabouret, you can quickly and easily build your authentic piece of furniture that is very universal and functional. The making of this tabouret stool does not belong to difficult projects, and we recommend it to beginners. In the pictures included in our plan you are given all the necessary information and dimensions needed to do this woodworking project. We recommend to beginners to develop their woodworking skills based on books and video tutorials on the Internet, or by consulting experienced woodworkers. When it comes to the choice of material, both softwood and hardwood are fine, and the finish also depends on your preference. We hope that you will like the idea to create a tabouret stool according to our plan, and that you will find the time to send us some pictures of your finished projects!

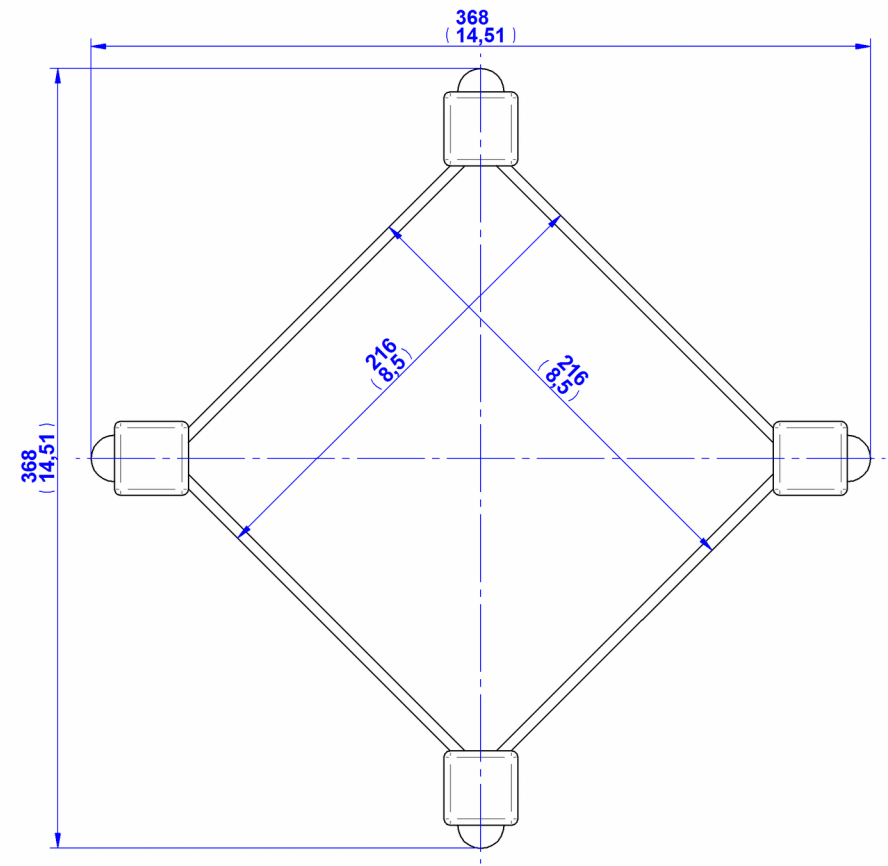
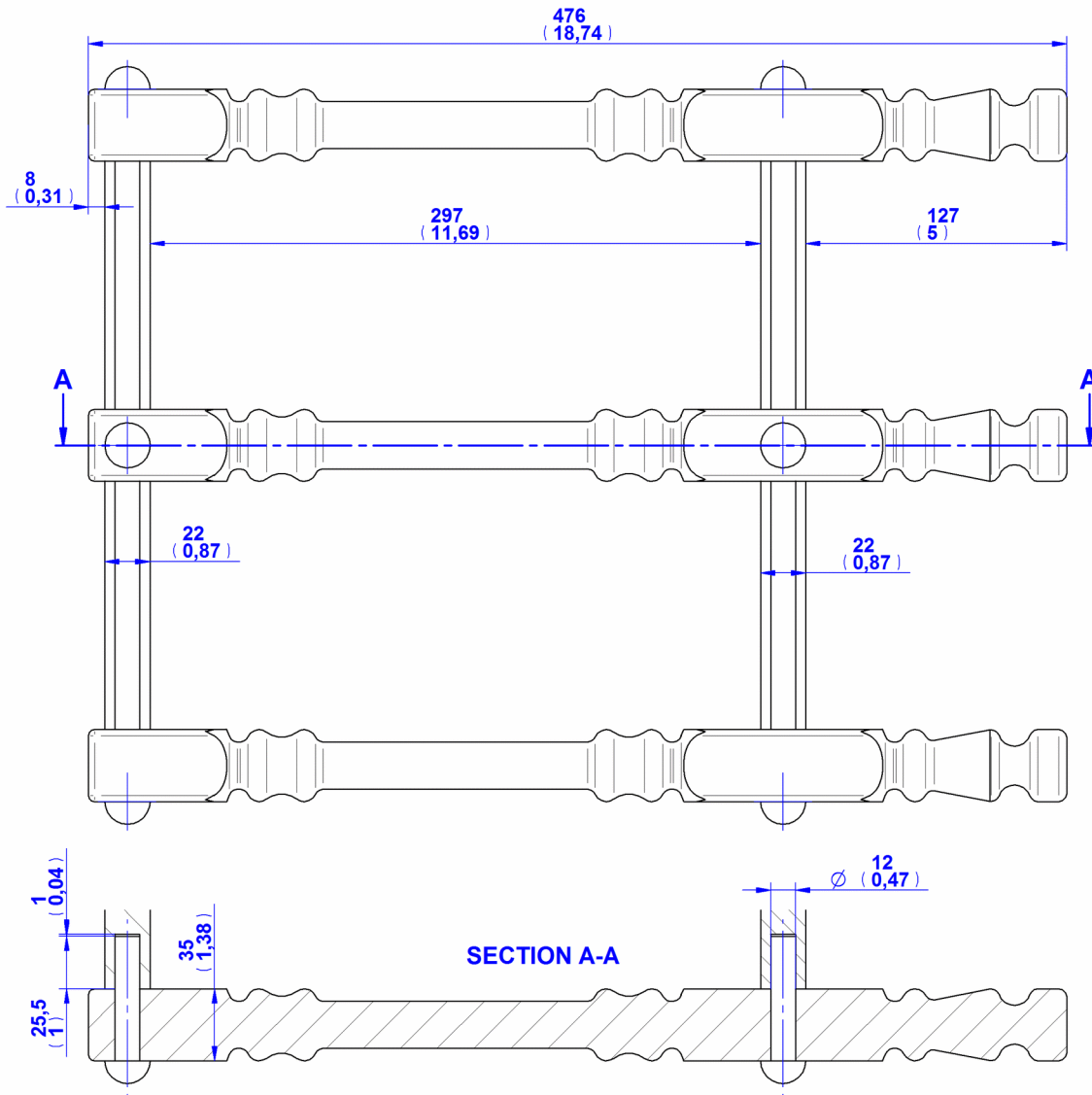
The measurements are given in millimeters, while the measurements given in inches are in brackets (1 inch = 25, 4 mm).

## Taboret plan – Parts list

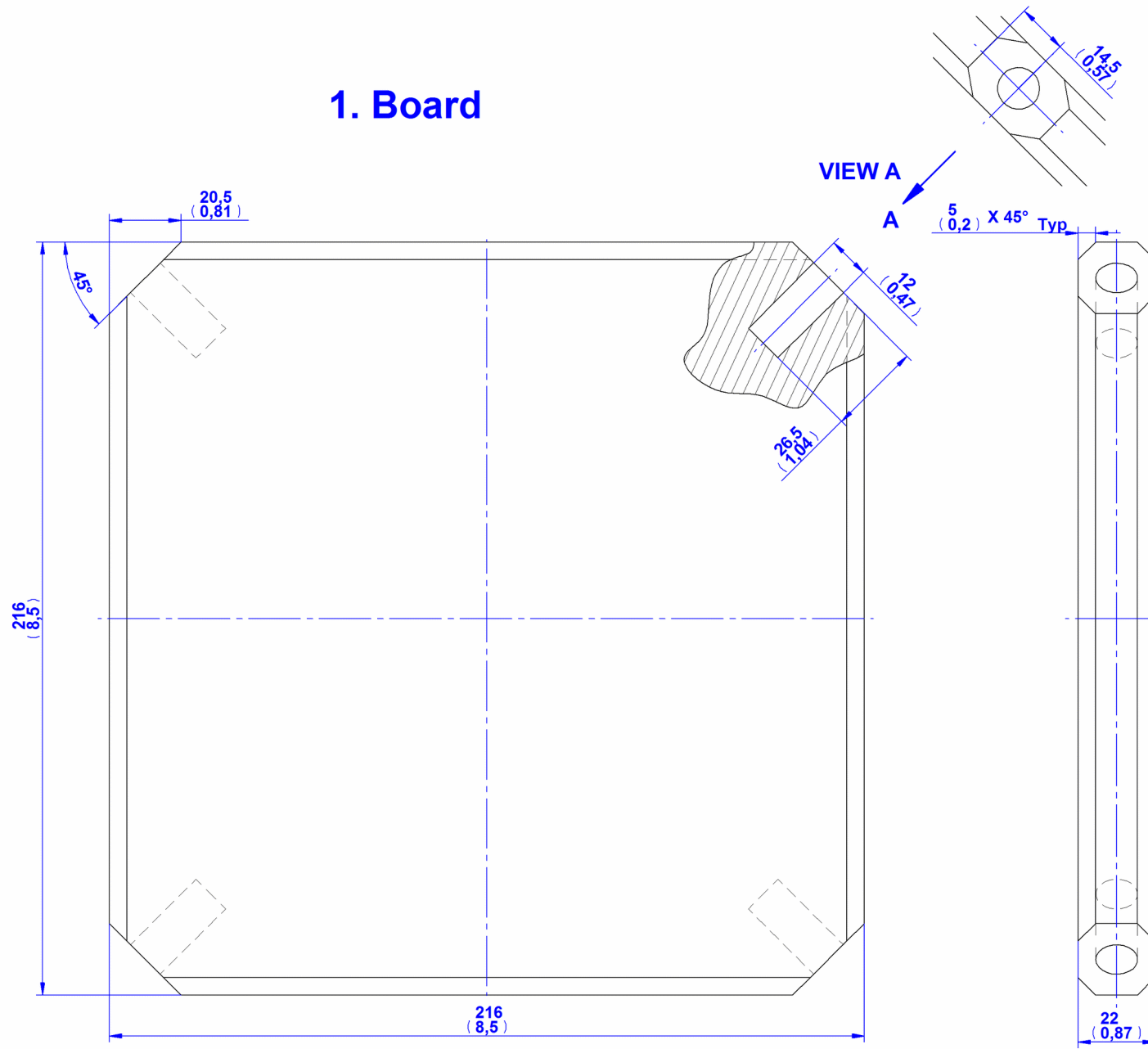


Item Number	Title	Quantity	Material
1	Board	2	Wood
2	Leg	4	Wood
3	Pin	8	Wood

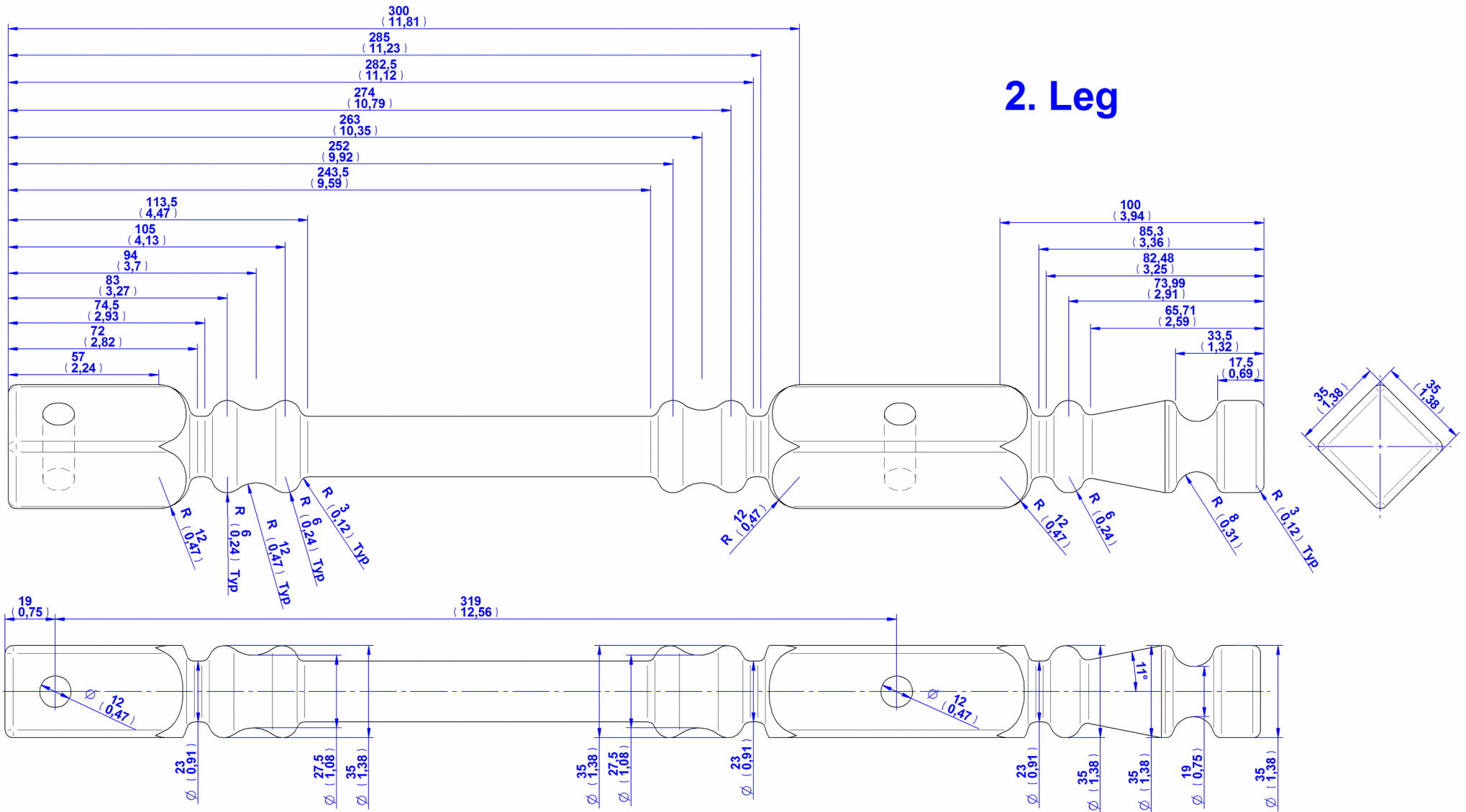
Taboret plan- Assembly 2D drawing

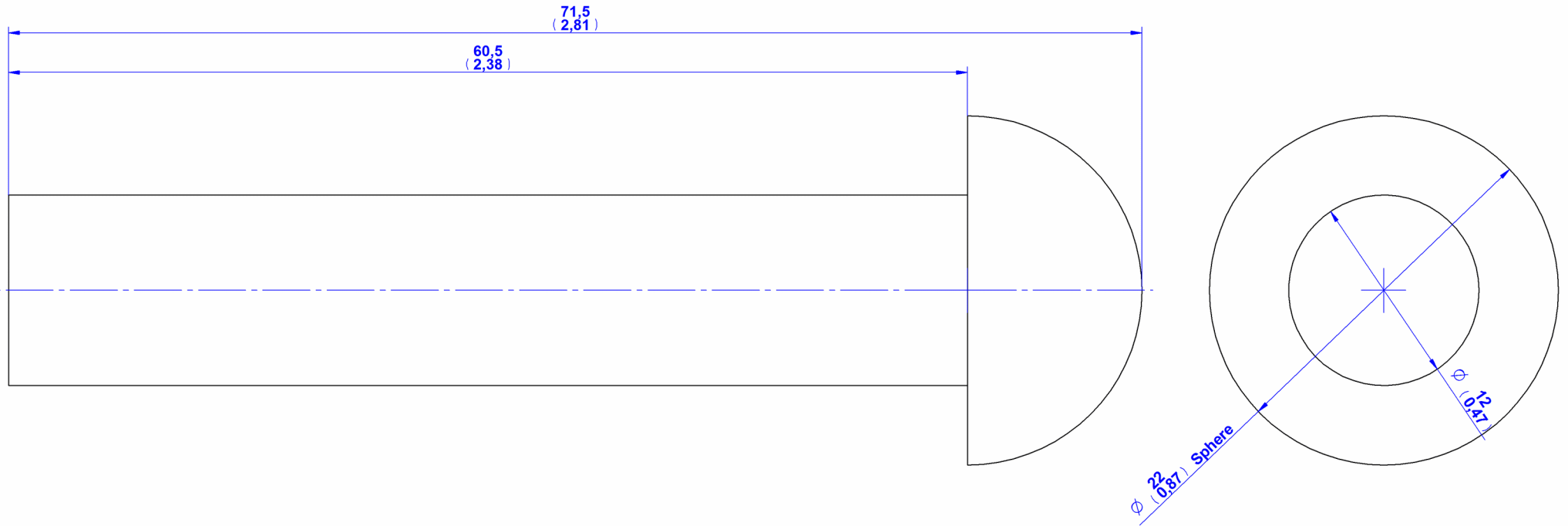


# 1. Board



## 2. Leg





### 3. Pin

## Assemblage images

