

Wooden towel stand plan

This rack is intended to be used in the bathroom, or kitchen, where towels may be hung to dry. It is so easily moved about that it may be stood before the radiator or stove to take advantage of the heat in drying out towels. Another use of this rack is that of holding newly ironed linens, such as towels, pillow slips, sheets, etc., until the ironer is ready to put the things away.

Clean and smooth all surfaces before assembling, as this is easier to do at this time. Two coats of white paint and one coat of white or colored enamel will make the most serviceable finish for this article.

Source: Elementary woodworking projects - Harold R. Wise (The manual arts press - Peoria, Illinois - 1922)



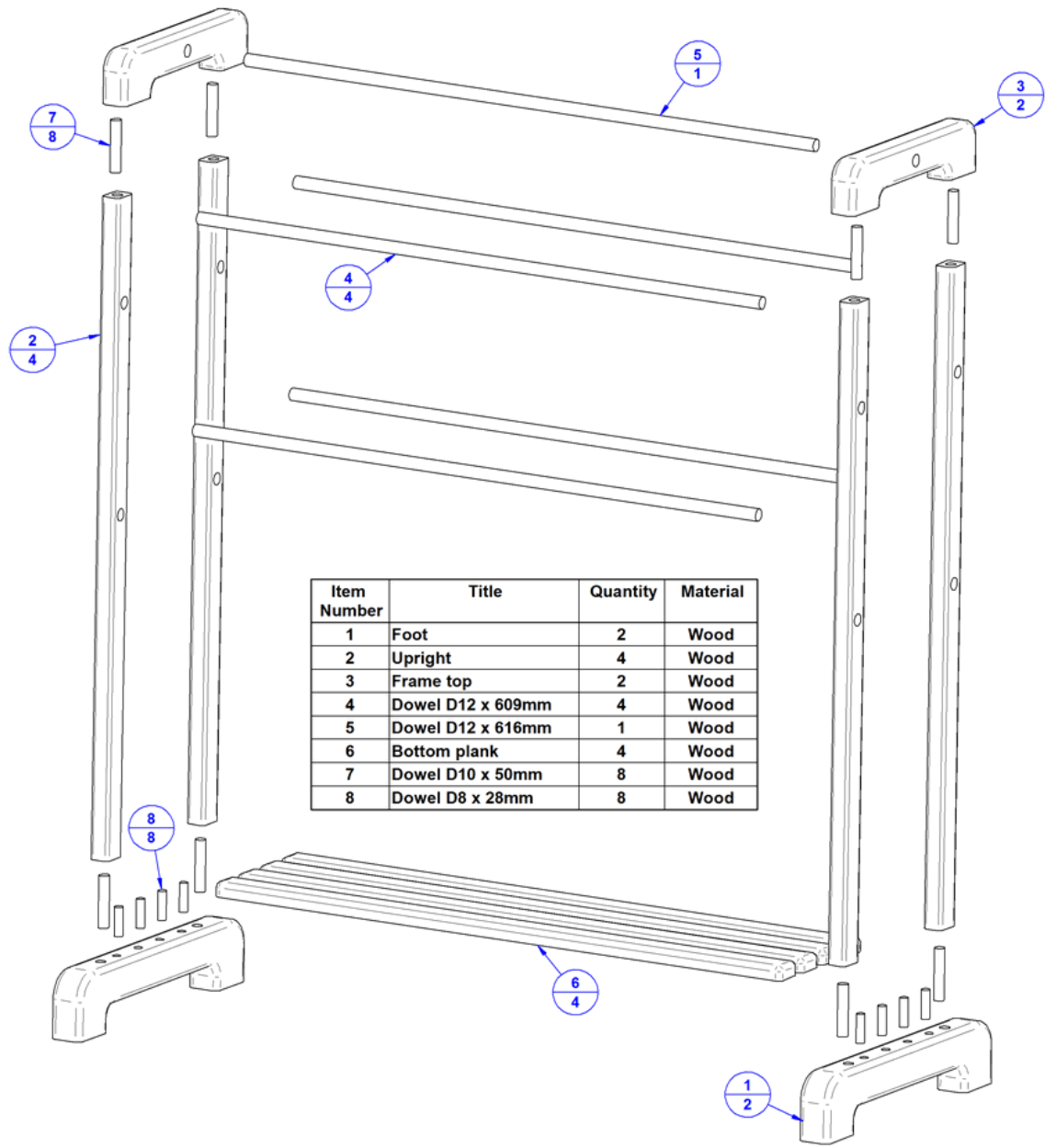
As you can see, in old books you can find high-quality free woodworking plans that are still up to date. The towel stand made according to this plan has kept its original function and can be used for the same purpose as

before. Although it may seem outdated to the lovers of modern design, for most people it is a useful everyday object, with nice lines and made from wood which is, for many, still the best and most comfortable material in furniture making. To make this towel stand, it is not necessary to have a great experience in woodworking, except for a sense of precision that is required in almost all woodworking projects. The parts are of a simple shape and all the woodworking joints are made using dowels and glue (Butt woodworking joints reinforced with dowels).

Since the towel stand is often in contact with moisture and heat, make it from some high-quality wood and protect it with waterproof finish to prevent moisture damage over time. Make sure that the finish you use is not water absorbent because, in this case, the moisture from the towels will slowly dissolve the agent used to protect the construction and stain the towels.

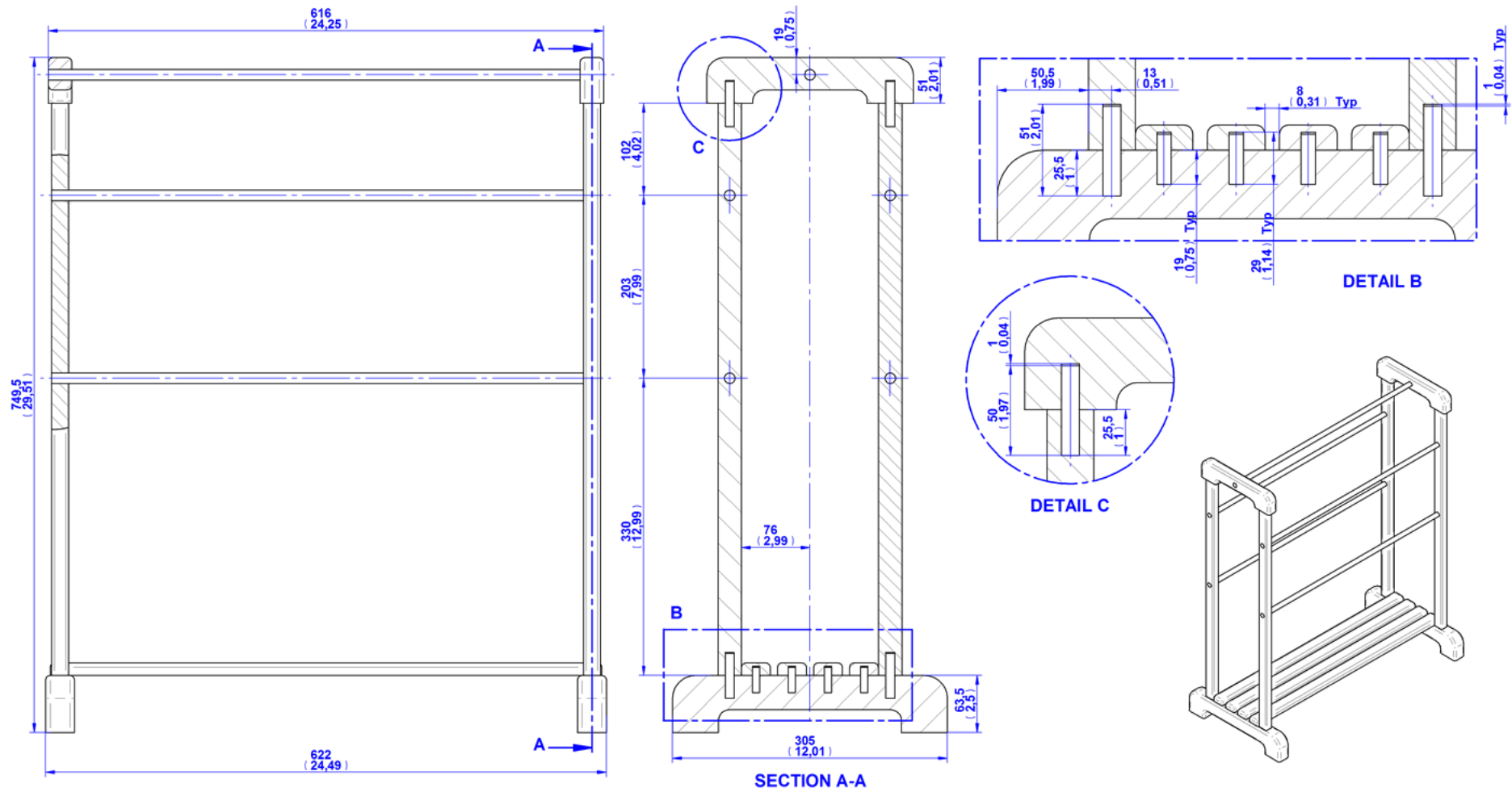
The measurements are given in millimeters, while the measurements given in inches are in brackets (1 inch = 25, 4 mm).

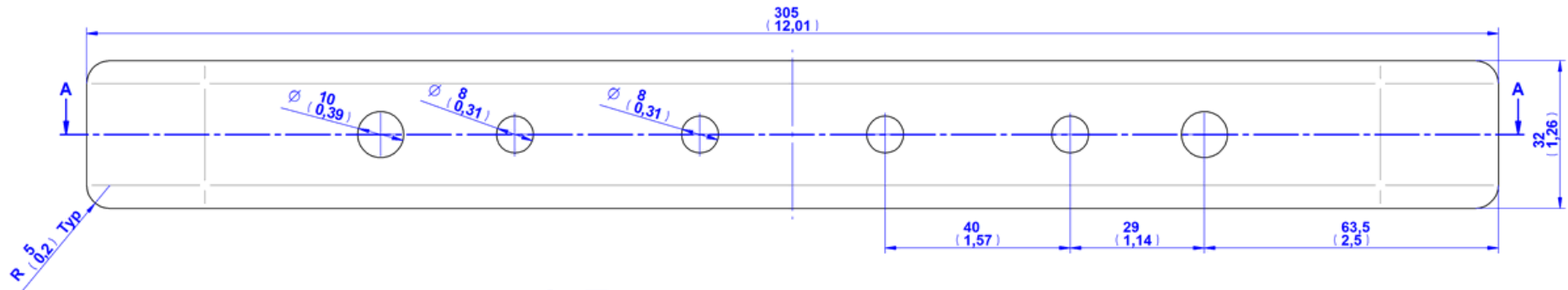
Towel stand plan - Parts list



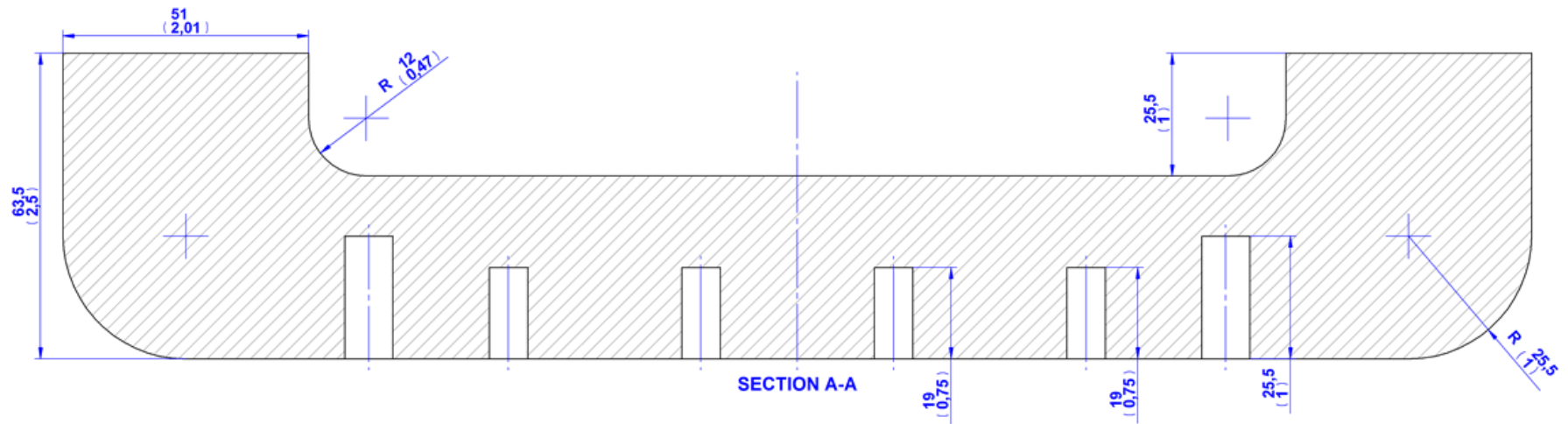
Item Number	Title	Quantity	Material
1	Foot	2	Wood
2	Upright	4	Wood
3	Frame top	2	Wood
4	Dowel D12 x 609mm	4	Wood
5	Dowel D12 x 616mm	1	Wood
6	Bottom plank	4	Wood
7	Dowel D10 x 50mm	8	Wood
8	Dowel D8 x 28mm	8	Wood

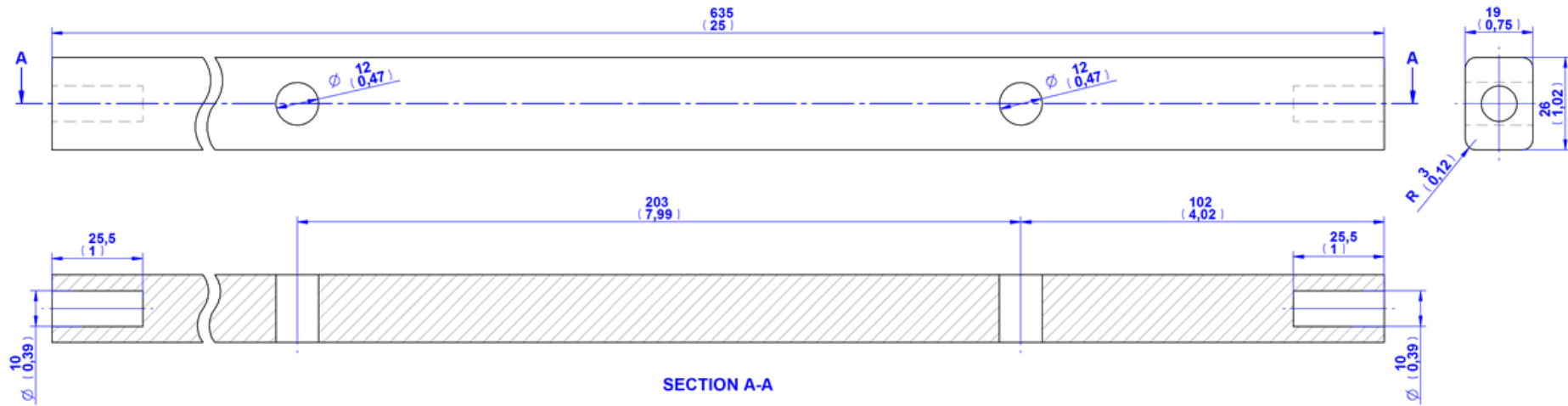
Towel stand plan - Assembly 2D drawing



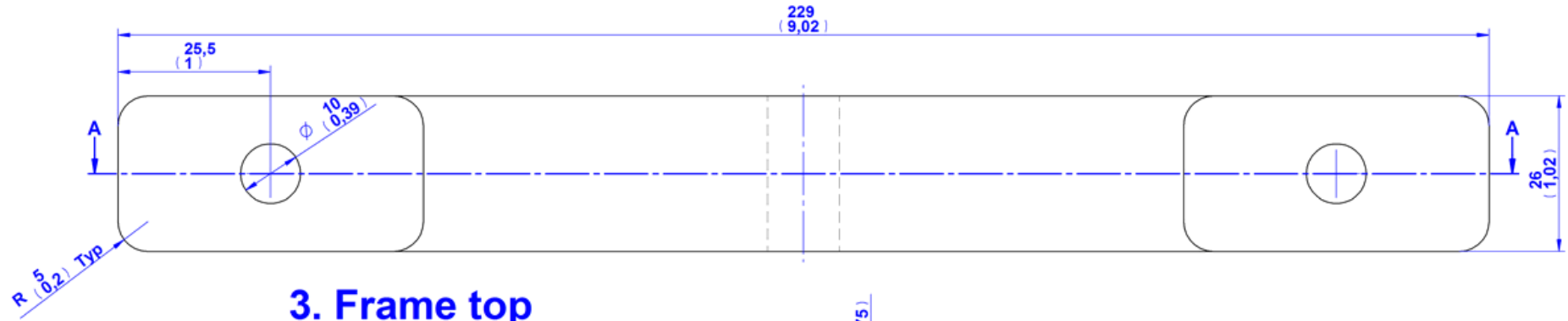


1. Foot

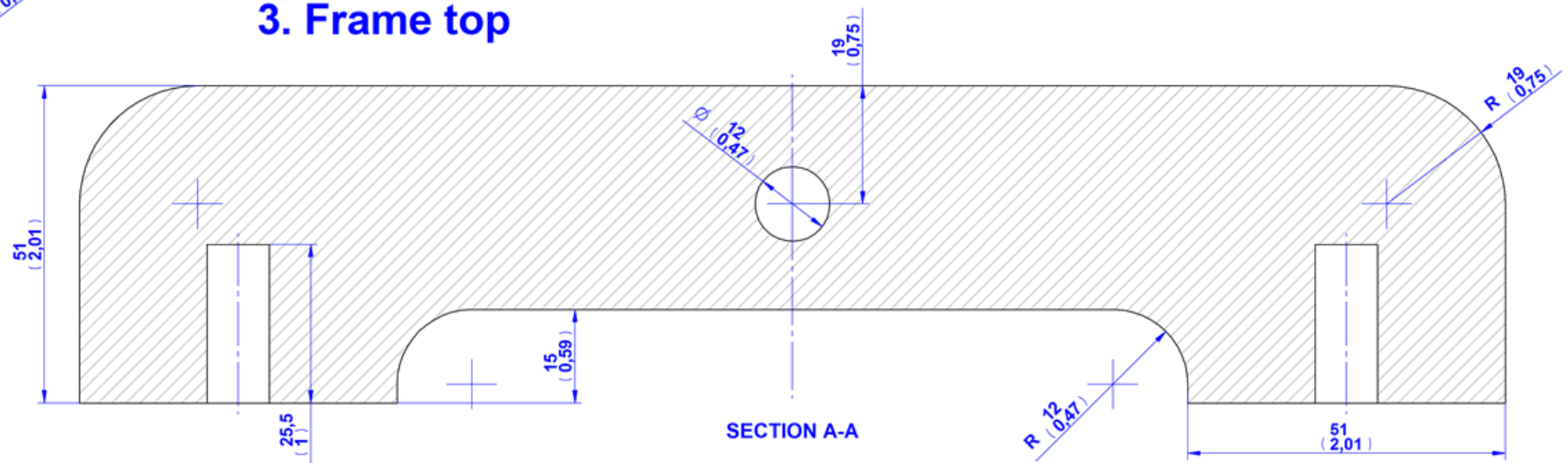




2. Upright

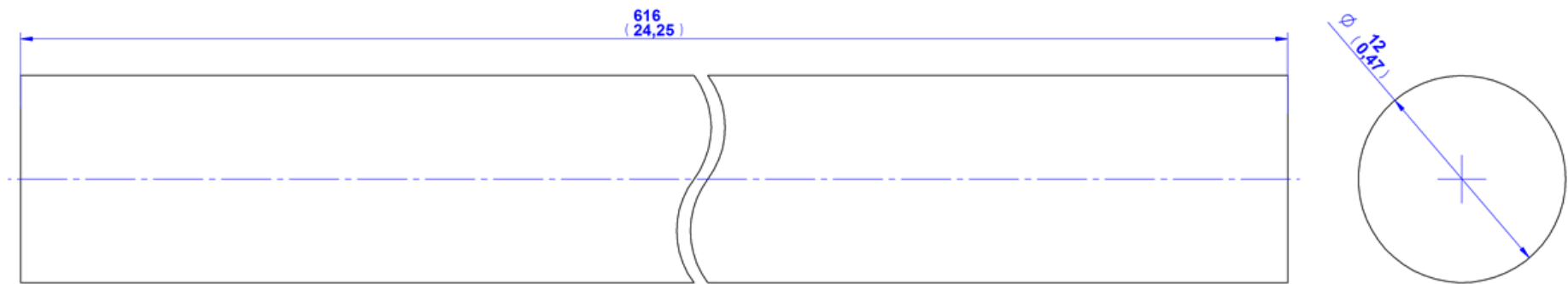


3. Frame top

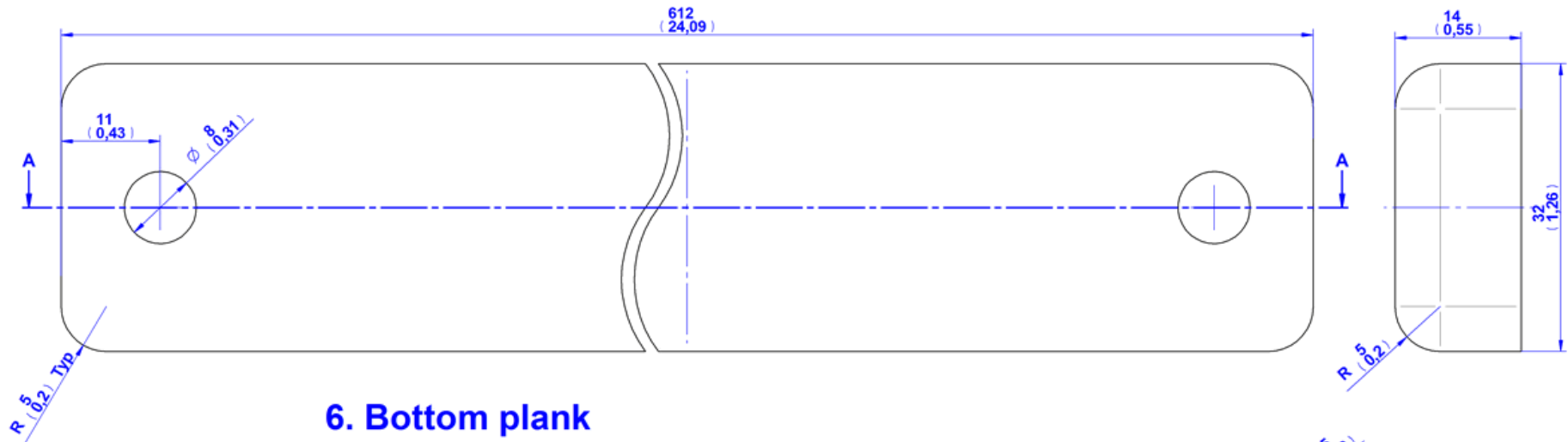




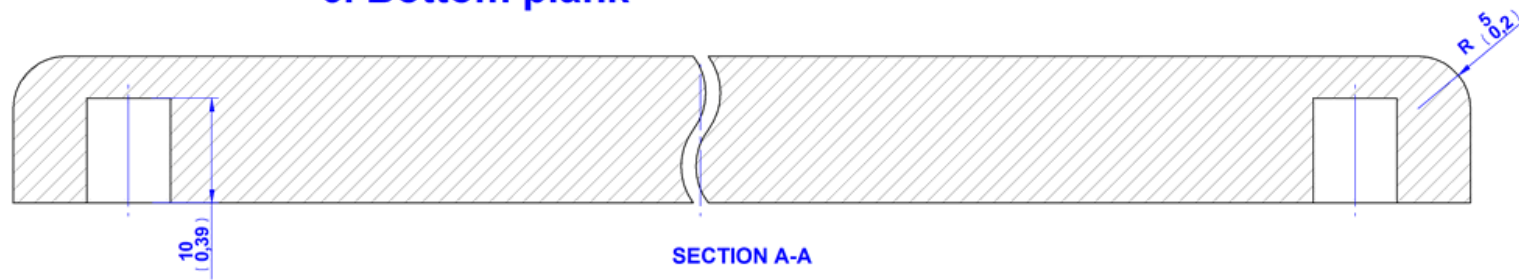
4. Dowel D12 x 609mm

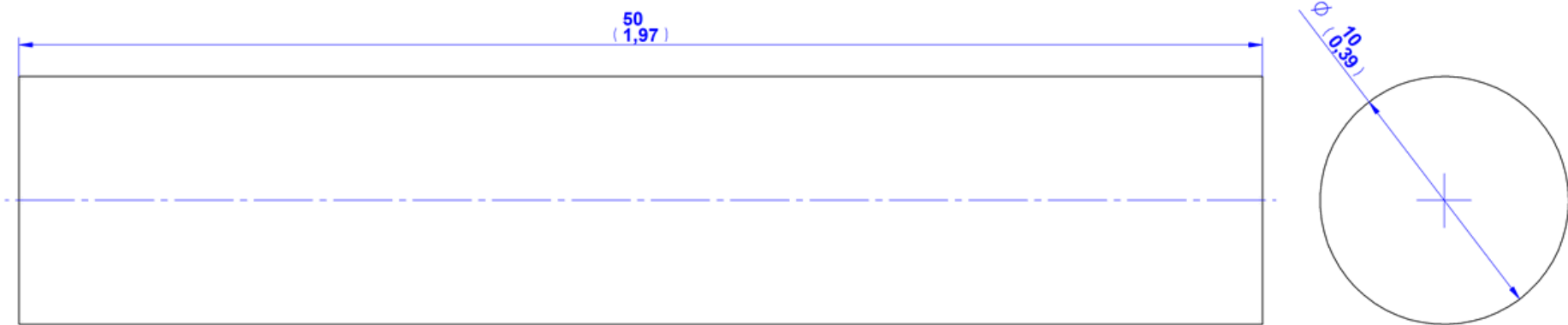


5. Dowel D12 x 616mm

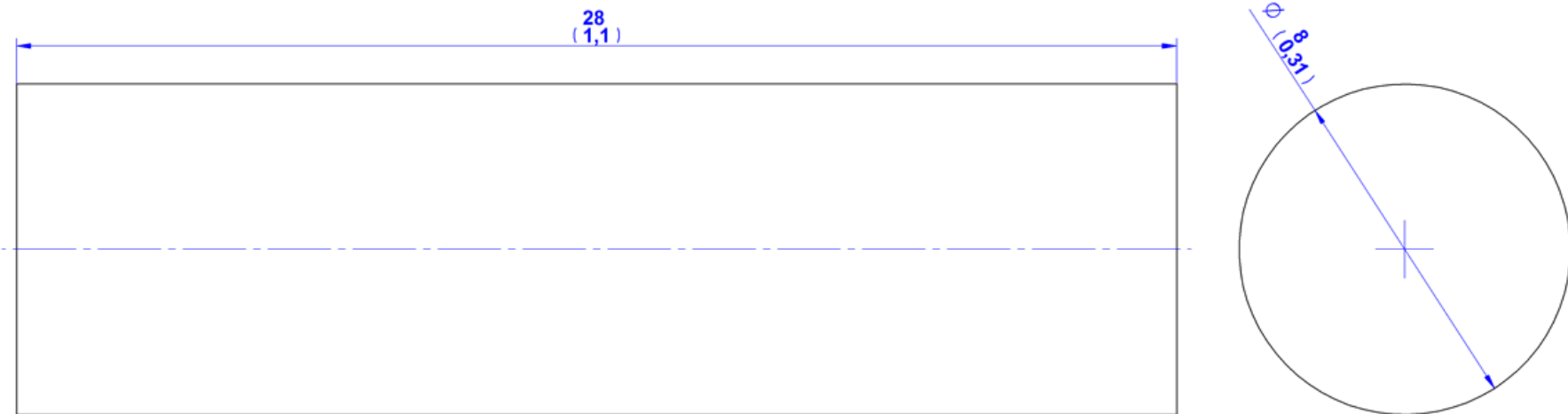


6. Bottom plank





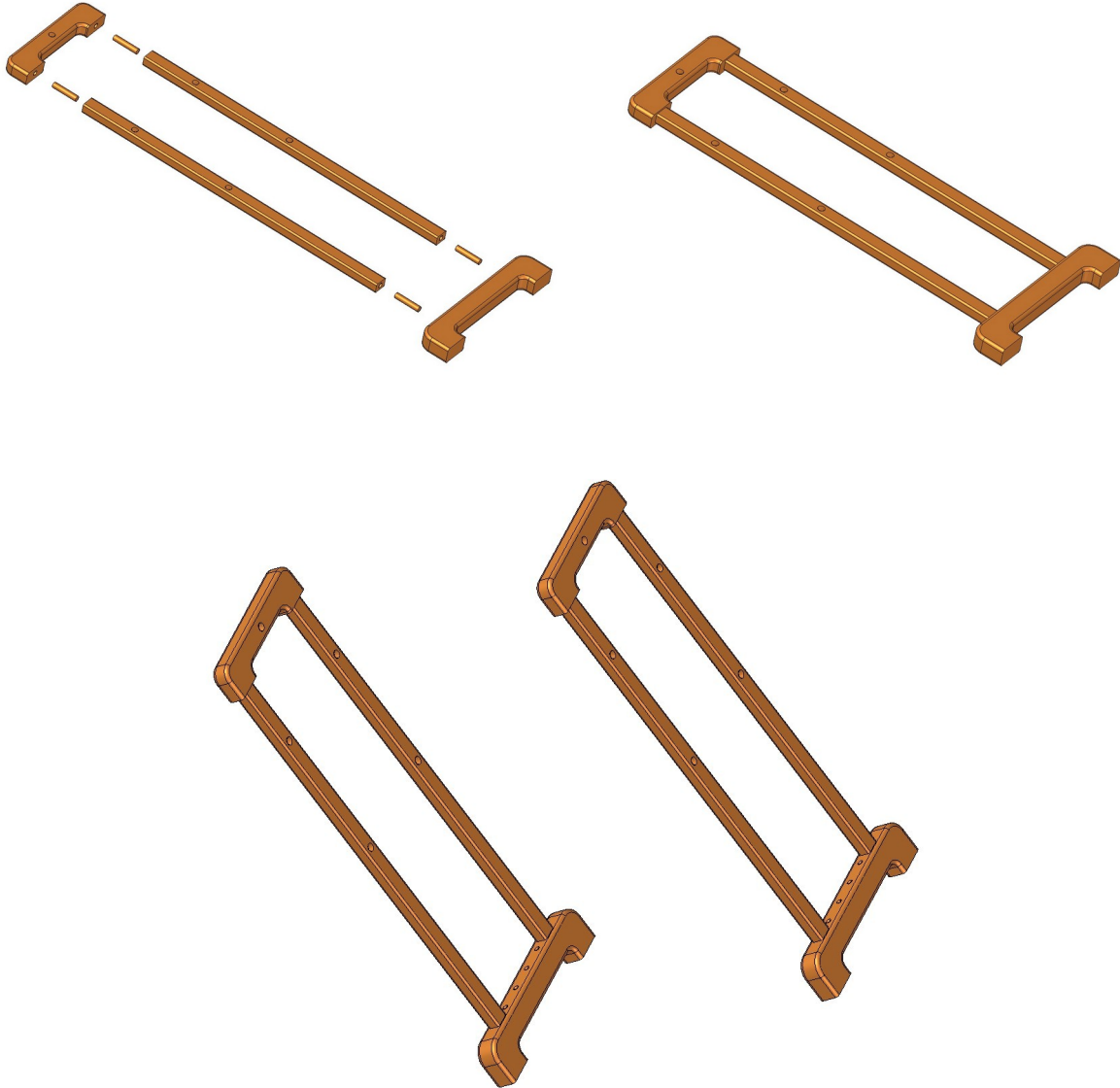
7. Dowel D10 x 50mm



8. Dowel D8 x 28mm

Assemblage images

1.



2.



3.

