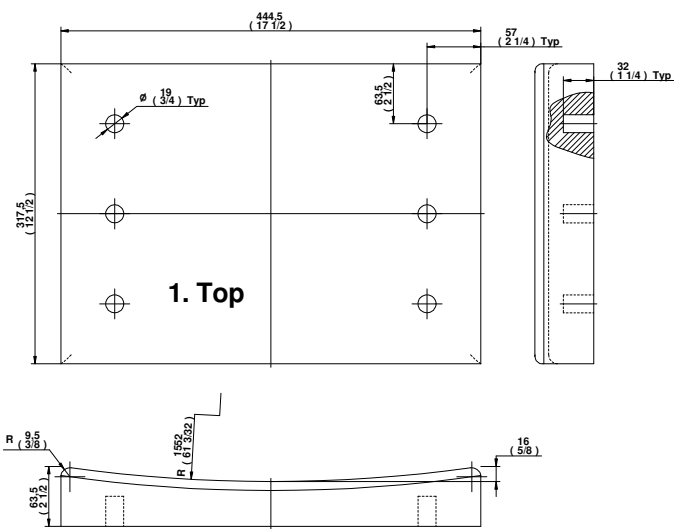
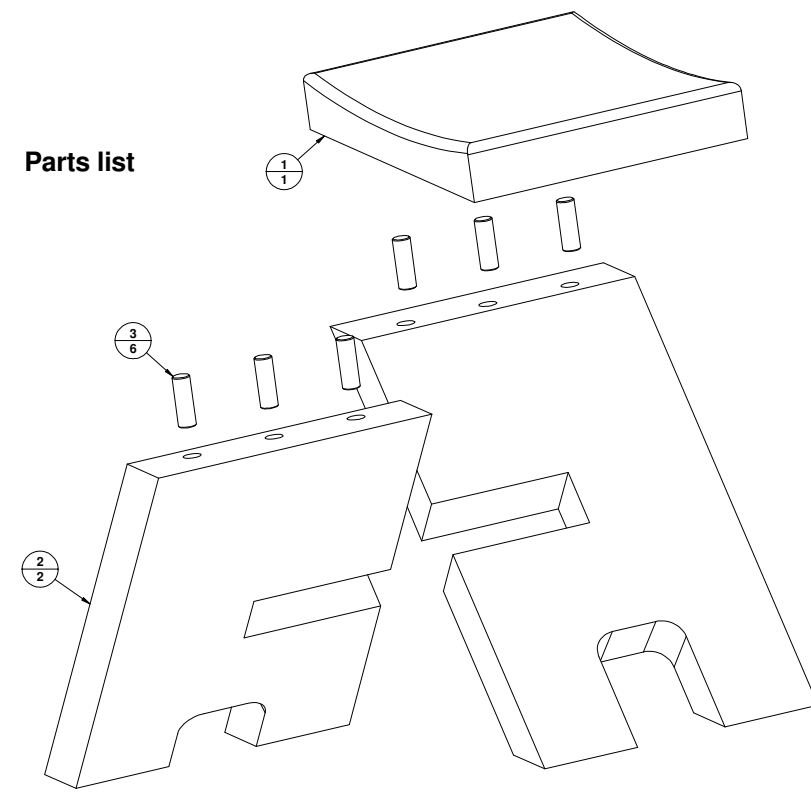


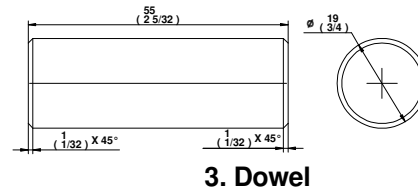
Assembly drawing

Parts list

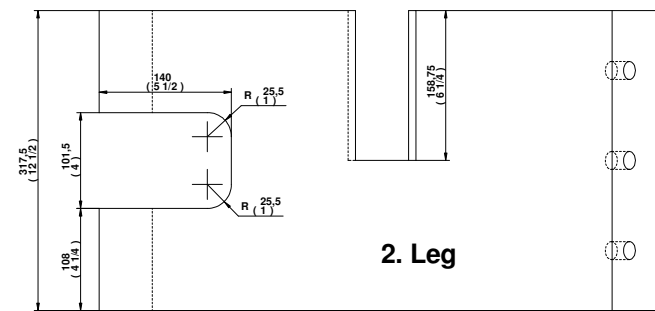


1. Top

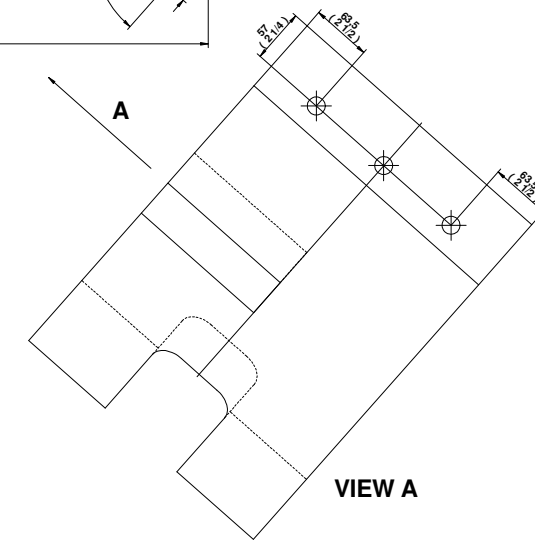
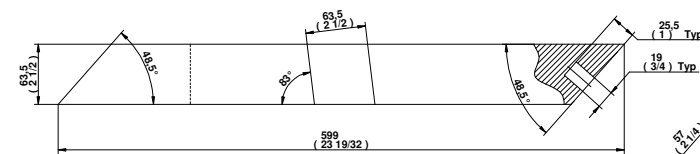
# Compact stool



3. Dowel



2. Leg



VIEW A