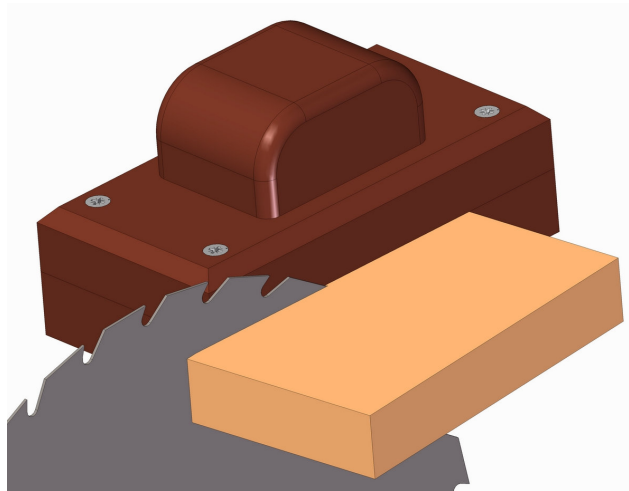


## Wedge cutting jig plan

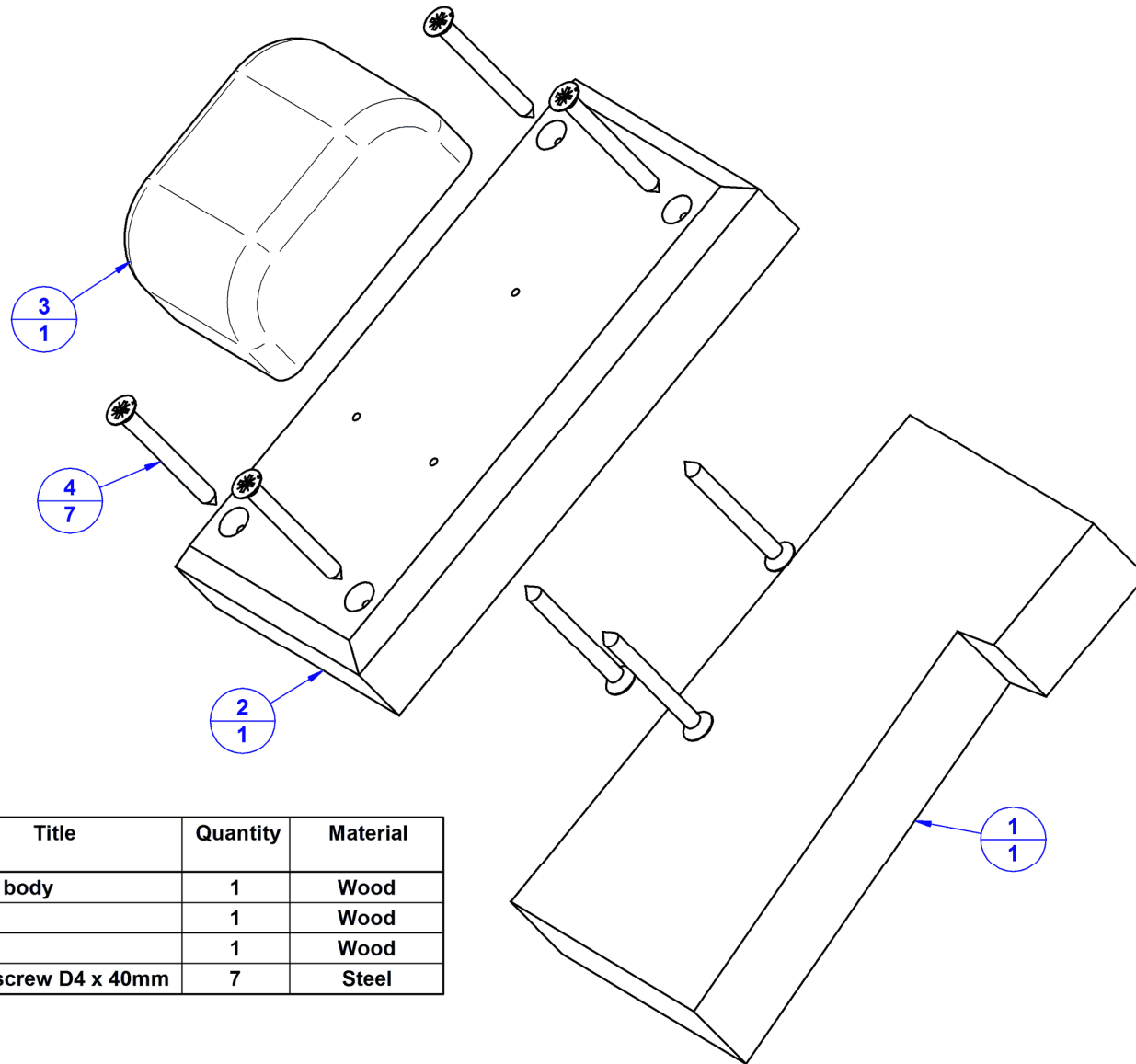
Wedge cutting jig is one of the simplest and yet indispensable woodworking tool, enabling one to cut wood wedges and shims and with a variety of thicknesses.

The wedges have been in use since prehistoric times to split logs and rocks, and even today, this tool has countless uses, from splitting, lifting, or tightening, to leveling, then securing a hammer head onto handle, augmenting clamps while gluing to holding door and windows while mounting. So, each store or workshop will need this wedge cutting jig for sure.



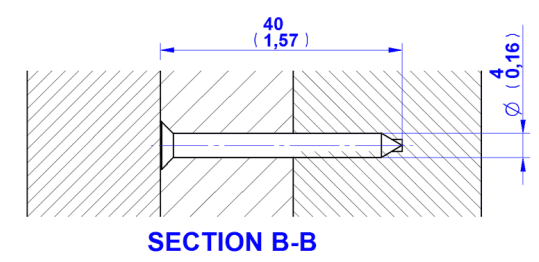
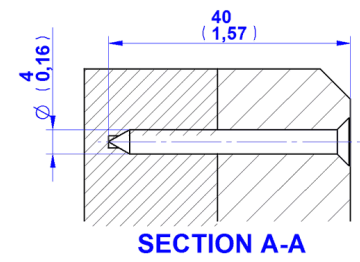
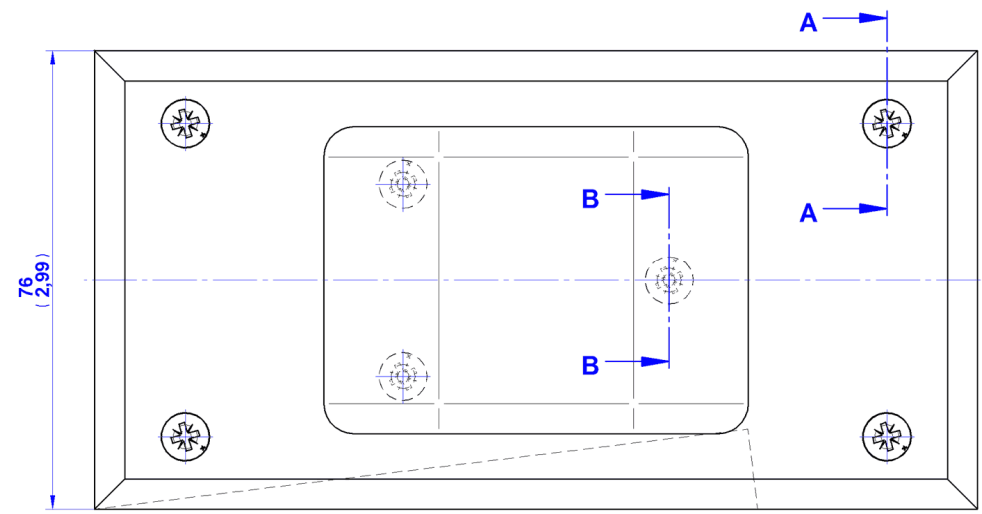
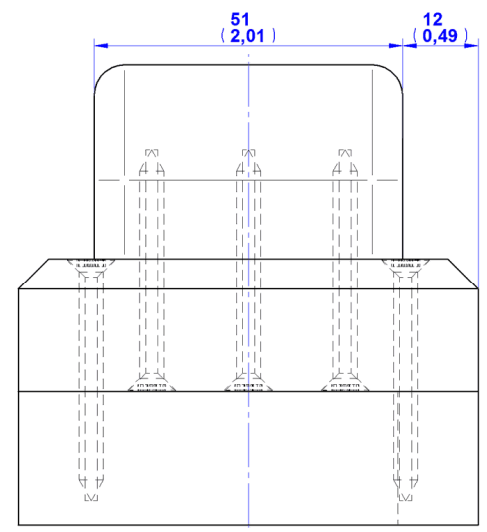
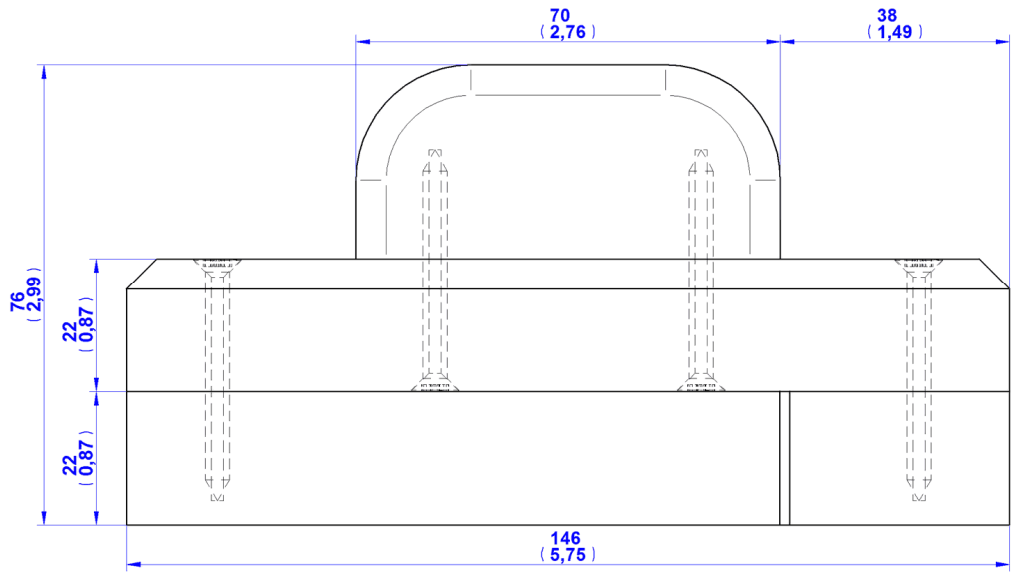
The measurements are given in millimeters, while the measurements given in inches are in brackets (1 inch = 25, 4 mm).

Wedge cutting jig plan – Parts list

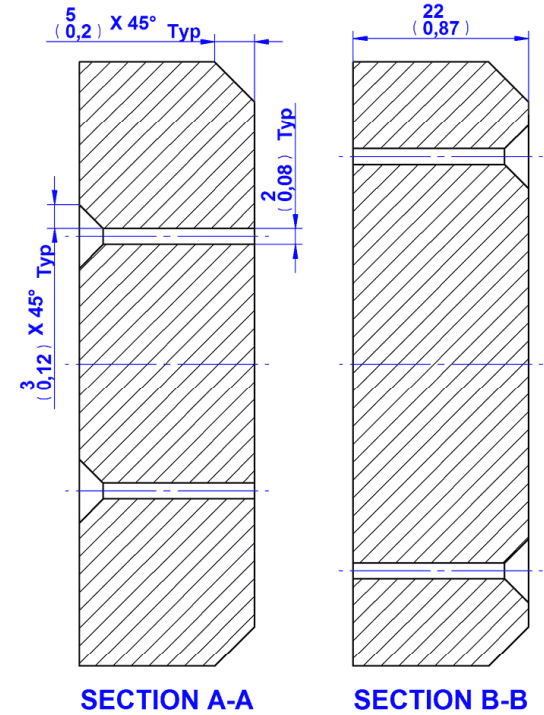
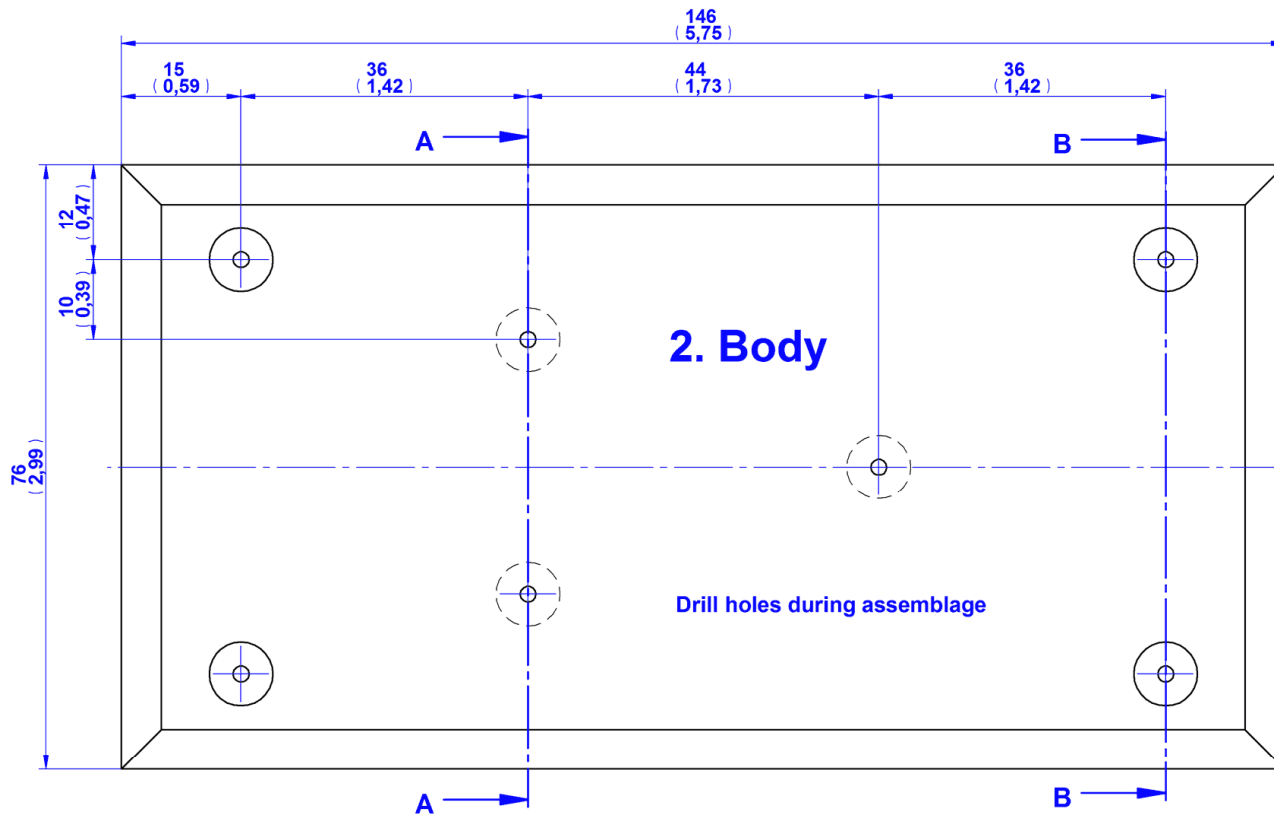


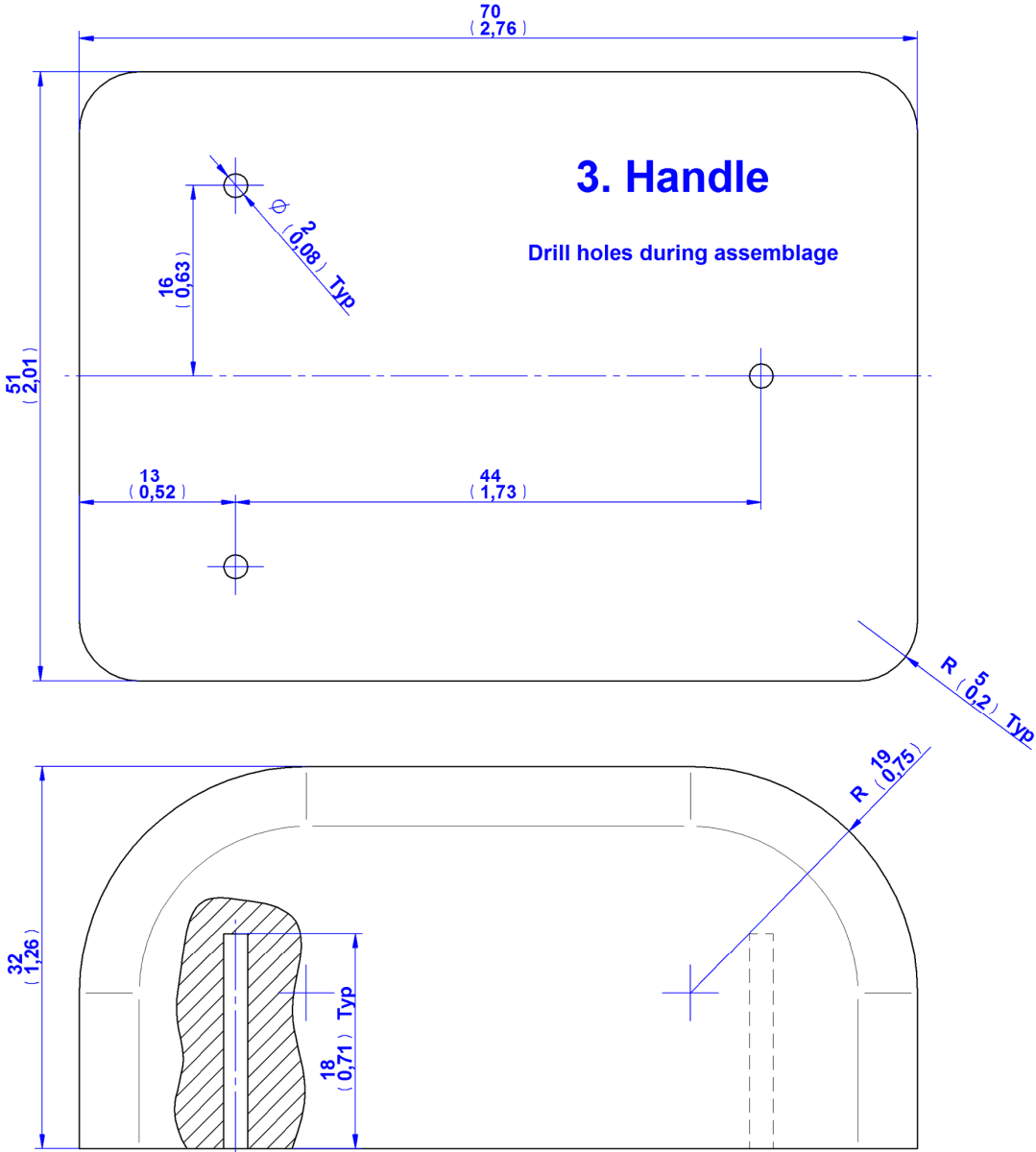
Item Number	Title	Quantity	Material
1	Wedge body	1	Wood
2	Body	1	Wood
3	Handle	1	Wood
4	Wood screw D4 x 40mm	7	Steel

Wedge cutting jig plan – Assembly drawing







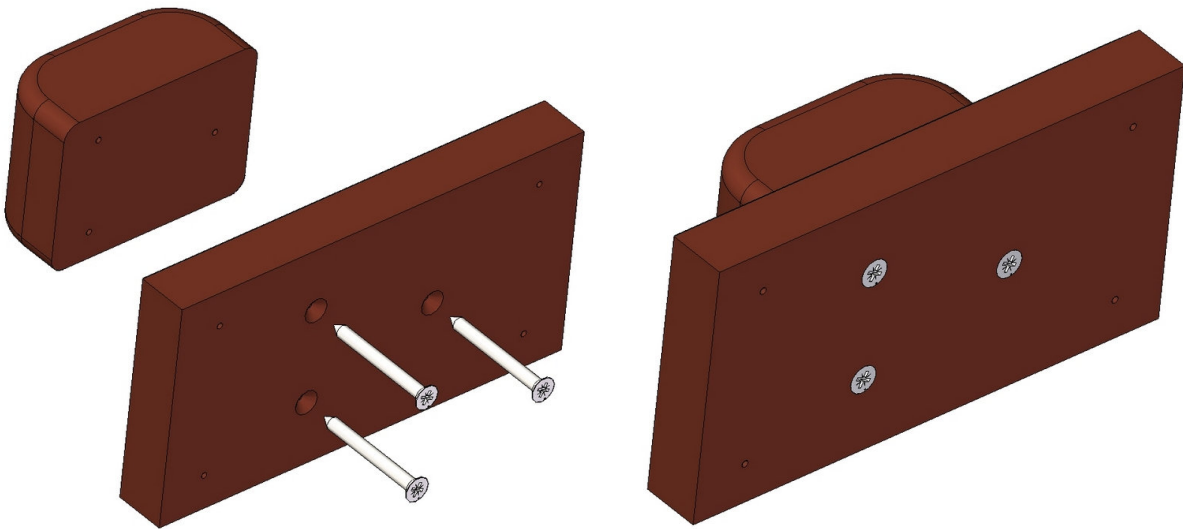


Wedge cutting jig plan – Standard parts



## Assemblage instructions

1. Fasten the Handle (part 3) to the Body (part 2) using Woodscrews D4 x 40mm.



2. Fasten the Wedge body (part 1) to the subassembly made in previous step with Woodscrews D4 x 40mm.

