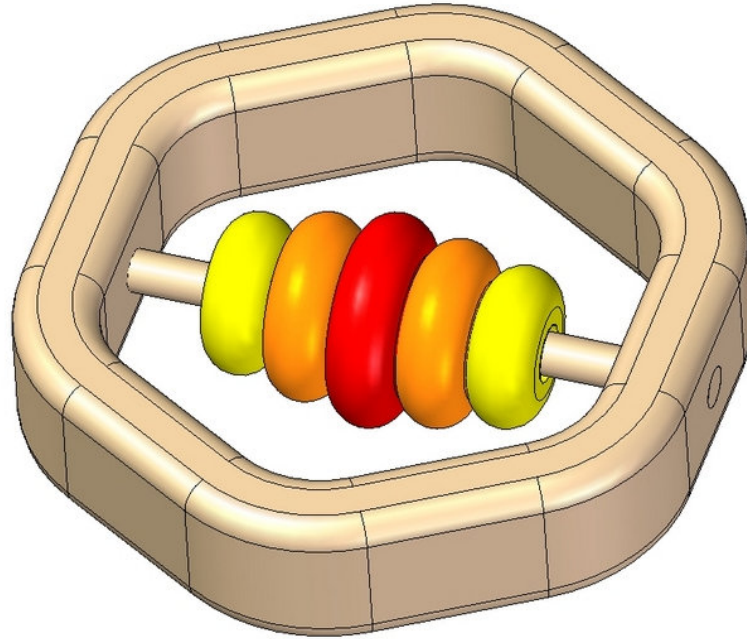


Wooden ring baby rattle toy



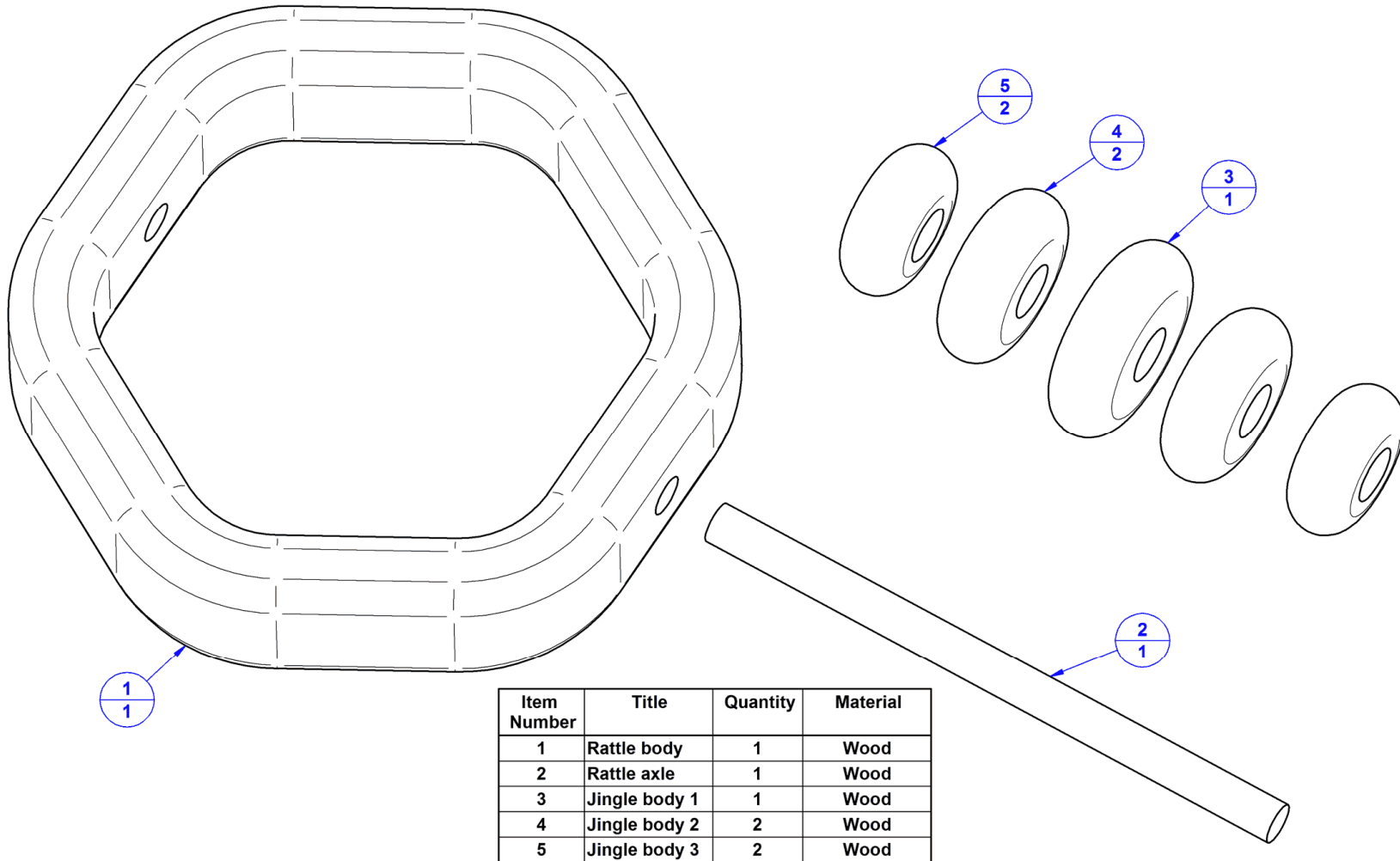
Since the ancient times until today rattles have always been the very first toys that babies played with. The function of a rattle is not just to attract baby's attention and entertain her – its role is much more important, and that is to help the baby to develop a sense of vision, hearing and touch, as well as motor skills and motion coordination.

A good rattle should be simple and with contrasting colors. Sound of the rattle should be clear and distinct, so the baby can recognize it and distinguish it from the other sounds in her surroundings. The colors should be vivid and contrasting (for example red and yellow). The baby in 4-5 months of age starts consciously to take various objects in her hands and almost instantly put them in her mouth. This way, she is mastering the hand movement, hand-eye coordination and become conscious of the sound that she make when she is shaking the rattle.

Wooden ring baby rattle in this plan has rounded shape and gentle curved edges, so it will be quite pleasant for your baby to touch it. We recommend using red and yellow colour to paint it, because they are vivid and contrastive colours that stimulate eyesight of a child. The rattle has five differently colored jingles on the central rattle axle which moves independently and thus make nice wooden sound that will occupy baby's attention.

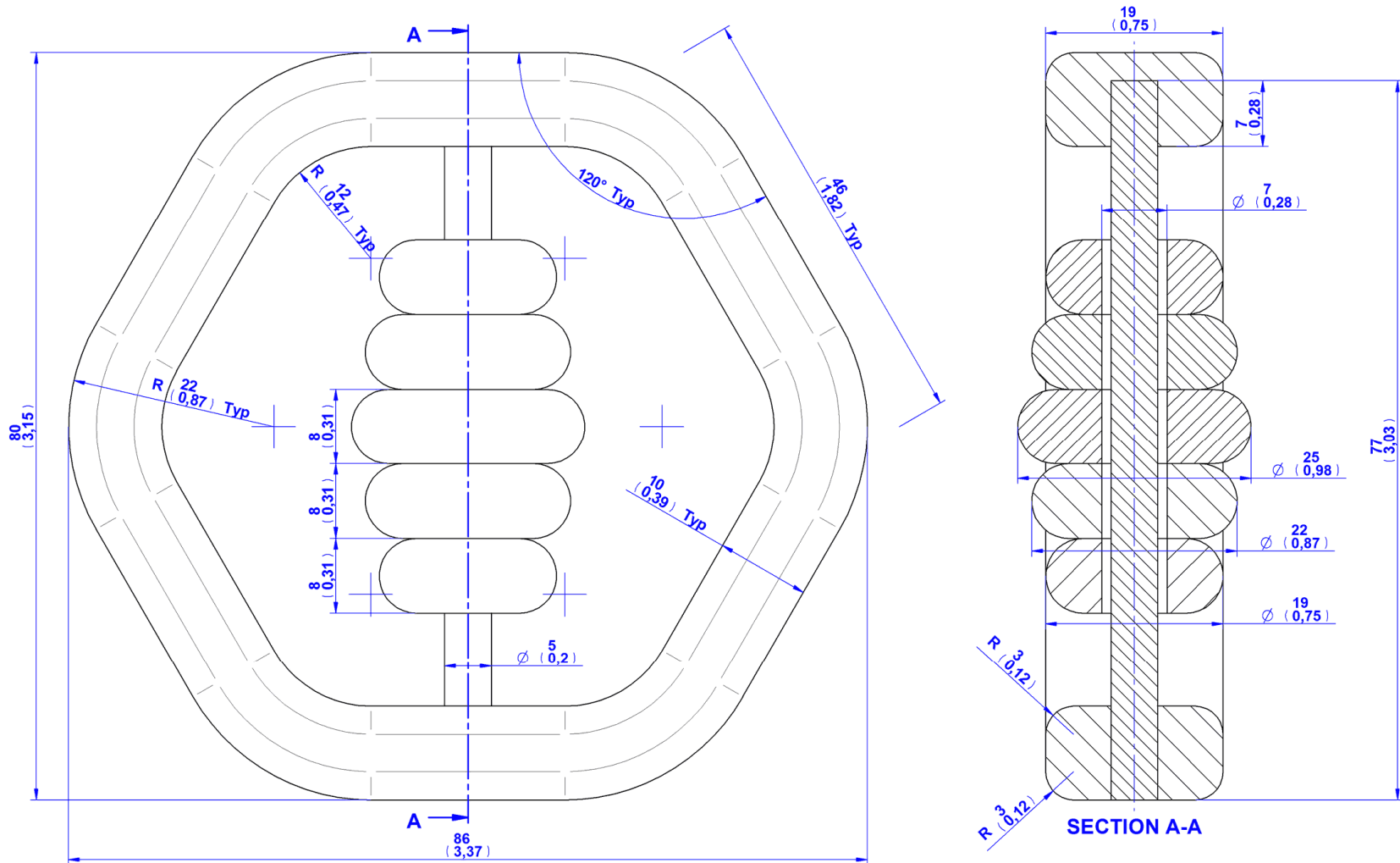
A wood that you plan to use for making Wooden ring baby rattle should be firm but light, and the painting colors should be child-safe. You should be well informed about the colors that you will use, to ensure that they are nontoxic and safe for your baby.

Wooden ring baby rattle toy – Parts list



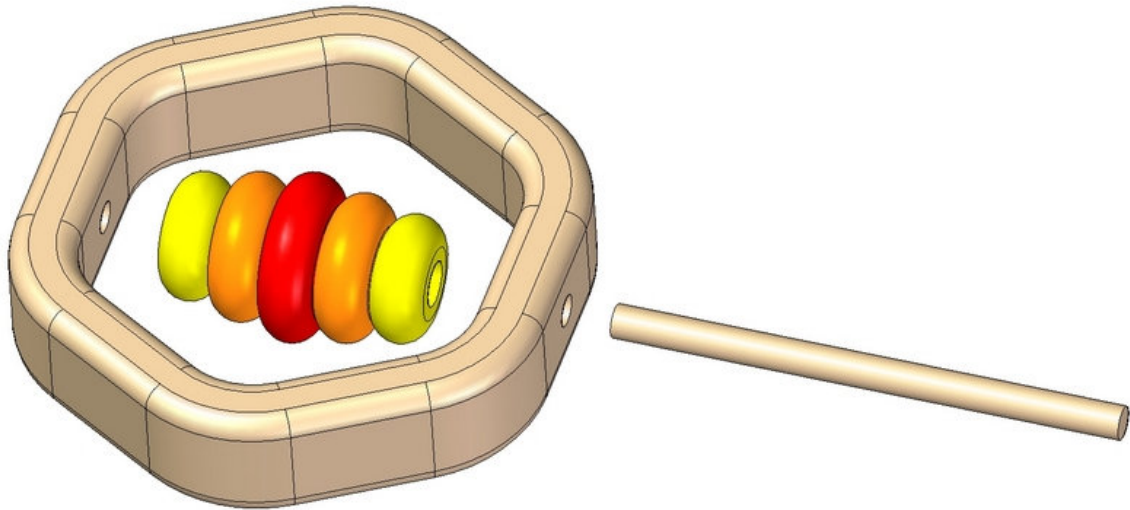
Item Number	Title	Quantity	Material
1	Rattle body	1	Wood
2	Rattle axle	1	Wood
3	Jingle body 1	1	Wood
4	Jingle body 2	2	Wood
5	Jingle body 3	2	Wood

Wooden ring baby rattle toy – Assembly drawing



Assemblage instructions

Push the Rattle axle (part 2) through the hole on one side of the Rattle body (part 1), then slip the Jingle body 1 (part 3), Jingle bodies 2 (part 4) and Jingle bodies 3 (part 5) on the Rattle axle (part 2) and push it through the other hole on the Rattle body.



Now, put some glue into the stopped hole on the Rattle body and on the Rattle axle and push the Rattle axle on its position (see the picture below).

